

CXA-0321 (5W DUAL OUTPUTS WITH DIMMING FUNCTION)

DESCRIPTION :

This low profile DC to AC Inverter is developed for dual lamps, low power LCD back-light. Application includes industrial PC and LCD monitor.

APPLICABLE LCD:

5 to 8 inches double lamp type
 Lamp Voltage 375Vrms
 Lamp Current 5mArms
 Lamp Start Up Voltage 1100Vrms

FEATURES :

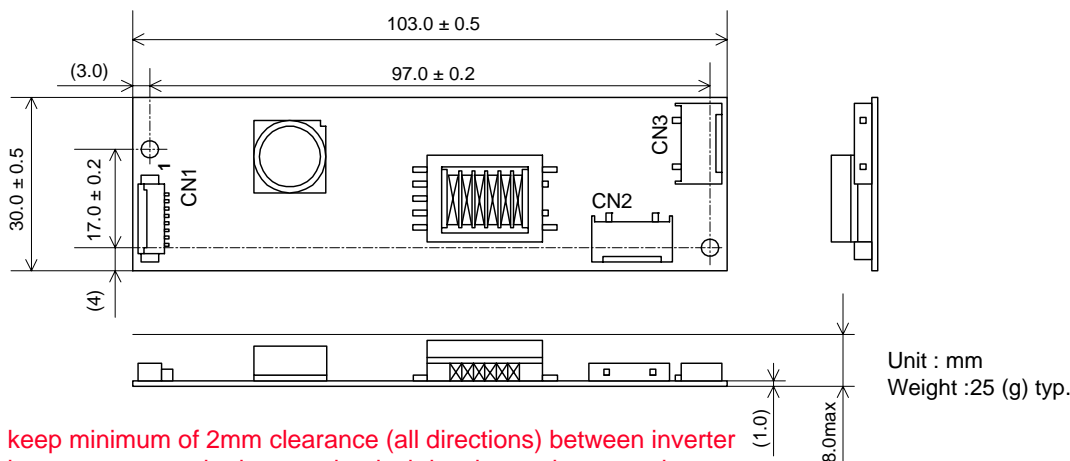
Wide operating temperature range
 Alarm signal function
 PWM dimming type.
 Silicon Coating in High Voltage area

TEMPERATURE & HUMDITY :

Operating Temperature Range -10°C ~ +70°C
 Storage Temperature Range -30°C ~ +85°C
 Humidity 95 %RH max



DIMENSIONS :



Note 1: Please keep minimum of 2mm clearance (all directions) between inverter high voltage area as marked on mechanical drawing and any conductors.

No.	Part Description	Qty.	Note	
1	PWB	1	UL94V-0	t=1.0mm
2	Connector CN1	1	53261-0890	(Molex)
3	Connector CN2 , CN3	2	SM02(8.0)B-BHS-1	(JST)

CN1 : 53261-0890 (Molex)

Pin	Symbol	Note
CN1-1	Vin	5V
CN1-2		
CN1-3	GND	0 V
CN1-4		
CN1-5	Vrmt	0 ~ 0.4V : OFF 2.5V ~ Vin : ON
CN1-6	Vbr	0 ~ 2.5V
CN1-7	GND	0V
CN1-8	Vst ^{*1}	0V / 5V

CN2 : SM02(8.0)B-BHS-1 (JST)

Pin	Symbol	Note
CN2-1	Vhigh1	375Vrms (5mArms)
CN2-2	N.C.	-
CN2-3	Vlow1	0V

CN3 : SM02(8.0)B-BHS-1 (JST)

Pin	Symbol	Note
CN3-1	Vhigh2	375Vrms (5mArms)
CN3-2	N.C.	-
CN3-3	Vlow2	0V

*1. This is an output pin and it is active high (+5V) if any Lamp opens / fails

Power Systems – The Power Solution

Web: www.Power-Systems.de
 Email: Info@Power-Systems.de

Address: Dörnet 8 ; 74360 Ilfeld-Auenstein / Germany
 Tel. : + 49 / 70 62 / 67 59 - 6
 Fax: + 49 / 70 62 / 67 59 - 80

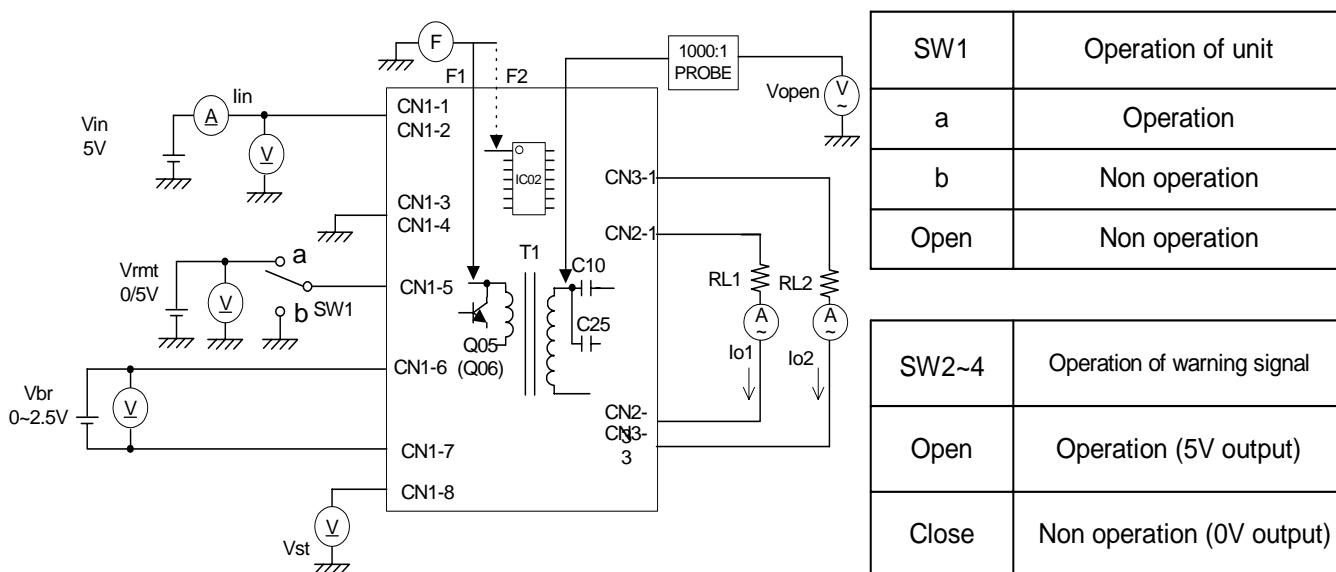
CXA-0321 (5W DUAL OUTPUTS WITH DIMMING FUNCTION)

ELECTRICAL CHARACTERISTICS :

Parameters	Symbol	Conditions				Specifications			Unit	Note	
		Vin (V)	Vrmt (V)	Vbr (V)	Ta (°C)	RL1 (kΩ) RL2 (kΩ)	min.	typ.			max.
Output Current	Iout1 / Iout2	5	5	0	23 ± 5	75	4.5	5.0	5.5	mArms	Max Brightness.
		5	5	3	23 ± 5	75	TBD	2.4	TBD	mArms	Min Brightness.
Input Current 1	Iin1	5	5	0	23 ± 5	75	-	1.0	TBD	Adc	
Input Current 2	Iin2	5	0	0	23 ± 5	75	-	-	2	mAdc	
Frequency	F1	5	5	0	23 ± 5	75	TBD	42	TBD	kHz	
Frequency (Duty)	F2	5	5	3	23 ± 5	75	TBD	350	TBD	Hz	
Open Voltage	Vopen	5	5	0	23 ± 5	∞	TBD	1100	-	Vrms	
Alarm Signal (Note 4)	Vst	5	5	0	23 ± 5	75	4.5	5.0	5.5	Vdc	RL2 open
		5	5	0	23 ± 5	∞	4.5	5.0	5.5	Vdc	RL1 open
		5	5	0	23 ± 5	75	-	0	0.5	Vdc	Normal
		5	5	0	23 ± 5	75	-	0	0.5	Vdc	Normal

Note 2: In test circuit; if any of switches SW2, SW3 or SW4 opens, then the alarm signal will be activated (+5V).

TEST CIRCUIT :



Power Systems – The Power Solution

Web: www.Power-Systems.de
 Email: Info@Power-Systems.de

Address: Dörnet 8 ; 74360 Ilfeld-Auenstein / Germany
 Tel. : + 49 / 70 62 / 67 59 - 6
 Fax: + 49 / 70 62 / 67 59 - 80