

Features

- 2.54 mm pitch & height
- 2 to 6 precious metal contacts
- End-to-end stackable
- Twin hot contacts (symmetrical pad layout)
- Pick & place compatible
- High cycle life

- RoHS compliant* - see [processing information](#) on lead free modular contacts

70AA/Male - Modular Contact

Materials & Finishes

Insulator....Glass reinforced thermoplastic,
UL 94V-0 rated, black
Contact.....Copper alloy
Finish
UnderplatingNickel
Contact Area.....Gold

Operating Characteristics

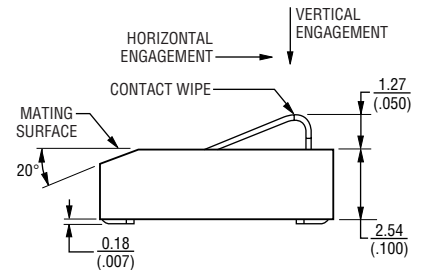
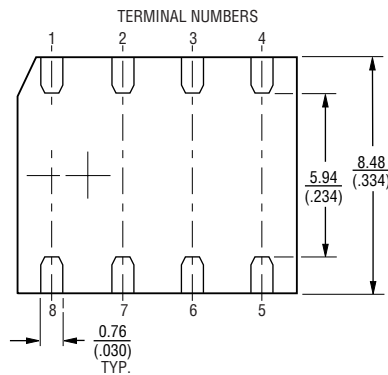
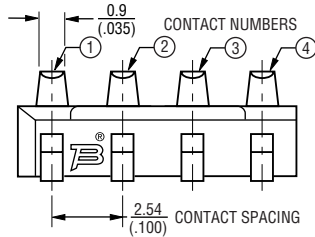
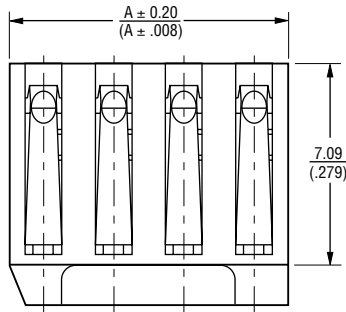
Electrical
Current Rating.....3 A/contact
Voltage Rating.....60 V
Contact Resistance25 mohms max.
Dielectric VoltageAC 500 V
Insulating Resistance ..1000 Mohms min.
Operating Temperature
.....-55 °C to 125 °C
Mechanical
Vibration.....30 G, 10-2K Hz,
0.06 inches D.A.
Shock.....100 G
Normal Force80 grams min.
at a working height of
0.25 mm (0.010 inches)
Durability.....10,000 cycles min.

How to Order

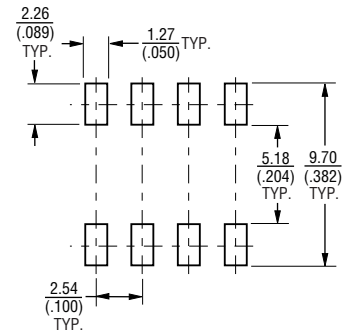
70AA J - 4 - M 0 G

Model _____
Terminal Style _____
J = SMT
Number of Contacts (N) _____
2 through 6
Gender _____
M = Male
Options _____
0 = Standard
Packaging Option _____
= Tube
G = Embossed Tape (750 pcs. per reel)

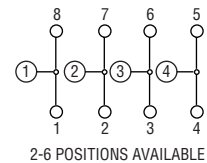
Product Dimensions



Recommended PWB Layout



Electrical Schematic



Number of Contacts	Dimension A
2	5.00 (.197)
3	7.54 (.297)
4	10.20 (.397)
5	12.62 (.497)
6	15.16 (.597)

TOLERANCES: $\frac{0.3}{(.012)}$ UNLESS OTHERWISE NOTED

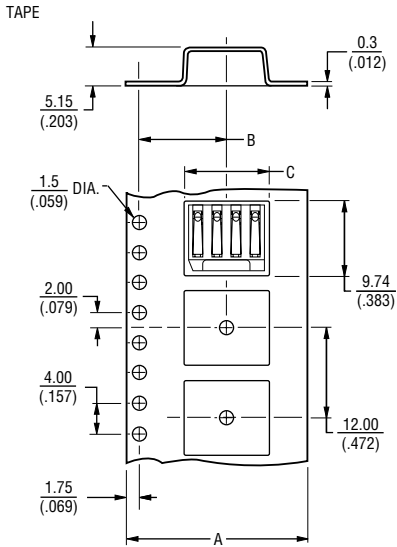
DIMENSIONS: $\frac{MM}{(INCHES)}$

*RoHS Directive 2002/95/EC Jan 27 2003 including Annex.
Specifications are subject to change without notice.
Customers should verify actual device performance in their specific applications.

70AA/Male - Modular Contact

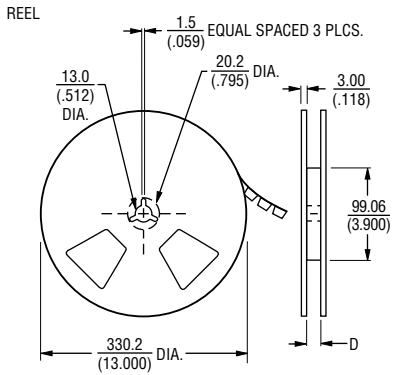
BOURNS®

Packaging Specifications



No. of Contacts	Dimension A	Dimension B	Dimension C	Dimension D
2	16.0 (.630)	7.5 (.296)	5.64 (.222)	16.4 (.646)
3	16.0 (.630)	7.5 (.296)	8.19 (.323)	16.4 (.646)
4	24.0 (.945)	11.5 (.453)	10.4 (.409)	24.4 (.961)
5	24.0 (.945)	11.5 (.453)	12.95 (.510)	24.4 (.961)
6	24.0 (.945)	11.5 (.453)	15.5 (.610)	24.4 (.961)

DIMENSIONS: $\frac{\text{MM}}{\text{(INCHES)}}$



REV. 07/10

Specifications are subject to change without notice.
Customers should verify actual device performance in their specific applications.