

10 Base-T Interface Module

EPE6192-M

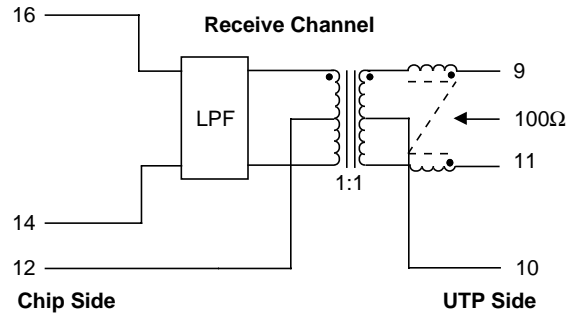
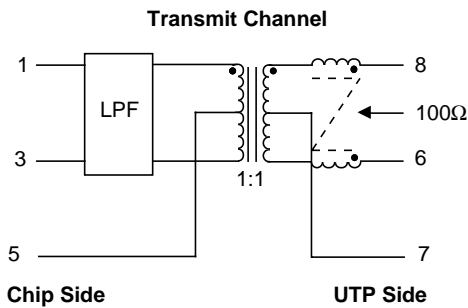
- Operating Temperature Range: -40°C to +85°C •
- General purpose 10 Base-T Filter Module •
- Robust construction allows toughest reflow processing •
- Complies with or exceeds IEEE 802.3, 10 Base-T Requirements •

Electrical Parameters @

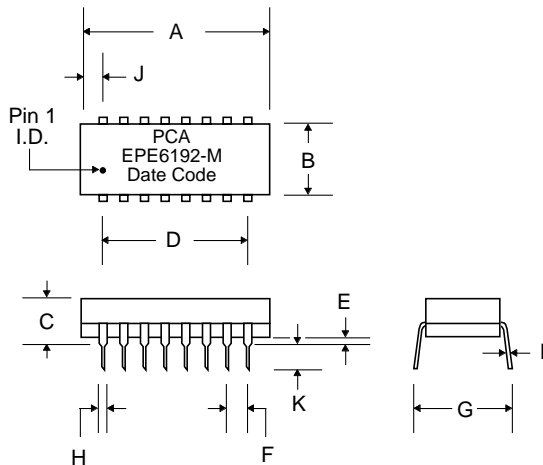
Cut-off Frequency (MHz)	Insertion Loss (dB Max.)		Return Loss (dB Min.)		Attenuation (dB Min.)								Common Mode Rejection (dB Min.)				Crosstalk (dB Min.)				
	Xmit	Rcv	Xmit	Rcv	@ 20 MHz		@ 25 MHz		@ 30 MHz		@ 40 MHz		@ 50 MHz		@ 100 MHz		@ 200 MHz		@ 1-10 MHz		
± 1.0 MHz	1-10 MHz	5-10 MHz																			
Xmit	Rcv	Xmit	Rcv	Xmit	Rcv	Xmit	Rcv	Xmit	Rcv	Xmit	Rcv	Xmit	Rcv	Xmit	Rcv	Xmit	Rcv	Xmit	Rcv	Xmit	Rcv
17	17	-1	-1	-15	-15	-7	-5	-18	-11	-30	-18	-35	-26	-45	-45	-30	-30	-20	-20	-35	-35

- Isolation : meets or exceeds 802.3 IEEE Requirements •
- Characteristic Filter Impedance : 100 Ω •

Schemati



Packag



Dimensio

Dim.	(Inches)			(Millimeters)		
	Min.	Max.	Nom.	Min.	Max.	Nom.
A	.910	.930		23.11	23.62	
B	.370	.390		9.40	9.91	
C	.225	.245		5.72	6.22	
D	.700	Typ.		17.78	Typ.	
E	.020	.030		.508	.762	
F	.100	Typ.		2.54	Typ.	
G	.470	.490		11.94	12.45	
H	.016	.022		.406	.559	
I	.008	.012		.203	.305	
J	.110	Typ.		2.79	Typ.	
K	.125	.150		3.18	3.81	