

# 10/100Base-TX Voice Over IP Magnetic Module EPF8237F

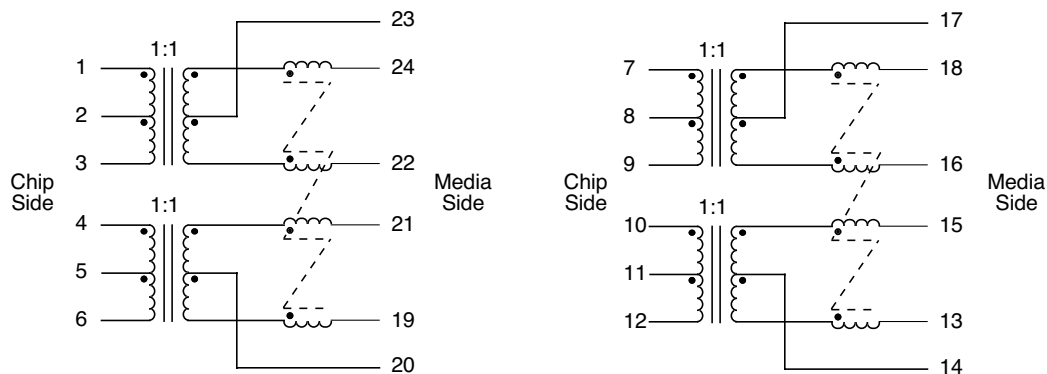
- Designed for Voice Over IP Applications
- Complies with or exceeds IEEE 802.3 af ANSI/3.263, 10/100Base-TX Standards
- Operating Temperature : 0°C to 70°C
- 350 mA Handling Capability
- 1500 Vrms Isolation
- Auto MDIX

### Electrical Parameters @ 25° C

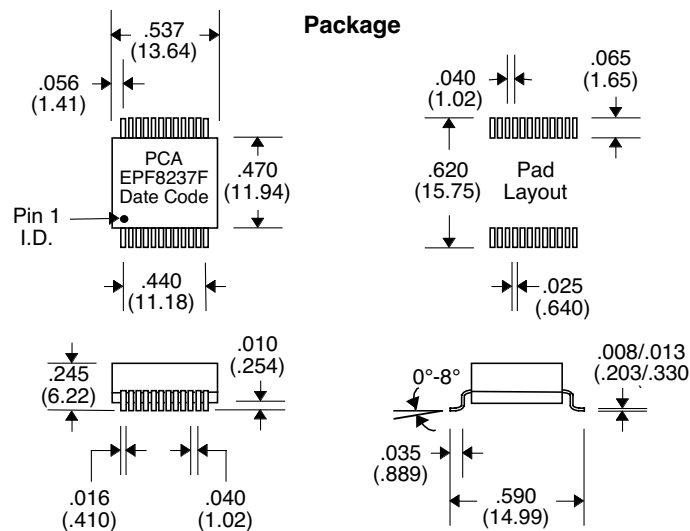
OCL ( $\mu$ H Min.) 8 mA DC Bias	Insertion Loss (dB Max.)			Return Loss (dB Min.)				CMRR (dB Min.)	Common to Differential (dB Min.)				Cross talk (dB Min.)		
	1-65 MHz	65-100 MHz	100-125 MHz	1-30 MHz	50 MHz	80 MHz	100 MHz		1-80 MHz	1 MHz	30 MHz	50 MHz	100 MHz	1-40 MHz	60 MHz
350 (Media Side)	-1	-1.1	-1.5	-16	-13	-12	-10	-	-60	-40	-35	-30	-40	-35	-30

• Rise Time : 1.75 nS Max. • Impedance : 100  $\Omega$  •

### Schematic



### Package



Unless Otherwise Specified Dimensions are in Inches /mm  $\pm$ .010 /.25