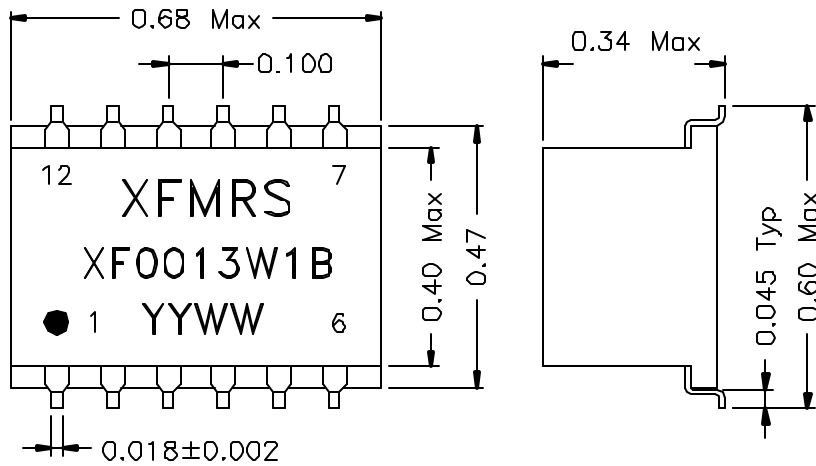
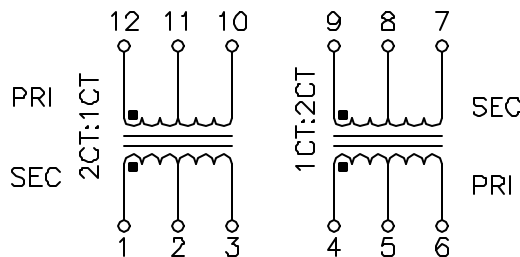


### 1. Dimensions:



### 2. Schematic:



### 3. Electrical Specifications: @25°C

Isolation Voltage: 1500 Vrms (PRI/SEC)

Turns Ratio: (P12-10):(P1-3)=1CT:2CT

(P4-6):(P9-7)=1CT:2CT

PRI OCL: 1.20mH MIN. @10KHz 0.1V

Cw/w: 50pF MAX. @100KHz, 0.1V (PRI/SEC)

PRI LL: 0.8uH MAX. @100KHz, 0.1V short SEC

PRI DC Resistance: 1.0 Ohms Max

SEC DC Resistance: 1.70 Ohms Max

DOC. REV: A/1

<b>XFMRS Inc</b>	Title: TRANSFORMER		
	UNLESS OTHERWISE SPECIFIED	P/N: XF0013W1B	REV. A
	TOLERANCES: .xxx ±0.010	DWN. 廖玉坤	May-06-00
	Dimensions in Inch	CHK. 李清儿	May-06-00
SHEET 1 OF 1	APP. BW	May-06-00	