



# Planar Magnetics

For Texas Instruments  
UCC3580



This planar transformer and planar inductor pair is designed specifically for the Texas Instruments UCC3580 family of PWM controllers.

The B0392-A transformer is engineered for use in single switch, forward topologies operating at 300 kHz. It is ideal for use in high-current telecom power supply applications that require high efficiency in a low-profile package.

The main winding of the B0430-A inductor serves as an output choke, while the auxiliary winding controls input current to the PWM.

Request free evaluation samples by contacting Coilcraft or visiting [www.coilcraft.com](http://www.coilcraft.com).

## Transformer

Part number <sup>1</sup>	Output power (W)	Output voltage (V)	Output current (A rms)	Primary inductance <sup>2</sup> min (μH)	Leakage inductance <sup>3</sup> max (μH)	DCR max (mOhms)	Pri/sec isolation (Vdc)
B0392-AL_	100	3.3	30.0	65.0	0.22	Primary: 13.5 Secondary: 0.4	1500

1. When ordering, please specify **packaging** code:

**B0392-AL D**

**Packaging:** D = 13" machine ready reel. EIA-481 embossed plastic tape (200 parts per full reel).

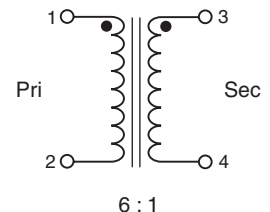
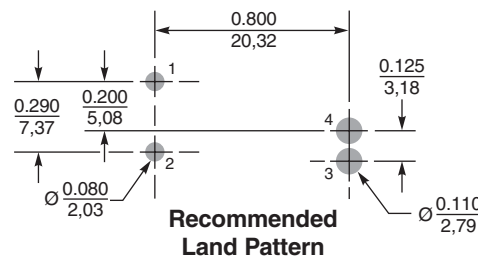
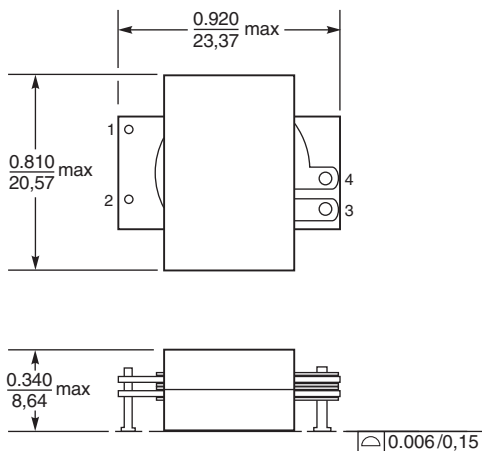
B = Less than full reel. In tape, but not machine ready. To have a leader and trailer added (\$25 charge), use code letter D instead.

2. Inductance measured on an Agilent/HP 4284 between pins 1 and 2 at 250 kHz, 0.1 Vrms, 0 Adc.

3. Leakage inductance measured between pins 1 and 2 at 100 kHz, 0.1 Vrms, 0 Adc with secondary pins shorted.

4. Storage and ambient operating temperature range: -40°C to +85°C.

5. Electrical specifications at 25°C.



**Terminations:** Matte-tin over nickel over brass  
**Tape and reel:** 200/13" reel 44 mm tape width

# Coilcraft®

Specifications subject to change without notice.  
Please check our website for latest information.

Document 357-1 Revised 11/07/05

1102 Silver Lake Road Cary, Illinois 60013 Phone 847/639-6400 Fax 847/639-1469

E-mail [info@coilcraft.com](mailto:info@coilcraft.com) Web <http://www.coilcraft.com>



# Planar Magnetics for Texas Instruments UCC3580

## Output Inductor

Part number <sup>1</sup>	Inductance <sup>2</sup> @ 0 Adc ( $\mu$ H)	I rated Adc	DCR max (mOhms)	Isolation <sup>3</sup> (Vdc)	Isat <sup>4</sup> (A)	Irms <sup>5</sup> (A)
B0434-AL_	2.0 $\pm$ 10%	30	Main: 1.9 Aux: 1450.0	1100	38	36

1. When ordering, please specify **packaging** code:

**B0434-AL $\bar{D}$**

**Packaging:** D = 13" machine ready reel. EIA-481 embossed plastic tape (200 parts per full reel).

B = Less than full reel. In tape, but not machine ready. To have a leader and trailer added (\$25 charge), use code letter D instead.

2. Inductance measured on an Agilent/HP 4284 between pins 3 and 4 at 10 kHz, 0.1 Vrms.

3. Isolation measured from pin 1 to pin 3.

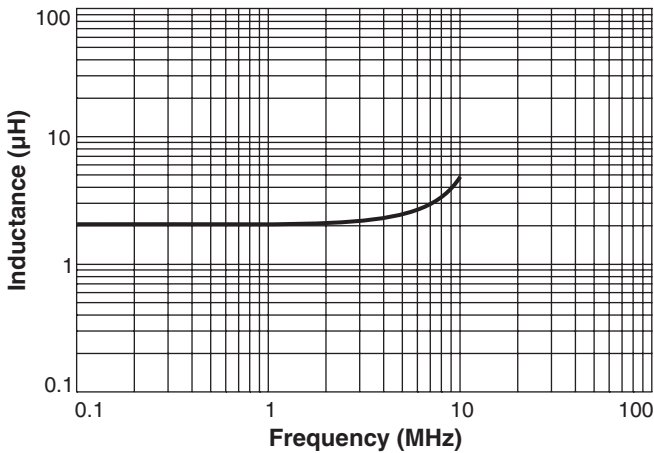
4. DC current at which inductance drops 10% (typ) from its value without current.

5. Average current for a 40°C rise above 25°C ambient.

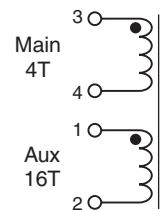
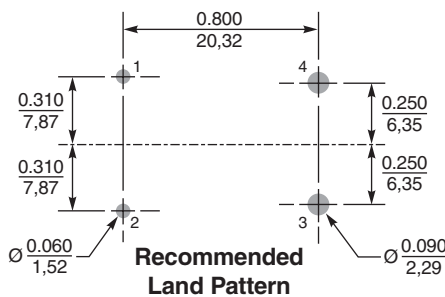
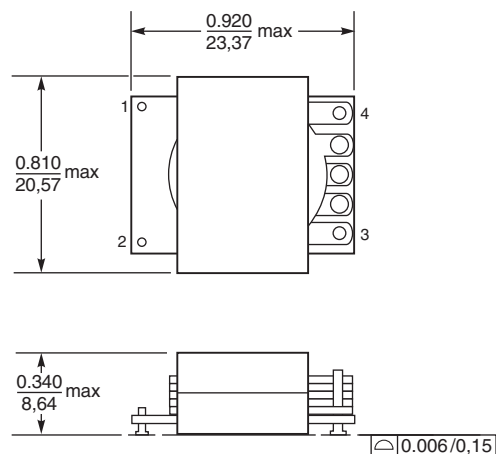
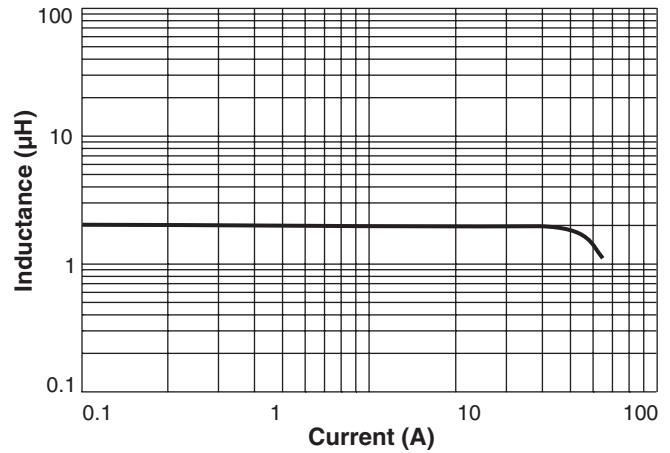
6. Storage and ambient operating temperature range: -40°C to +85°C.

7. Electrical specifications at 25°C.

### Typical L vs Frequency



### Typical L vs Current



**Terminations:** Matte-tin over nickel over brass  
**Tape and reel:** 200/13" reel 44 mm tape width



Specifications subject to change without notice.  
 Please check our website for latest information.

Document 357-2 Revised 11/07/05

1102 Silver Lake Road Cary, Illinois 60013 Phone 847/639-6400 Fax 847/639-1469

E-mail [info@coilcraft.com](mailto:info@coilcraft.com) Web <http://www.coilcraft.com>