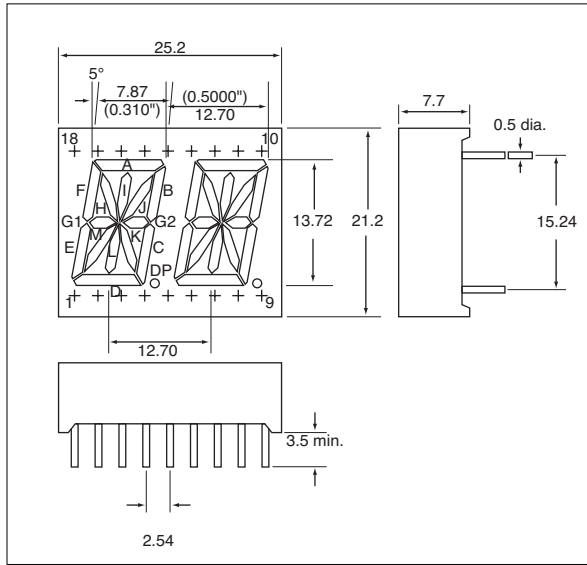


Unit: mm



# AND-5420 Series

## GaAsP/GaP-Red

### 16 Segment, Dual Digit, 0.54 Inch

#### Features

- 16 segment alphanumeric displays
- 0.54 inch character height
- Available in red
- Suitable for computer peripherals and terminal displays for viewing at a distance
- Available in both common cathode and common anode
- **RoHS Compliant**

#### Description

| Size      | Number of Digits | Common       |              | Color   |      | Number of Pins |
|-----------|------------------|--------------|--------------|---------|------|----------------|
|           |                  | Cathode      | Anode        | Display | Face |                |
| 0.54 inch | 2                | AND-5420OCLB | AND-5420OALB | Red     | Red  | 18             |

#### Absolute Maximum Ratings (T = 25°C)

| Characteristics   | Symbol        | Rating     | Unit |
|---|---------------|------------|------|
| DC Forward Current/Segment                                  | $I_F(DC)/SEG$ | 30         | mA   |
| Pulse Forward Current/Segment (1us Pulse – 0.3% Duty Cycle) | $I_{FP}/SEG$  | 100        | mA   |
| Reverse Voltage/Segment                                     | $V_R$         | 3          | V    |
| Operating Temperature Range                                 | $T_{Opr}$     | -25 to 85  | °C   |
| Storage Temperature Range                                   | $T_{Stg}$     | -25 to 100 | °C   |

#### Electro-Optical Characteristics (T = 25°C)

| Characteristics                | Symbol                 | Test Condition       | Minimum | Typical | Maximum | Unit          |
|--------------------------------|------------------------|----------------------|---------|---------|---------|---------------|
| Forward Voltage                | $V_F$                  | $I_F = 10\text{ mA}$ | –       | 2.1     | 2.4     | V             |
| Reverse Current                | $I_R$                  | $V_R = 3\text{ V}$   | –       | –       | 100     | $\mu\text{A}$ |
| Luminous Intensity Per Segment | Red<br>$I_V$           | $I_F = 10\text{ mA}$ | 2.0     | 3.3     | –       | mcd           |
| Peak Emission Wavelength       | Red<br>$\lambda_P$     | $I_F = 10\text{ mA}$ | –       | 635     | –       | nm            |
| Spectral Line Half Width       | Red<br>$\Delta\lambda$ | $I_F = 10\text{ mA}$ | –       | 45      | –       | nm            |

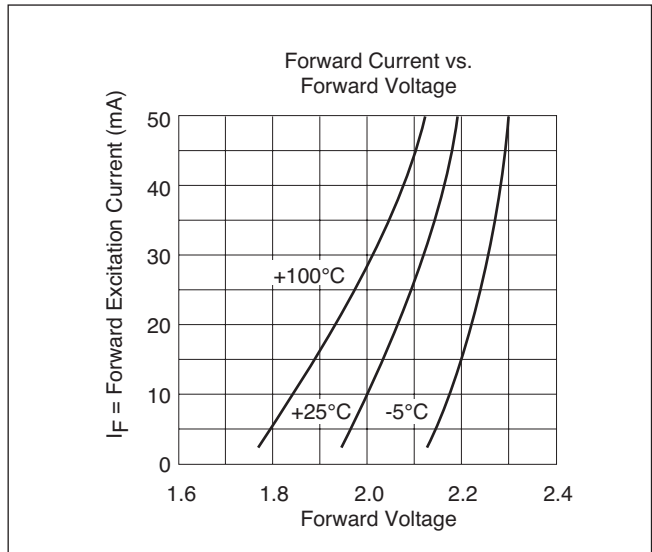
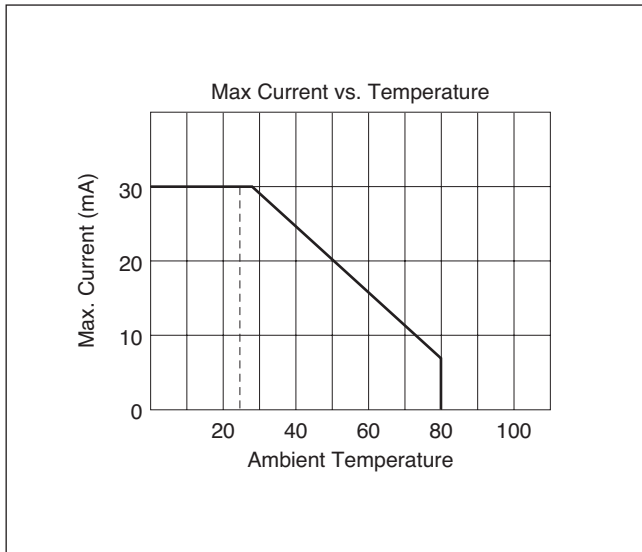
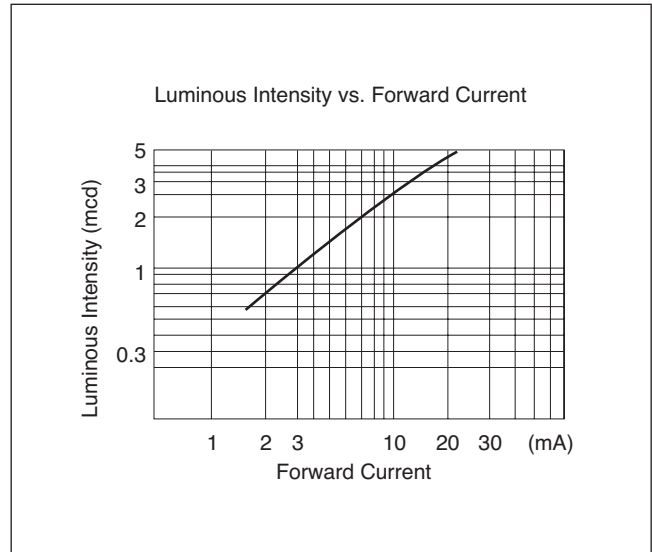
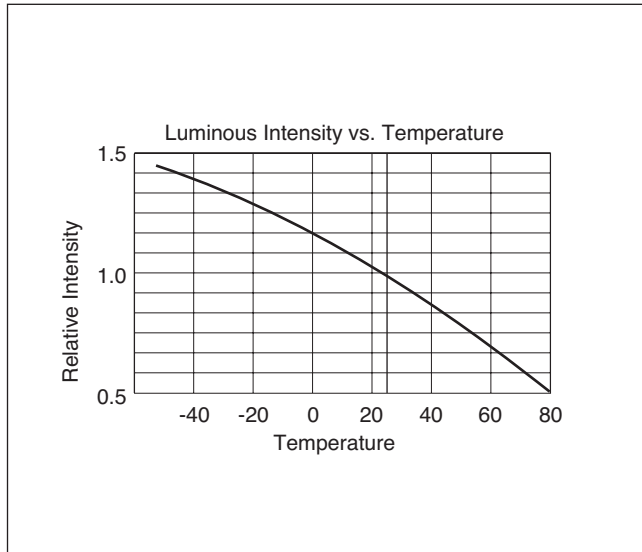
#### Precaution

Please be careful of the following:

1. Soldering temperature: 260°C max; Soldering time: 3 sec. max; Soldering portion of lead: up to 2 mm from the body of the device.
2. The lead can be formed up to 5 mm from the body of the device without forming stress. Soldering should be performed after the lead forming.

Product specifications contained herein may be changed without prior notice.

It is therefore advisable to contact Purdy Electronics before proceeding with the design of equipment incorporating this product.



**AND-5420 Series Pin Connection Table**

| AND-5420OCLB |               |     |                        |
|--------------|---------------|-----|------------------------|
| Pin          | Connection    | Pin | Connection             |
| 1            | E Anode       | 10  | B Anode                |
| 2            | M Anode       | 11  | Digit 2 Common Cathode |
| 3            | No Connection | 12  | A Anode                |
| 4            | L Anode       | 13  | G1 Anode               |
| 5            | K Anode       | 14  | J Anode                |
| 6            | G2 Anode      | 15  | I Anode                |
| 7            | D Anode       | 16  | Digit 1 Common Cathode |
| 8            | DP Anode      | 17  | H Anode                |
| 9            | C Anode       | 18  | F Anode                |

| AND-5420OALB |               |     |                      |
|--------------|---------------|-----|----------------------|
| Pin          | Connection    | Pin | Connection           |
| 1            | E Cathode     | 10  | B Cathode            |
| 2            | M Cathode     | 11  | Digit 2 Common Anode |
| 3            | No Connection | 12  | A Cathode            |
| 4            | L Cathode     | 13  | G1 Cathode           |
| 5            | K Cathode     | 14  | J Cathode            |
| 6            | G2 Cathode    | 15  | I Cathode            |
| 7            | D Cathode     | 16  | Digit 1 Common Anode |
| 8            | DP Cathode    | 17  | H Cathode            |
| 9            | C Cathode     | 18  | F Cathode            |