



PRODUCT SPECIFICATION

Model No : CSQ-5244V9/5245V9

Descriptions:
<ul style="list-style-type: none"> • 0.52 Inch Quad Digit Display • CSQ-5244: Common Anode • CSQ-5245: Common Cathode • Emitting Color: Super Bright Orange



CUSTOMER APPROVED SIGNATURES	APPROVED BY	CHECKED BY	PREPARED BY

CHINA SEMICONDUCTOR CORPORATION
 Address: 2FL. NO.909, Chung-Cheng Road,
 Chung-Ho City Taipei Hsien, Taiwan.

Tel: 886-2-2223-9696
 Fax: 886-2-2223-9377

OPTO PLUS TECHNOLOGIES CO., LTD
 Address: 696 Shun jiang Rd., Ji Shan St. Shaoxing,
 ZheJiang, China

Tel: 86-0575-88623888
 Fax: 86-0575-88623112



Model No : CSQ-5244/5245V9

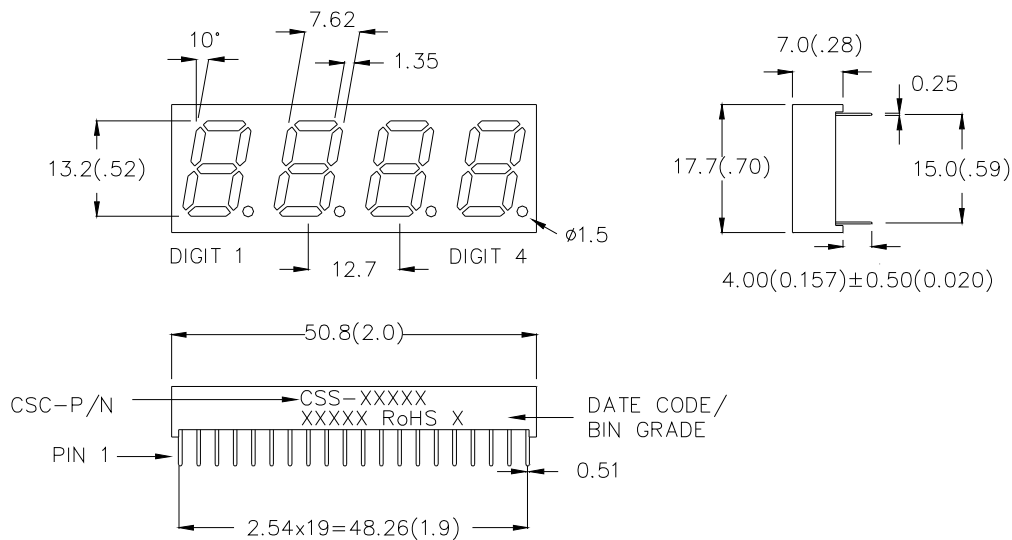
Features -

1. 0.52 inch (13.2mm) digit height.
2. Case mold type.
3. RoHS compliant.
4. Low power consumption.
5. Easy mounting on P.C. board or socket.

Device Selection Guide -

Part No.	Chip		Description
	Material	Emitted Color	
CSQ-5244V9	AlGaInP	Super Bright Orange	Common Anode
CSQ-5245V9	AlGaInP	Super Bright Orange	Common Cathode

Package Dimensions -



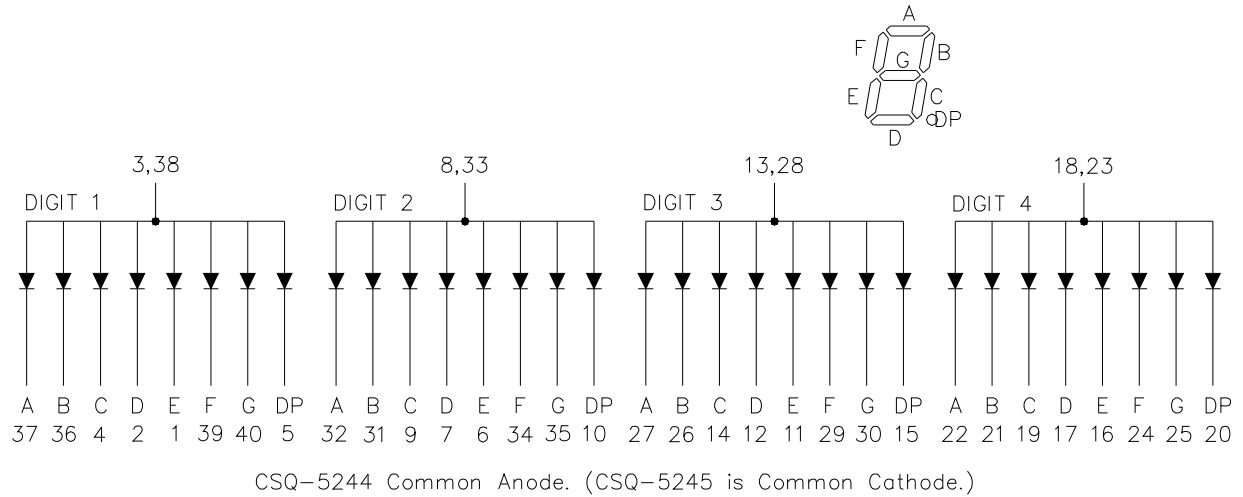
NOTE:

Dimension in millimeter (inch), and tolerance is ± 0.25 (.01) unless otherwise noted.



Model No : CSQ-5244/5245V9

Internal Circuit Diagrams -



Absolute Maximum Rating -

(Ta=25°C)

Parameter	Symbol	Rating	Unit
Power Dissipation Per Dice	P _{AD}	70	mW
Continuous Forward Current Per Dice	I _{AF}	25	mA
Peak Current Per Dice(duty cycle 1/10, 1kHz)	I _{PF}	90	mA
Derating Linear From 25°C Per Dice	-	0.33	mA/°C
Reverse Voltage Per Dice	V _R	5	V
Operating Temp.	T _{opr}	-35 ~ +85	°C
Storage Temp.	T _{stg}	-35 ~ +85	°C
Solder temperature 1/16 inch below seating plane for 3 seconds at 260°C			



Model No : CSQ-5244/5245V9

■ Electro-optical Characteristics -

(Ta=25°C)

Parameter	Symbol	Min.	Typ.	Max.	Unit	Condition
Forward Voltage Per Segment	V _F	-	2.0	2.8	V	I _F =20mA
Luminous Intensity Per Segment	I _v	-	25	-	mcd	I _F =10mA
Peak Emission Wavelength	λ _p	-	632	-	nm	I _F =20mA
Dominant Wavelength	λ _d	-	624	-	nm	I _F =20mA
Spectrum Radiation Bandwidth	Δλ	-	20	-	nm	I _F =20mA
Reverse Current	I _R	-	-	100	μA	V _R =5V
Luminous Intensity Matching Ratio	IV-m	-	-	2:1	-	I _F =10mA



Model No : CSQ-5244/5245V9

■ Typical Electrical / Optical Characteristics Curves -

(Ta = 25°C Unless Otherwise Noted)

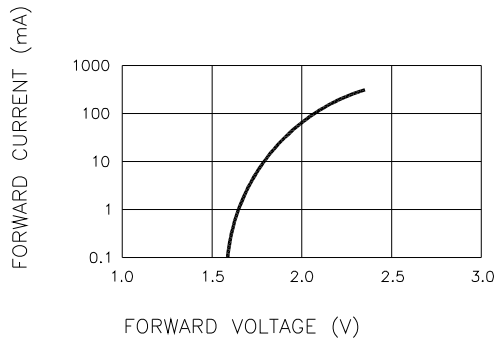


Fig.1 FORWARD CURRENT VS. FORWARD VOLTAGE

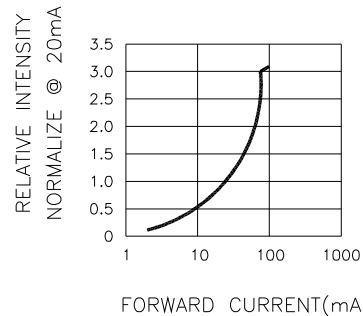


Fig.2 RELATIVE INTENSITY VS. FORWARD CURRENT

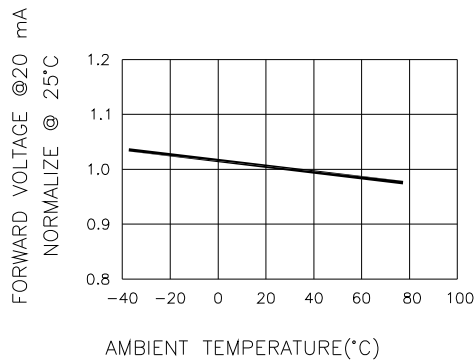


Fig.3 FORWARD VOLTAGE VS. TEMPERATURE

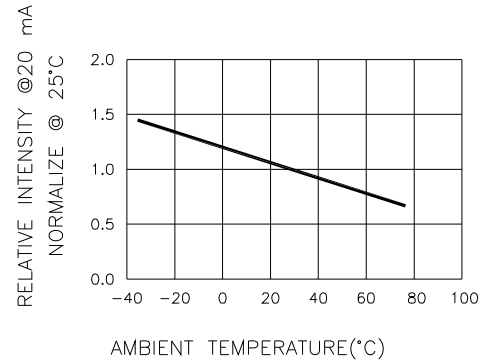


Fig.4 RELATIVE INTENSITY VS. TEMPERATURE

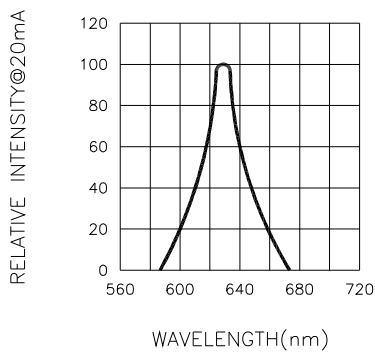
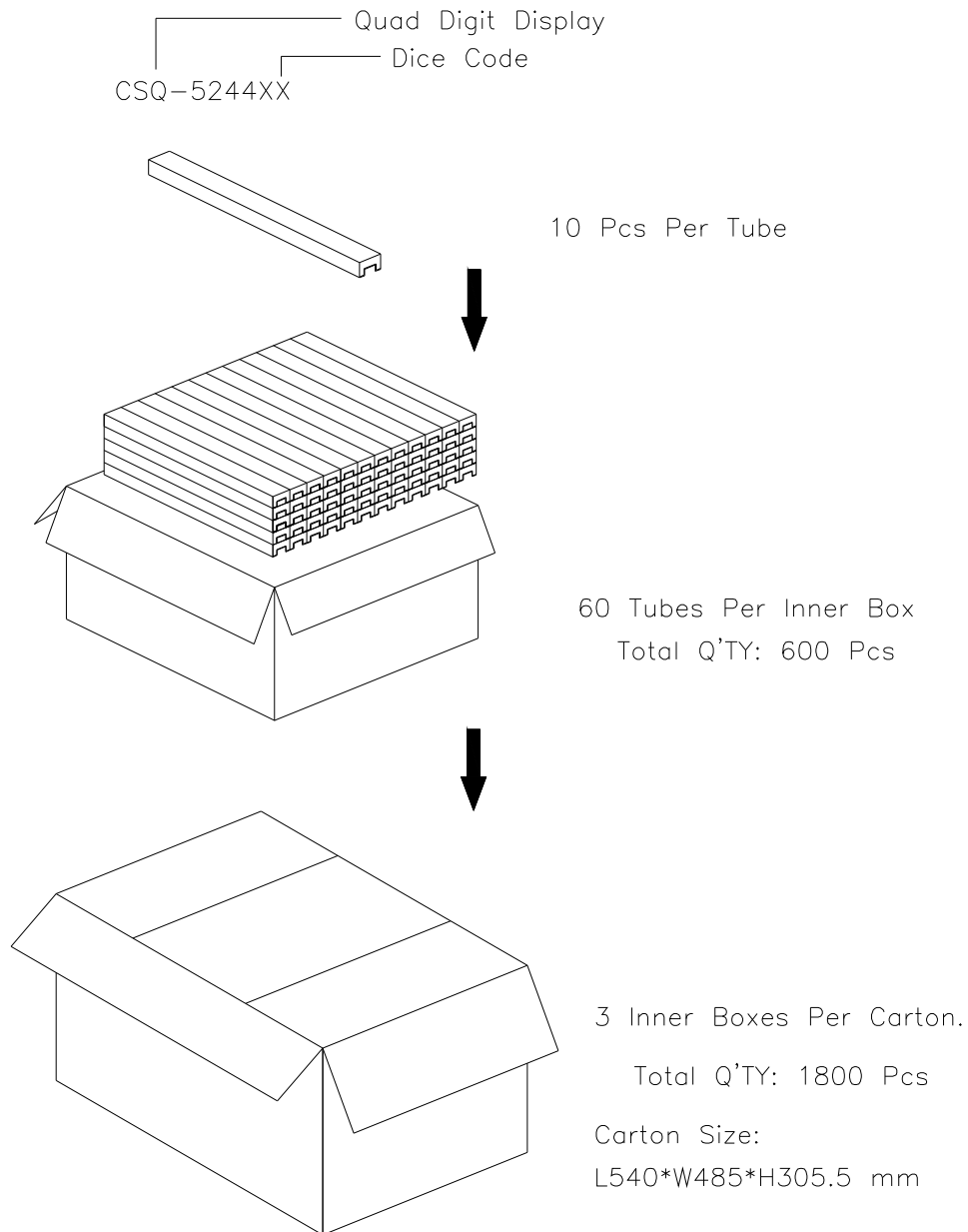


Fig.5 RELATIVE INTENSITY VS. WAVELENGTH



Model No: CSQ-5244/5245V9

■ Package Dimensions



Note: The specifications are subject to change without notice. Please contact us for updated information

<http://www.csctw.com.tw>