



TAI-SAW TECHNOLOGY CO., LTD.

No. 3, Industrial 2nd Rd., Ping-Chen Industrial District,
Taoyuan, 324, Taiwan, R.O.C.

TEL: 886-3-4690038 FAX: 886-3-4697532

E-mail: tsales3@mail.taisaw.com Web: www.taisaw.com

Approval Sheet For Product Specification


Issued Date:

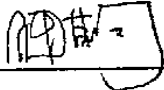
Product Name: SAW IF Filter 374MHz (SMD 3.8×3.8 mm)

TST Parts No.: TB0152A

Customer Parts No.: _____

Company: _____
Division: _____
Approved by : _____
Date: _____

Checked by: _____ Kazuma Lee 

Approval by: _____ Francis Chen 

Date: _____ 2009-04-06



TAI-SAW TECHNOLOGY CO., LTD.

No.3, Industrial 2nd Rd., Ping-Chen Industrial District, Taoyuan, Taiwan, R.O.C.

TEL: 886-3-4690038 FAX: 886-3-4697532

E-mail: tstsales3@mail.taisaw.com Web: www.taisaw.com

SAW Filter 374MHz WLAN (SMD 3.8×3.8 mm)

MODEL NO.: TB0152A

REV. NO.:7

A. MAXIMUM RATING:

1. Input Power Level: 10 dBm
2. Operating Temperature: -10°C to 85°C
3. Storage Temperature: -40°C to 85°C

RoHS Compliant
 Lead free
 Lead-free soldering

B. ELECTRICAL CHARACTERISTICS:

Item	Unit	Min.	Type.	Max.	Note
Center frequency, F_c	MHz	-	374	-	
Insertion Loss, IL	dB	-	8.6	10	
Passband width, BW₃	MHz	17	23.3	-	
Amplitude Ripple in F _c ±7MHz	dB	-	0.7	1	
Group delay ripple in F _c ±7MHz	nS	-	45	100	
Triple transit suppression	dB	30	38	-	
Attenuation:(Reference level from Min IL)					
274MHz to 330 MHz	dB	40	48	-	
330MHz to 349.5MHz	dB	40	44	-	
349.5MHz to 355 MHz	dB	30	37	-	
393MHz to 398.5MHz	dB	30	39	-	
398.5MHz to 422MHz	dB	35	40		
422MHz to 474MHz	dB	40	47	-	

C. FREQUENCY CHARACTERISTICS:

(1) wide band of Response:

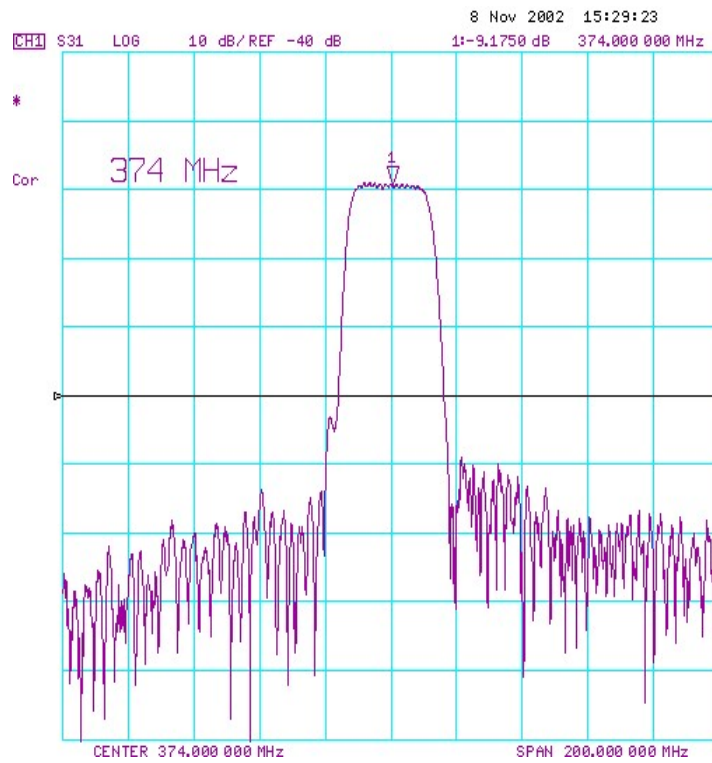


Fig-1 S21 Response Horizontal: 20MHz/Div
Vertical: 10dB/div REF. : -40dB

(2) Passband of Response:

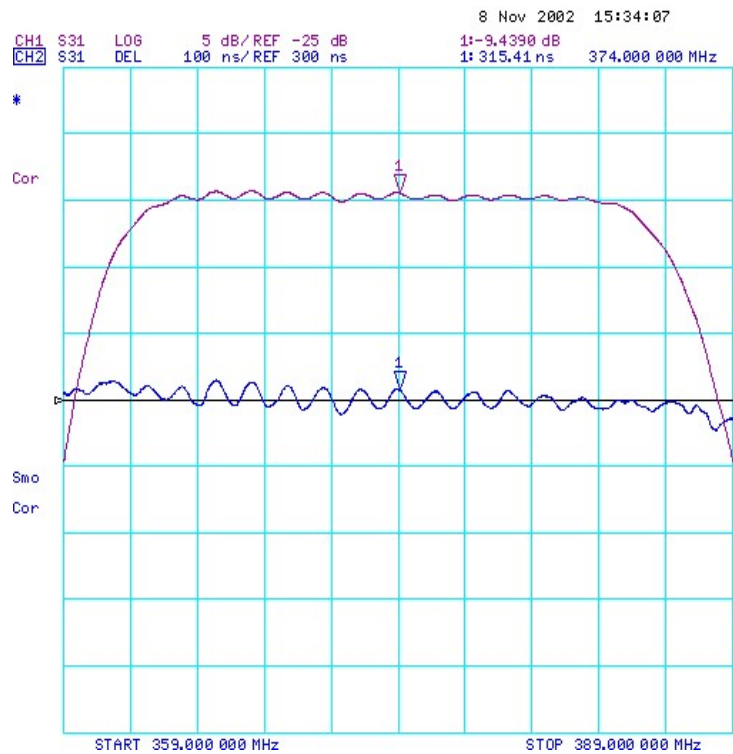
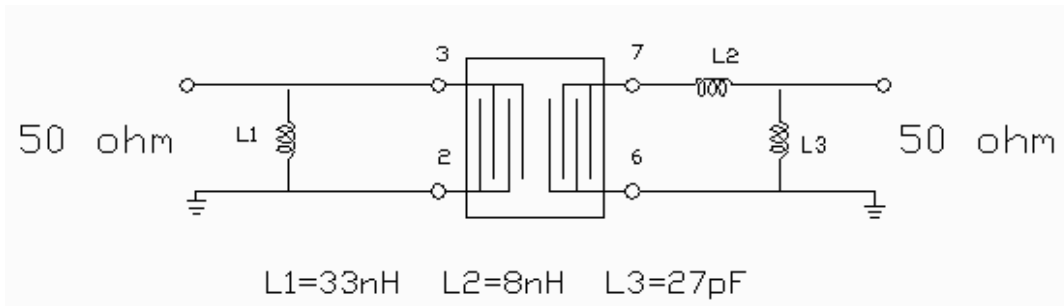


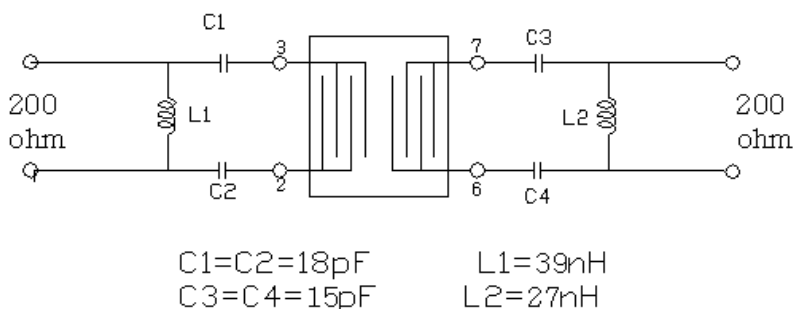
Fig-1 S21 Response Horizontal: 3MHz/Div
Vertical: 5dB/Div, 100nS

D. MEASUREMENT CIRCUIT:

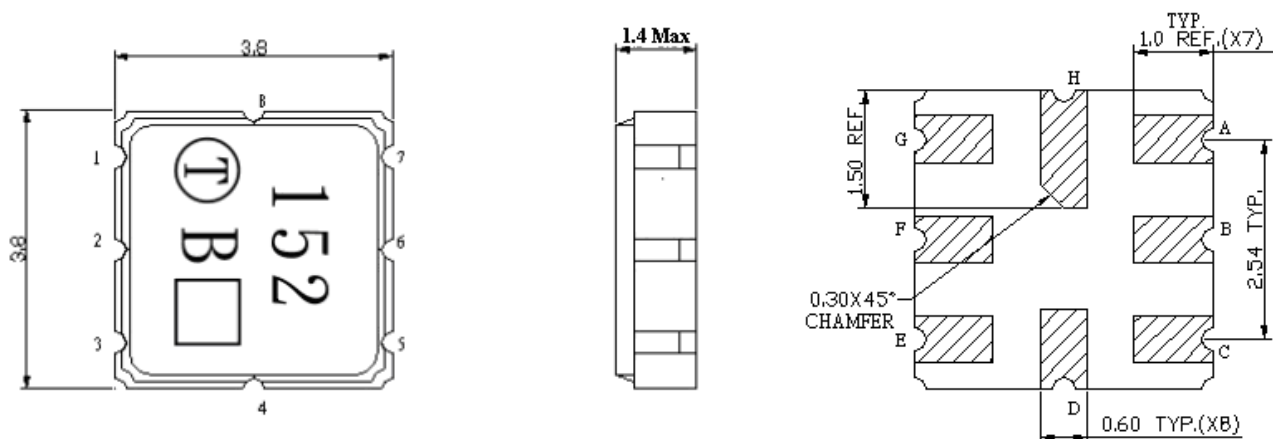
(1) 50 unbalanced:



(2) 200 balanced:



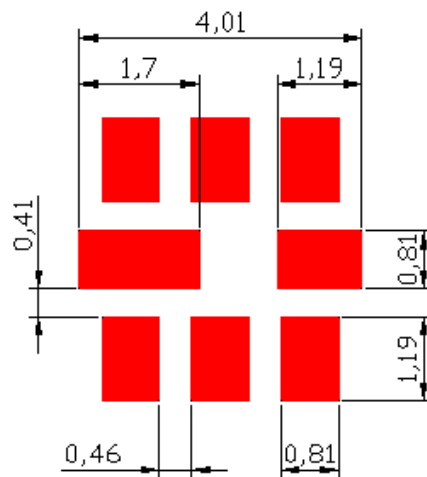
E. OUTLINE DRAWING: Unit: mm



- Pin 7: Balance Output RF+
- Pin 3: Balance Input RF+
- Pin 2: Balance Input RF- or Input Ground
- Pin 6: Balance Output RF- or Output Ground
- Pin 1,4,5,8: To be ground

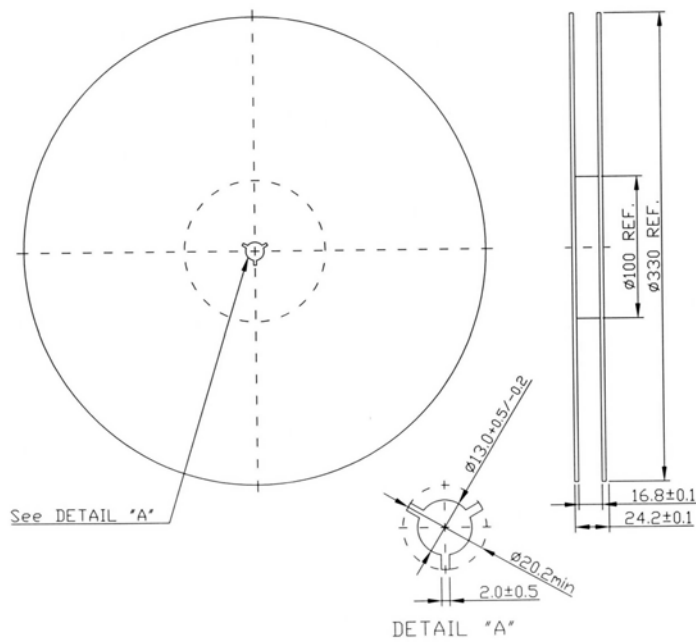
- B : Year Code
- B: for 2001/2003 odd number
- b: for 2002/2004 even number
- : Date Code

F. PCB Footprint:



G. PACKING:

1. REEL DIMENSION



2. TAPE DIMENSION

