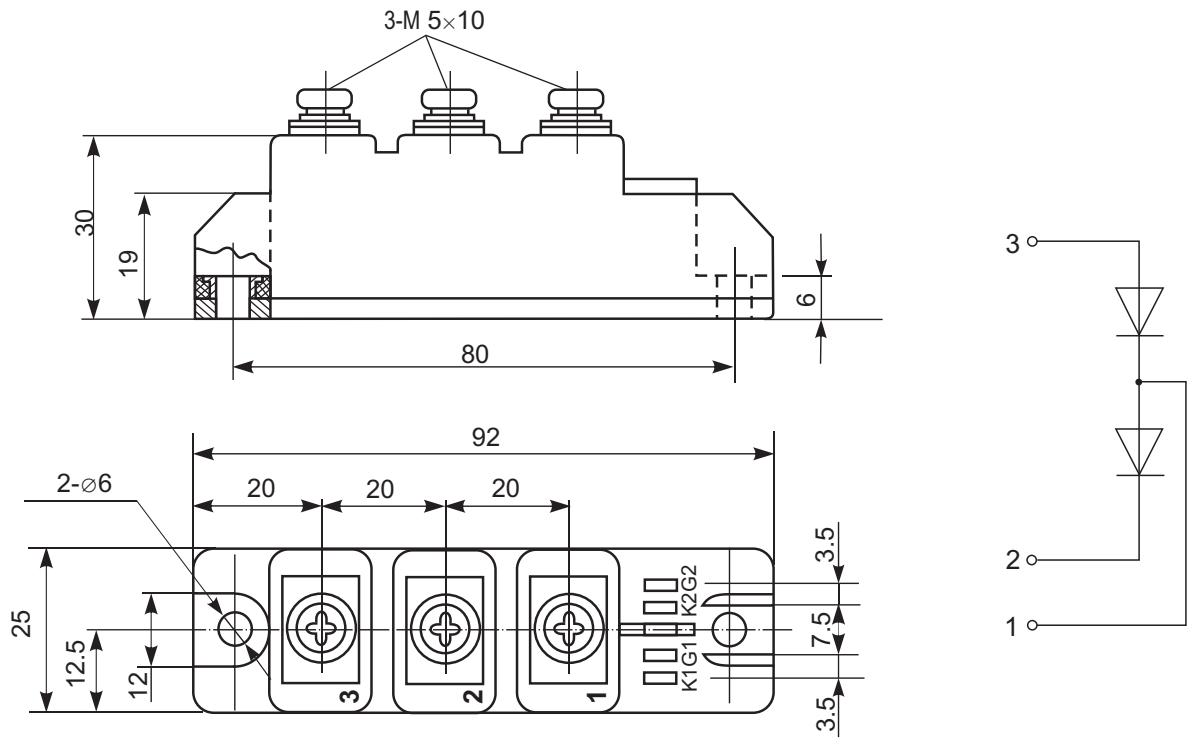


Diode-Diode Module



Type	V_{RSM}	V_{RRM}
МДД-100-08	900	800
МДД-100-12	1300	1200
МДД-100-14	1500	1400
МДД-100-16	1700	1600
МДД-100-18	1900	1800

Symbol	Parameter	Test Conditions	Value	Unit	
I_{FAVM}	average on-state current	$T_C=85^{\circ}C$	100	A	
I_{FRMS}	maximum RMS on-state current	$T_J=T_{JM}$	190	A	
I_{FSM}	surge-current	$T_C=45^{\circ}C$	2.5	kA	
		$T_J=T_{JM}$	2.1		
i^2t	i^2t -value	$T_C=45^{\circ}C$	30.6	kA ² -s	
		$T_J=T_{JM}$	22.7		
I_{RRM}	off-state Leakage current	$T_J=T_{JM}; V_R=V_{RRM}$	25	mA	
V_{RRM}	reverse repeat peak value voltage	$T_J=T_{JM}; 180^{\circ}C$ sine wave, 50 Hz; gate open	800-1800	V	
V_{RSM}	non-repetitive peak reverse voltage	$T_J=T_{JM}$	900-1900	V	
V_{FM}	on-state voltage	$I_{TM}=320A$	1.60	V	
r_T	slope resistance	$T_J=T_{JM}$	2.4	m	
V_{isol}	insulation test voltage	50 Hz, RMS;	t=1min	2500	V
			t=1s	3000	
V_{TO}	threshold voltage	$T_J=T_{JM}$	1.15	V	
T_J	working junction temperature		-40...+125	$^{\circ}C$	
T_{JM}	maximum working junction temperature		125	$^{\circ}C$	
T_{stg}	storage temperature		-40...+50	$^{\circ}C$	
R_{thJC}	thermal resistance; junction to case		0.35	K/W	
M_1	mounting torque	M5	2.5-4	Nm	
M_2	terminal connection torque	M5	2.5-4	Nm	
W	weight		500	g	
a	maximum allowable acceleration		50	m/s ²	



Features:

- Industrial standard package
- Heat transfer through aluminium nitride ceramic isolated metal baseplate
- Precise internal pressure contacts for high reliability
- 2500V RMS isolation voltage

Typical Applications:

- DC motor control
- AC motor soft starter
- Temperature control (e.g. for ovens, chemical processes)
- Lighting control