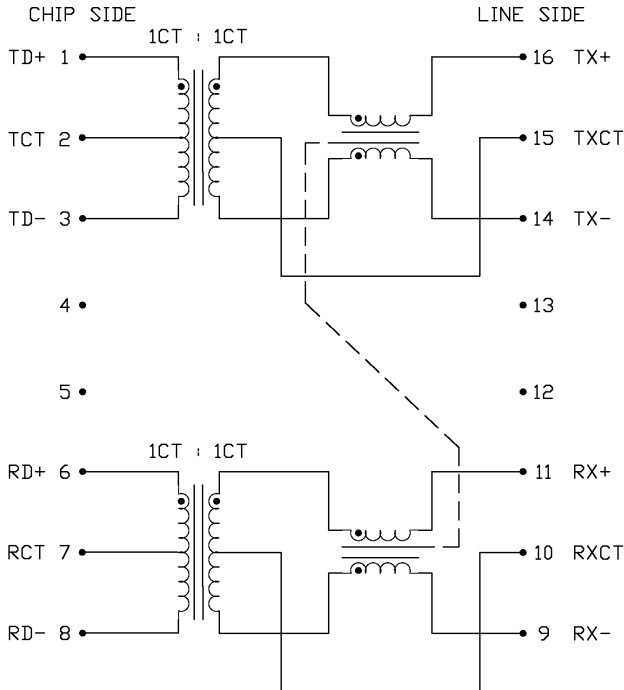


THE INFORMATION CONTAINED HEREIN IS CONSIDERED "PROPRIETARY" TO BEL FUSE INC. AND SHALL NOT BE COPIED, REPRODUCED OR DISCLOSED WITHOUT THE WRITTEN APPROVAL OF BEL FUSE INC.

ELECTRICAL CHARACTERISTICS @ 25°C



SCHEMATIC



URNS RATIO

PIN 1-2-3 : 16-15-14

PIN 6-7-8 : 11-10-9

OCL (0°~70°C)

Tx PIN 1-3 OPEN 16-14

Rx PIN 6-8 OPEN 11-9

LEAKAGE INDUCTANCE, L_L

Tx PIN 1-3 SHORT 16-14

Rx PIN 6-8 SHORT 11-9

INTERWINDING CAPACITANCE, C_w/w

Tx PIN 1-3 TO 16-14

Rx PIN 6-8 TO 11-9

DCR

PIN (1-3) ; (6-8)

INSERTION LOSS

1 MHz TO 100 MHz

RETURN LOSS

1 MHz - 30 MHz

30 MHz - 60 MHz

60 MHz - 80 MHz

COMMON TO DIFFERENTIAL

100 kHz - 100 MHz

CROSSTALK

100 kHz - 100 MHz

HIPOT

1CT : 1CT

1CT : 1CT

350 μ H MIN.

@ 100kHz, 100mVrms

WITH 8mA DC BIAS

0.30 μ H MAX.

@ 1MHz, 20mV

30 pF MAX.

@ 1MHz, 20mV

1.1 Ω m MAX.

1.2 dB MAX.

18 dB MIN.

18-20 LOG (f/30MHz)

12 dB MIN.

35 dB MIN.

35 dB MIN.

PER HAND-WORK-03

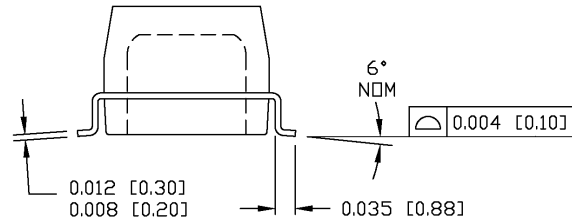
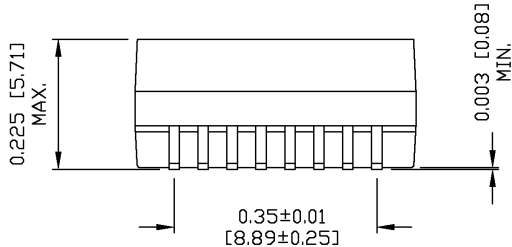
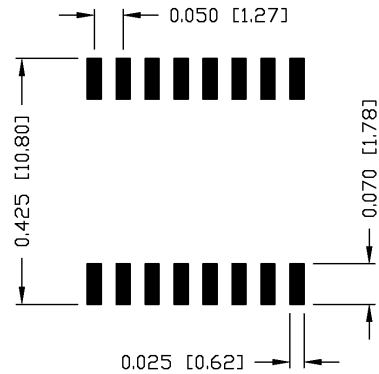
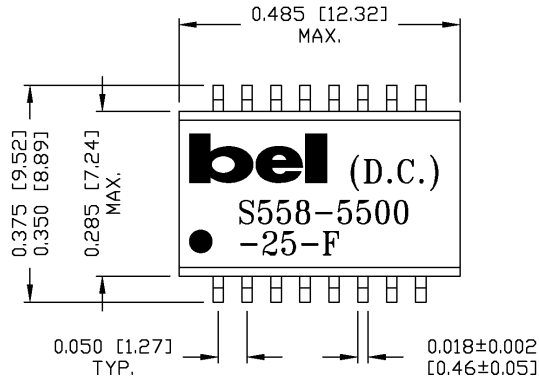
ORIGINATED BY	DATE	TITLE	PART NO. / DRAWING NO.	STANDARD DIM.	[] METRIC DIM. AS REFERENCE
HO	07-19-05	VOIP INTERFACE MODULE S558-5500-25-F	X558550025-F	TOL. IN INCH	UNIT : INCH [mm] REV. : A
DRAWN BY	DATE		FILE NAME	.X	SCALE : N/A
DQ Chen	07-19-05		X558550025FA.DWG	.XX	PAGE : 2
				.XXX	



THE INFORMATION CONTAINED HEREIN IS CONSIDERED "PROPRIETARY" TO BEL FUSE INC. AND SHALL NOT BE COPIED, REPRODUCED OR DISCLOSED WITHOUT THE WRITTEN APPROVAL OF BEL FUSE INC.



SUGGESTED PCB PAD LAYOUT



NOTES:

- STANDARD MARKING REFER TO DOC. HAND-WORK-04.
- PACKAGE CODE: "QBS001".

ORIGINATED BY	DATE	TITLE	PART NO. / DRAWING NO.	STANDARD DIM. TOL. IN INCH	[] METRIC DIM. AS REFERENCE
HO	07-19-05	MECHANICAL DRAWING S558-5500-25-F	X558550025-F	.X	UNIT : INCH [mm] REV. : A
DRAWN BY	DATE		FILE NAME	.XX ±0.01	SCALE : N/A SIZE : A4
DQ Chen	07-19-05		X558550025FA.DWG	.XXX ±0.005	PAGE : 3

