

**PLEASE CHECK WWW.MOLEX.COM FOR LATEST PART INFORMATION**

**Part Number:** [0395173012](#)  
**Status:** **Active**  
**Description:** 3.81mm (.150") Pitch Eurostyle™ Vertical Plug, with Retention Screws, Front Wire Entry, 12 Circuits

**Documents:**

[3D Model](#) [Product Specification PS-39500-001 \(PDF\)](#)  
[Drawing \(PDF\)](#) [RoHS Certificate of Compliance \(PDF\)](#)

**General**

Product Family	Terminal Blocks
Series	<a href="#">39517</a>
Application	Wire-to-Board
Comments	Front Wire Entry
Component Type	Plug
Product Literature Order No	USA-355
Product Name	ESE, Eurostyle™ Pluggable
Type	Euro Block

**Physical**

Circuits (Loaded)	12
Entry Angle	Horizontal
Lock to Mating Part	Yes
Number of Rows	1
Orientation	Vertical
Panel Mount	No
Pitch - Mating Interface (in)	0.150 In
Pitch - Mating Interface (mm)	3.81 mm
Polarized to Mating Part	Yes
Stackable	No
Temperature Range - Operating	-40°C to +105°C
Wire Size AWG	16, 18, 20, 22, 24, 26, 28, 30
Wire Size mm²	0.05 - 1.31

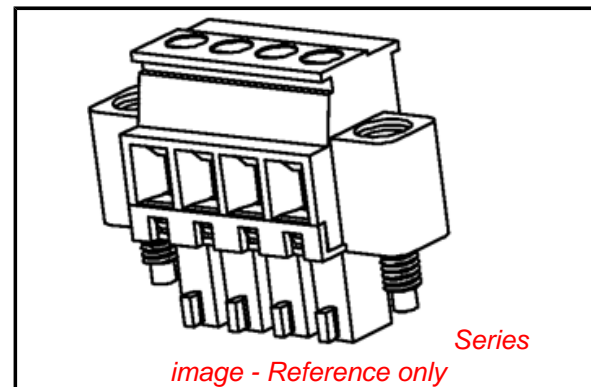
**Electrical**

Current - Maximum per Contact	8A
Voltage - Maximum	300V

**Material Info**

**Reference - Drawing Numbers**

Product Specification	PS-39500-001
Sales Drawing	SD-39517-001



**EU RoHS**

**ELV and RoHS  
Compliant**  
**REACH SVHC**  
 Not Reviewed  
**Halogen-Free  
Status**

**China RoHS**



**Not Reviewed**

**Need more information on product  
environmental compliance?**

Email [productcompliance@molex.com](mailto:productcompliance@molex.com)  
 For a multiple part number RoHS Certificate of  
 Compliance, [click here](#)

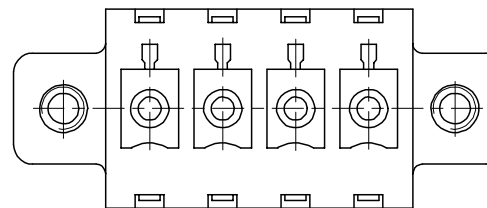
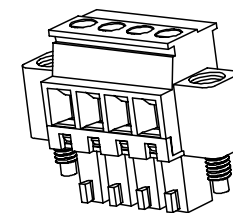
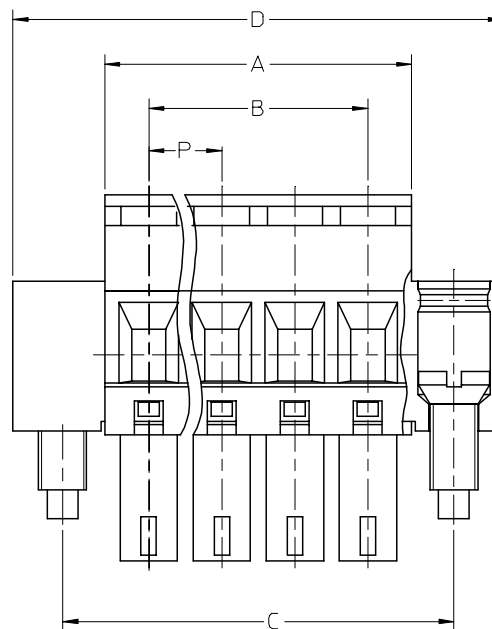
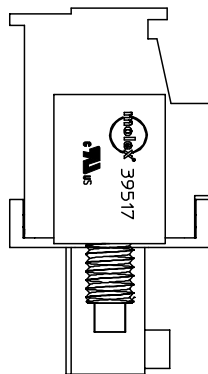
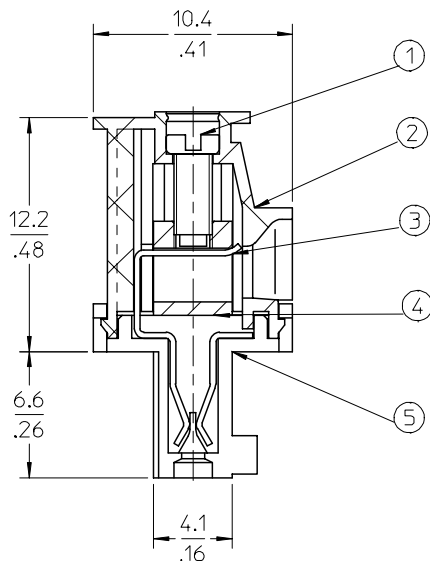
Please visit the [Contact Us](#) section for any  
 non-product compliance questions.

**Search Parts in this Series**

[39517Series](#)

**Mates With**

Most 3.81mm (.150") Pitch Industry  
 Standard PCB Headers, [39515](#) Vertical  
 PCB Header with Threaded Retention  
 Inserts, [39516](#) Horizontal PCB Header with  
 Threaded Retention Inserts



**SPECIFICATIONS:**

1. Material:

- (1). Screw: STEEL.
- (2). Body: PA66
- (3). Terminal: Brass
- (4). Cage: Brass
- (5). Cover: PA66

2. Wire range: 30 - 16AWG.

3. Electrical rating: 300V, 8A.

4. MAX TORQUE: 3 in-lbs.

5. Wire strip length: 5.00mm.

6. Operating temperature: -40C to +105C.

7.  $A = (N \times P) + .79mm$ .

8.  $B = (n - 1) \times P$

9.  $C = B + 9.0mm$

10.  $D = A + 9.6$

11.  $P = (\text{Pitch}) = 3.81mm (.150")$

12. N = Number of positions available 2 through 20.

(B) 13. ASSEMBLY IS ROHS COMPLIANT.

EDIT TITLE EC NO: ETC2007-0459 DRWN: CLYORK 2007/06/21 CHKD: JMAGNEIL 2007/06/22 APPR: JMAGNEIL 2007/06/25	QUALITY SYMBOLS ▽=0 ▽=0	GENERAL TOLERANCES (UNLESS SPECIFIED)		DIMENSION STYLE MM/IN		SCALE 4:1	DESIGN UNITS INCH	THIRD ANGLE PROJECTION	
		4 PLACES ± --- ±.0015 3 PLACES ±0.038 ±.005 2 PLACES ±0.13 ±.01 1 PLACE ±0.3 ± --- ANGULAR ± 2 °	DRAWN BY LROTHAUS DATE 2005/12/06	TITLE (B) 3.81MM, EURO TERM BLOCK VERT, PLUG, FRONT WIRE ENTRY, MOUNTING ENDS		MOLEX INCORPORATED			
REV	DESCRIPTION	DRAFT WHERE APPLICABLE MUST REMAIN WITHIN DIMENSIONS		APPROVED BY J. PAWLICKI DATE 2006/01/10	MATERIAL NO. SEE SHT. 2	DOCUMENT NO. SD-39517-001	SHEET NO. 1 OF 2		
THIS DRAWING CONTAINS INFORMATION THAT IS PROPRIETARY TO MOLEX INCORPORATED AND SHOULD NOT BE USED WITHOUT WRITTEN PERMISSION				SIZE B					

Circuit size	Material Numbers												Dimensional Information							
	Black						Green						Dim. A		Dim B		Dim C		Dim D	
	100% Tin			30 u" Gold			100% Tin			30 u" Gold			mm	inch	mm	inch	mm	inch	mm	inch
	Printing Options			Printing Options			Printing Options			Printing Options										
	None	10AV	11AV	None	10AV	11AV	None	10AV	11AV	None	10AV	11AV	mm	inch	mm	inch	mm	inch	mm	inch
2	395173002	395173302	395173402	395173502	395173802	395173902	395178002	395178302	395178402	395178502	395178802	395178902	8.41	0.331	3.81	0.150	12.81	0.504	18.01	0.709
3	395173003	395173303	395173403	395173503	395173803	395173903	395178003	395178303	395178403	395178503	395178803	395178903	12.22	0.481	7.62	0.300	16.62	0.654	21.82	0.859
4	395173004	395173304	395173404	395173504	395173804	395173904	395178004	395178304	395178404	395178504	395178804	395178904	16.03	0.631	11.43	0.450	20.43	0.804	25.63	1.009
5	395173005	395173305	395173405	395173505	395173805	395173905	395178005	395178305	395178405	395178505	395178805	395178905	19.84	0.781	15.24	0.600	24.24	0.954	29.44	1.159
6	395173006	395173306	395173406	395173506	395173806	395173906	395178006	395178306	395178406	395178506	395178806	395178906	23.65	0.931	19.05	0.750	28.05	1.104	33.25	1.309
7	395173007	395173307	395173407	395173507	395173807	395173907	395178007	395178307	395178407	395178507	395178807	395178907	27.46	1.081	22.86	0.900	31.86	1.254	37.06	1.459
8	395173008	395173308	395173408	395173508	395173808	395173908	395178008	395178308	395178408	395178508	395178808	395178908	31.27	1.231	26.67	1.050	35.67	1.404	40.87	1.609
9	395173009	395173309	395173409	395173509	395173809	395173909	395178009	395178309	395178409	395178509	395178809	395178909	35.08	1.381	30.48	1.200	39.48	1.554	44.68	1.759
10	395173010	395173310	395173410	395173510	395173810	395173910	395178010	395178310	395178410	395178510	395178810	395178910	38.89	1.531	34.29	1.350	43.29	1.704	48.49	1.909
11	395173011	395173311	395173411	395173511	395173811	395173911	395178011	395178311	395178411	395178511	395178811	395178911	42.70	1.681	38.10	1.500	47.10	1.854	52.30	2.059
12	395173012	395173312	395173412	395173512	395173812	395173912	395178012	395178312	395178412	395178512	395178812	395178912	46.51	1.831	41.91	1.650	50.91	2.004	56.11	2.209
13	395173013	395173313	395173413	395173513	395173813	395173913	395178013	395178313	395178413	395178513	395178813	395178913	50.32	1.981	45.72	1.800	54.72	2.154	59.92	2.359
14	395173014	395173314	395173414	395173514	395173814	395173914	395178014	395178314	395178414	395178514	395178814	395178914	54.13	2.131	49.53	1.950	58.53	2.304	63.73	2.509
15	395173015	395173315	395173415	395173515	395173815	395173915	395178015	395178315	395178415	395178515	395178815	395178915	57.94	2.281	53.34	2.100	62.34	2.454	67.54	2.659
16	395173016	395173316	395173416	395173516	395173816	395173916	395178016	395178316	395178416	395178516	395178816	395178916	61.75	2.431	57.15	2.250	66.15	2.604	71.35	2.809
17	395173017	395173317	395173417	395173517	395173817	395173917	395178017	395178317	395178417	395178517	395178817	395178917	65.56	2.581	60.96	2.400	69.96	2.754	75.16	2.959
18	395173018	395173318	395173418	395173518	395173818	395173918	395178018	395178318	395178418	395178518	395178818	395178918	69.37	2.731	64.77	2.550	73.77	2.904	78.97	3.109
19	395173019	395173319	395173419	395173519	395173819	395173919	395178019	395178319	395178419	395178519	395178819	395178919	73.18	2.881	68.58	2.700	77.58	3.054	82.78	3.259
20	395173020	395173320	395173420	395173520	395173820	395173920	395178020	395178320	395178420	395178520	395178820	395178920	76.99	3.031	72.39	2.850	81.39	3.204	86.59	3.409

SEE SHEET 1 EC NO: ETC2007-0459 DRWN: CLYORK 2007/06/21 CHKD: IMACNEIL 2007/06/22 APPR: IMACNEIL 2007/06/25	QUALITY SYMBOLS ▽=0 ▽=0	GENERAL TOLERANCES (UNLESS SPECIFIED) mm INCH 4 PLACES ± --- ±.0015 3 PLACES ±0.038 ±.005 2 PLACES ±0.13 ±.01 1 PLACE ±0.3 ± --- ANGULAR ± 2 °	DIMENSION STYLE MM/IN DRAWN BY DATE LROTHAUS 2005/12/06 CHECKED BY DATE C. YORK 2006/01/06 APPROVED BY DATE J. PAWLICKI 2006/01/10	SCALE 4:1 DESIGN UNITS INCH THIRD ANGLE PROJECTION	TITLE 3.81MM, EURO TERM BLOCK VERT, PLUG, FRONT WIRE ENTRY, MOUNTING ENDS	
	MATERIAL NO. SEE CHART	DOCUMENT NO. SD-39517-001	SHEET NO. 2 OF 2			
	DRAFT WHERE APPLICABLE MUST REMAIN WITHIN DIMENSIONS			SIZE B	THIS DRAWING CONTAINS INFORMATION THAT IS PROPRIETARY TO MOLEX INCORPORATED AND SHOULD NOT BE USED WITHOUT WRITTEN PERMISSION	
	MOLEX MOLEX INCORPORATED					