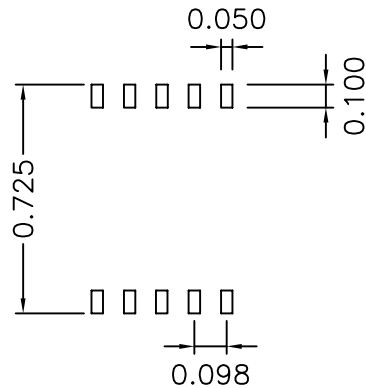
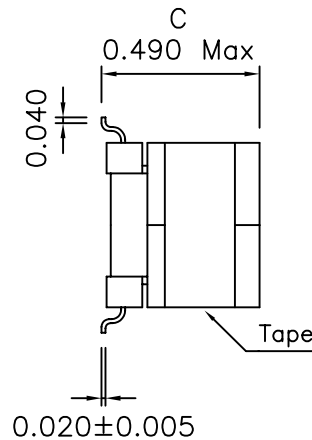
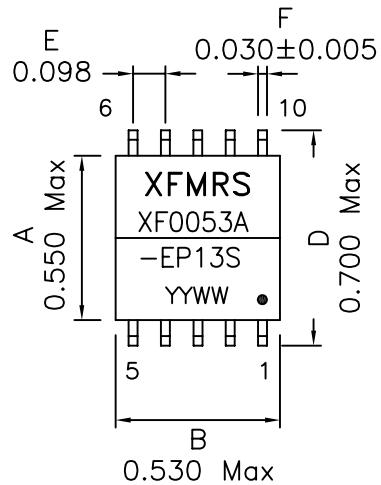


1. Mechanical Dimensions:



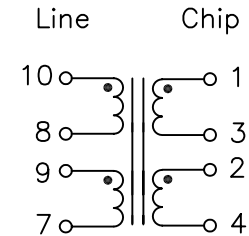
(Suggested PCB Layout)

Notes:

- Solderability: Leads shall meet MIL-STD-202, Method 208D for solderability.
- Flammability: UL94V-0
- ASTM oxygen index: > 28%
- Insulation System: Class F 155°C. UL file E151556
- Operating Temperature Range: All listed parameters are to be within tolerance from -40°C to +85°C
- Storage Temperature Range: -55°C to +125°C
- Aqueous wash compatible

DOC REV: A/1

2. Schematic:



3. Electrical Specifications: @25°C

OCL: Pins 10-7 5.0mH±10% @10KHz 0.1V, Tie Pins 8+9

LL: Pins 10-7 26.0uH Max @100KHz 0.1V,
Short Chip, Tie Pins 8+9

CW/W: Pins 10-1 15.0pF Max @100KHz 0.1V,
Short Line, Short Chip

Total Harmonic Distortion: -80db Max @30KHz 4.0Vrms

DCR: Pins 1-3 0.480 Ohms ±10%

DCR: Pins 2-4 0.720 Ohms ±10%

DCR: Pins 9-7 1.60 Ohms ±10%

DCR: Pins 10-8 1.60 Ohms ±10%

TURNS RATIO: Pins (10-7):(1-4)=2.5:1±2%, Tie Pins 8+9, 3+2

HIPOT: 1875Vac, Line to Chip

XFMRS Inc UNLESS OTHERWISE SPECIFIED TOLERANCES: .xxx ±0.010 Dimensions in INCH SHEET 1 OF 1	Title: ADSL TRANSFORMER	
	P/N: XF0053A-EP13S	REV. A
	DWN. 李清儿	Jun-23-04
	CHK. 孙小悦	Jun-23-04
APP. J Ng	Jun-23-04	