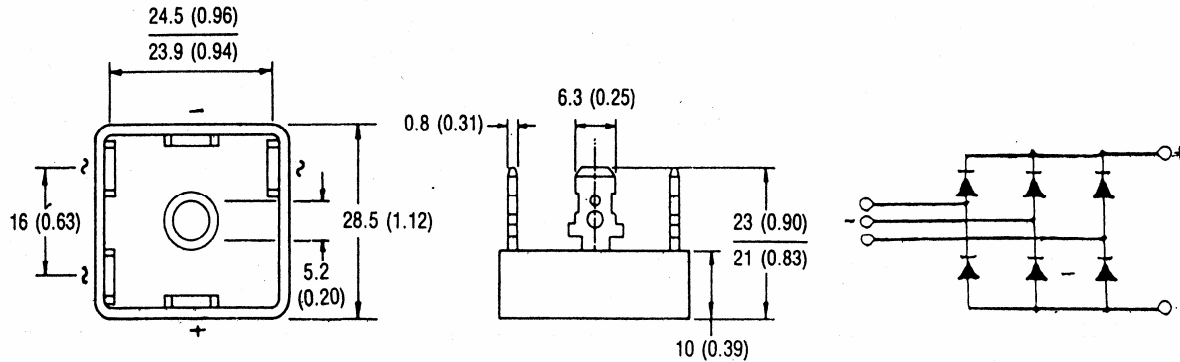


Three Phase 35 Amp Silicon Bridge Rectifier



PART NUMBER	3PB3505	3PB3510	3PB3520	3PB3540	3PB3560	3PB3580	3PB35100	3PB35120
PIV/LEG	50 (V)	100 (V)	200 (V)	400 (V)	600 (V)	800 (V)	1000 (V)	1200 (V)

ELECTRICAL RATINGS

MAX. DC OUTPUT CURRENT @ 60° C CASE	35 AMPS DC
MAX. PEAK SINGLE CYCLE NON-REPETITIVE FORWARD CURRENT @ 8.3 mSec	500 AMPS
MAX. FORWARD VOLTAGE DROP @ $I_f = 40$ AMPS/LEG, $T_j = 25^\circ$ C	1.2 VOLTS
MAX. $I^2 t$ FUSING ($t = 8.3$ mSec) @ $T_j = 150^\circ$ C	1,000 AMPS
THERMAL RESISTANCE (JUNCTION TO CASE)	1.15 K/W
MAX. JUNCTION TEMPERATURE RANGE	-40 TO +150° C
MAX. DC REVERSE CURRENT/JUNCTION @ 25° C	100 u AMPS
RMS ISOLATION VOLTAGE, TERMINAL TO BASE	2500 VOLTS

(203) 467-2591 TEL
 (203) 469-5928 FAX
 Email: Info@ edal.com
 Internet: http://www.edal.com

EDAL industries, inc.

51 Commerce St. East Haven, CT 06512