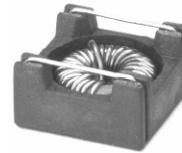




SELF-LEADED SMD INDUCTOR DR344 SERIES

Features

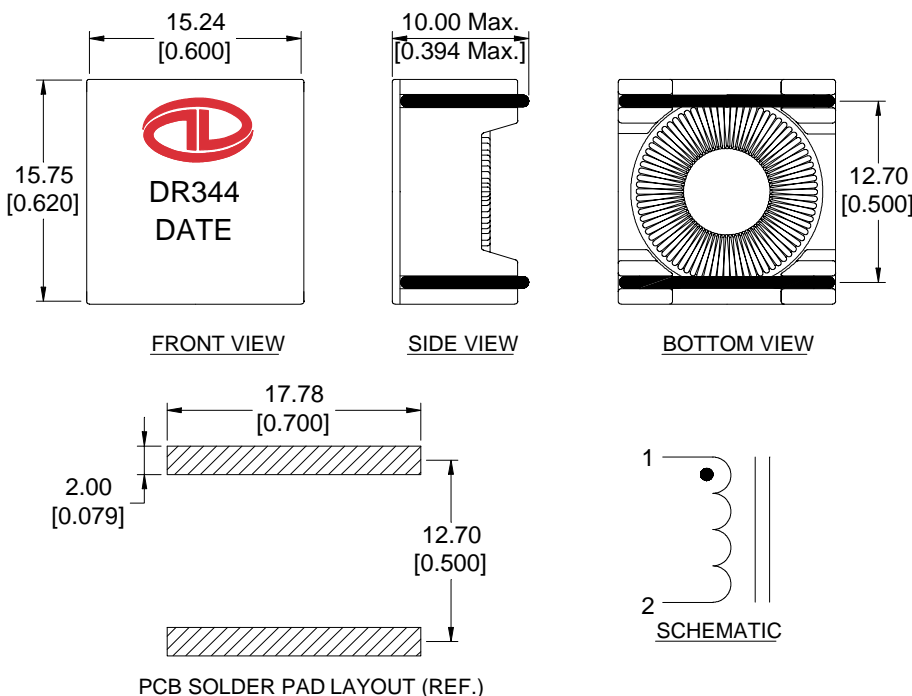
- Low Profile Surface Mount Design
- Flat Top for Pick and Place
- Inductance Range from 17 μ H to 380 μ H
- Tape & Reel Packing
- Operating Temp. -40°C to +85°C
- Tinned Leads with Leaded Solder is Available (note 3)



ELECTRICAL SPECIFICATIONS AT 25°C

PART No.	INDUCTANCE (μ H) $\pm 20\%$ @100KHz, 0.1V	DCR (Ω) $\pm 20\%$	RATED CURRENT (A) Nominal	E _{Top} @100KHz (V- μ Sec) Ref.
DR344-170	17	0.05	3.00	13.2
DR344-240	24	0.07	2.74	16.5
DR344-370	37	0.10	2.24	19.8
DR344-530	53	0.13	1.87	26.4
DR344-770	77	0.20	1.54	33.0
DR344-111	110	0.30	1.26	42.9
DR344-161	160	0.40	1.02	56.1
DR344-251	250	0.60	0.83	72.6
DR344-381	380	1.00	0.68	75.9

MECHANICAL OUTLINES



NOTES:

1. All dimensions are shown in millimeters "mm" [inches "in"].
2. General tolerance ± 0.25 mm [0.010 in.], unless otherwise specified.
3. For non-RoHS parts replace DR prefix with 42- (e.g. DR344 becomes 42-344).
4. Terminal finish is compliant to RoHS requirements. Solder in accordance with J-STD-020C.