

SHIELDED SMD INDUCTOR/TRANSFORMER DR359-1 SERIES

Features

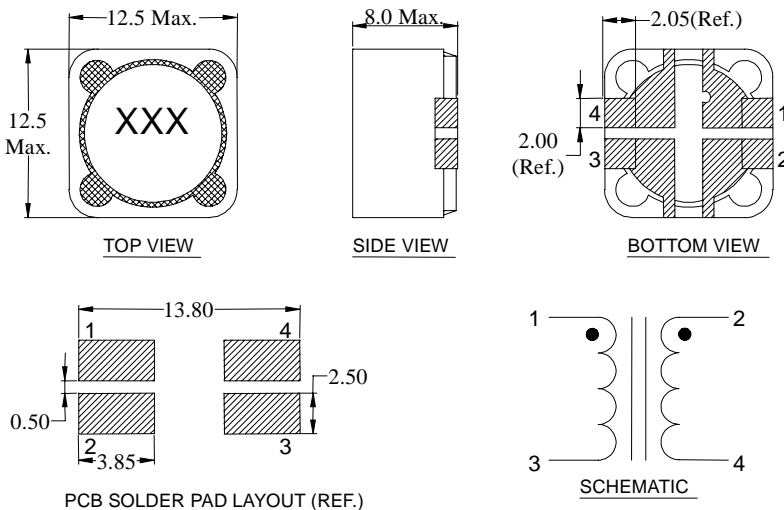
- Low Profile Surface Mount Design
- Flat Top for Pick and Place
- Inductance Range from 0.47µH to 1000.0µH (Parallel Ratings)
- Materials meet UL94V-0
- Operating Temp. -20°C to +80°C
- Tinned Leads with Leaded Solder is Available (note 8)



ELECTRICAL SPECIFICATIONS AT 25°C

Part No.	Rated Inductance (µH)	Parallel Ratings				Series Ratings			
		Inductance (µH) ± 20%	DCR (Ω) Typ.	I _{rms} (A) Max.	I _{sat} (A) Peak	Inductance (µH) ± 25%	DCR (Ω) Typ.	I _{rms} (A) Max.	I _{sat} (A) Peak
DR359-1-471	0.47	0.419	0.00195	17.9	56.0	1.676	0.0078	8.94	28.0
DR359-1-102	1.0	0.821	0.00261	15.5	40.0	3.284	0.0104	7.74	20.0
DR359-1-152	1.5	1.357	0.00341	13.5	31.1	5.428	0.0137	6.77	15.6
DR359-1-222	2.2	2.027	0.00373	12.5	25.5	8.108	0.0161	6.23	12.7
DR359-1-332	3.3	2.831	0.00567	10.4	21.5	11.32	0.0229	5.23	10.8
DR359-1-472	4.7	4.841	0.00971	8.25	16.5	19.36	0.0367	4.13	8.24
DR359-1-682	6.8	7.387	0.0116	7.34	13.3	29.55	0.0465	3.67	6.67
DR359-1-822	8.2	8.861	0.0157	6.32	12.2	35.44	0.0627	3.16	6.09
DR359-1-103	10.0	10.47	0.0172	6.04	11.2	41.88	0.0686	3.02	5.60
DR359-1-153	15.0	14.09	0.0247	5.03	9.66	56.36	0.0990	2.51	4.83
DR359-1-223	22.0	22.93	0.0391	4.00	7.57	91.72	0.1570	2.00	3.78
DR359-1-333	33.0	33.92	0.0600	3.23	6.22	135.7	0.2410	1.61	3.11
DR359-1-473	47.0	47.05	0.0719	2.95	5.28	188.2	0.2880	1.47	2.64
DR359-1-683	68.0	66.48	0.1050	2.44	4.44	265.9	0.4210	1.22	2.22
DR359-1-823	82.0	79.75	0.1430	2.09	4.06	319.0	0.5730	1.04	2.03
DR359-1-104	100.0	99.31	0.1630	1.96	3.64	397.2	0.6530	0.980	1.82
DR359-1-154	150.0	144.9	0.2470	1.59	3.01	579.6	0.9890	0.796	1.51
DR359-1-224	220.0	221.5	0.3760	1.29	2.43	886.0	1.500	0.645	1.22
DR359-1-334	330.0	323.6	0.5740	1.04	2.01	1294.0	2.300	0.522	1.01
DR359-1-474	470.0	467.1	0.8610	0.85	1.68	1868.0	3.400	0.427	0.838
DR359-1-684	680.0	676.7	1.0800	0.76	1.39	2707.0	4.320	0.380	0.697
DR359-1-824	820.0	818.1	1.4700	0.65	1.27	3272.0	5.880	0.325	0.633
DR359-1-105	1000.0	1005.0	1.6600	0.61	1.14	4020.0	6.640	0.307	0.571

MECHANICAL OUTLINES



- Notes**
1. All dimensions are shown in millimeter "mm"
 2. General tolerance ±0.2mm, unless other specified
 3. Inductance Test: 100kHz, 0.25Vrms, Parallel : (1,2-3,4), Series: (1-4) tie (2-3)
 4. I_{rms} for an approximate 40°C temperature rise
 5. I_{sat} for an approximate 30% drop maximum of the nominal value
 6. Turns Ratio (1-3) : (2-4) = 1 : 1
 7. Tape and reel quantity, 350 pcs/reel
 8. For non-RoHS parts replace DR prefix with 42- (e.g. DR359-1 becomes 42-359-1)
 9. Terminal finish is compliant to RoHS requirements. Solder in accordance with J-STD-020C.