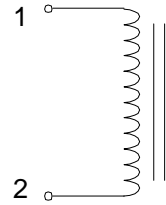


Surface Mount Self-Leaded Inductor

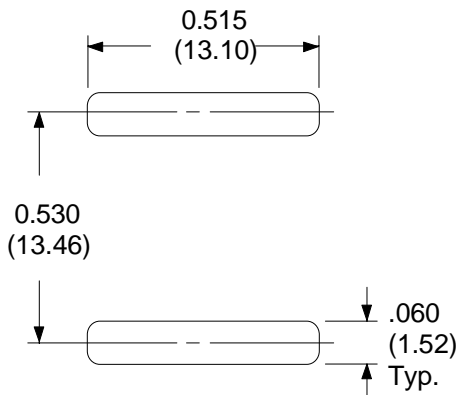
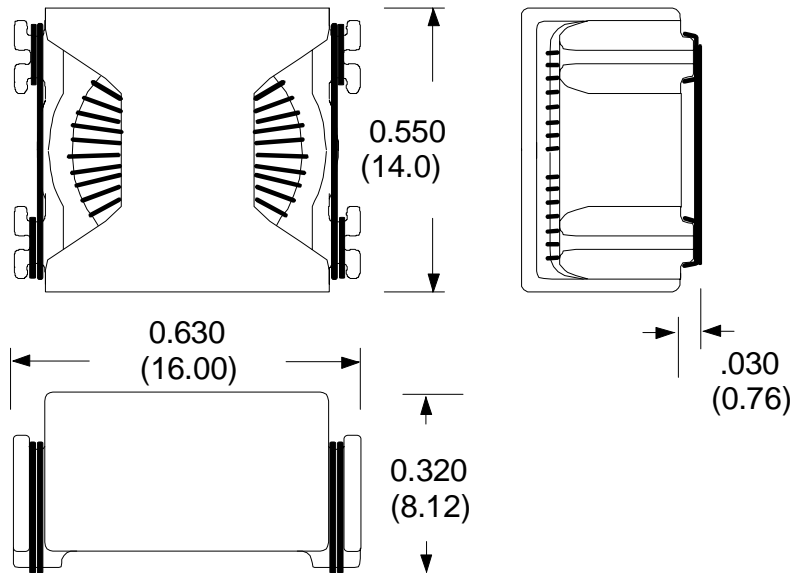
Electrical Specifications at 25°C. Operating Temp. Range: -30°C to +130°C

Part Number	L (μH)	I_{DC} (Amps)	E-T ⁽¹⁾ Product (V- μs)	DCR max. (Ω)
L-15362	115	0.67	29.7	0.4

Schematic Diagram



1) ET operated at 150 kHz except where designated



Suggested Pad Layout

RHOMBUS P/N: L-15362	
CUST P/N:	NAME:
DATE: 10/15/98	SHEET: 1 OF 1