

PLEASE CHECK WWW.MOLEX.COM FOR LATEST PART INFORMATION

Part Number: **0190020043**
Status: **Active**
Description: Avikrimp™ Fully Insulated Quick Disconnect, Female, for 14-16 AWG Wire, Mylar Tape

Documents:

[Drawing \(PDF\)](#) [RoHS Certificate of Compliance \(PDF\)](#)

Agency Certification

TUV R72090224
 UL E79133

General

Product Family Quick Disconnects
 Series 19002
 Crimp Quality Equipment Yes
 Product Name Avikrimp™
 Type Quick Disconnect

Physical

Barrel Type Closed
 Flammability 94V-2
 Gender Female
 Glow-Wire Compliant No
 Insulation Nylon (PA)
 Lock to Mating Part None
 Material - Metal Brass
 Orientation Straight
 Packaging Type Adhesive Tape on Reel
 Polarized to Mating Part No
 Tab Thickness 0.81mm (.032")
 Tab Width 5.21mm (.205")
 Temperature Range - Operating -65°C to +105°C
 Wire Insulation Diameter 3.94mm (.155") max.
 Wire Size AWG 14, 16
 Wire Size mm² 1.30 - 2.00

Electrical

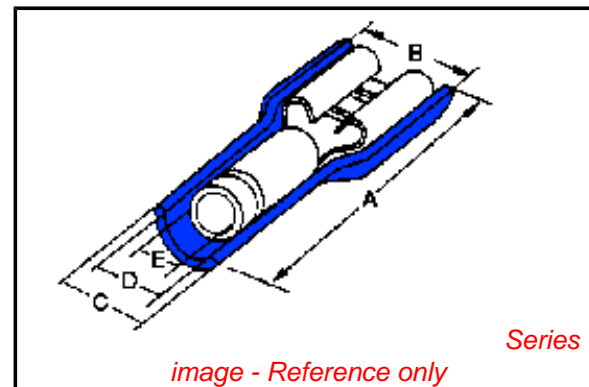
Voltage - Maximum 300V

Material Info

Old Part Number BB-5289T

Reference - Drawing Numbers

Sales Drawing SD-19002-004



EU RoHS

ELV and RoHS Compliant
REACH SVHC
 Not Reviewed
Halogen-Free Status
Not Reviewed

China RoHS



Need more information on product environmental compliance?

Email productcompliance@molex.com
 For a multiple part number RoHS Certificate of Compliance, [click here](#)

Please visit the [Contact Us](#) section for any non-product compliance questions.

Search Parts in this Series

19002Series

Application Tooling | [FAQ](#)

Tooling specifications and manuals are found by selecting the products below. Crimp Height Specifications are then contained in the Application Tooling Specification document.

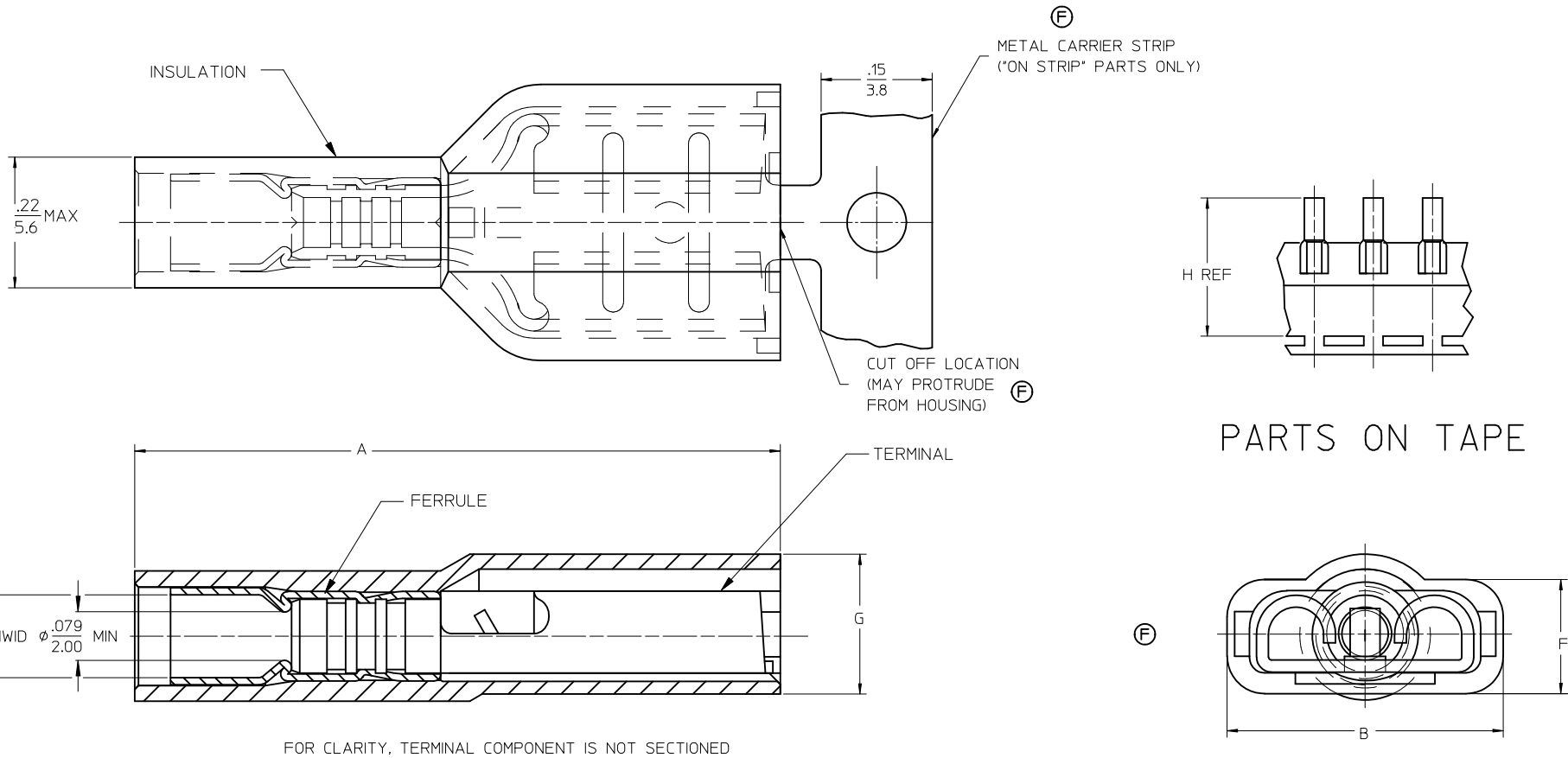
Global

| Description | Product # |
|---|-------------------|
| Crimp Dies for MTA-100 Tape Applicator used in 3BF Press, MTA-105 Tape Applicator used in TM-2000™ Press, and ATP-301 Air Crimping Press for Mylar Tape Mounted Terminals | <u>0192880130</u> |
| Mini-Mac™ Applicator | <u>0638850200</u> |

This document was generated on 04/13/2010

PLEASE CHECK WWW.MOLEX.COM FOR LATEST PART INFORMATION

| 13 | 12 | 11 | 10 | 9 | 8 | 7 | 6 | 5 | 4 | 3 | 2 | 1 | | |
|---------------------------|------------------------------|--------------------------|-----------------------------|-------------------------|----------------------------|-------------------------------|----------------------------------|-----------------------|-----------------|----------|---------|---------|---------|-------------|
| MATERIAL NUMBER LOOSE PCS | ENGINEERING NUMBER LOOSE PCS | MATERIAL NUMBER ON STRIP | ENGINEERING NUMBER ON STRIP | MATERIAL NUMBER ON TAPE | ENGINEERING NUMBER ON TAPE | MATERIAL NUMBER REVERSE WOUND | ENGINEERING NUMBER REVERSE WOUND | ACCEPTS TAB SIZE | STOCK THICKNESS | "A" MAX | "B" MAX | "F" REF | "G" MAX | "H" REF |
| 190020024 | BB-5263 | 190020027 | BB-5263Z | 190020025 | BB-5263T | 190020026 | BB-5263TR | .250x.032 (6.35x0.81) | .016/0.41 | .89/22.6 | .38/9.7 | .16/4.1 | .20/5.1 | 1.425/36.20 |
| 190020040 | BB-5287 | 190020041 | BB-5287Z | 190020048 | BB-5287T | --- | --- | .205x.020 (5.21x0.51) | .016/0.41 | .80/20.3 | .32/8.1 | .16/4.1 | .22/5.6 | 1.415/35.94 |
| 190020042 | BB-5289 | 190020061 | BB-5289Z | 190020043 | BB-5289T | --- | --- | .205x.032 (5.21x0.81) | .016/0.41 | .80/20.3 | .32/8.1 | .16/4.1 | .22/5.6 | 1.415/35.94 |
| 190020028 | BB-5269 | 190020030 | BB-5269Z | 190020029 | BB-5269T | --- | --- | .187x.020 (4.75x0.51) | .016/0.41 | .80/20.3 | .32/8.1 | .16/4.1 | .22/5.6 | 1.415/35.94 |
| 190020031 | BB-5273 | 190020033 | BB-5273Z | 190020032 | BB-5273T | --- | --- | .187x.032 (4.75x0.81) | .016/0.41 | .80/20.3 | .32/8.1 | .16/4.1 | .22/5.6 | 1.415/35.94 |
| 190020034 | BB-5277 | 190020036 | BB-5277Z | 190020035 | BB-5277T | --- | --- | .110x.020 (2.79x0.51) | .012/0.31 | .80/20.3 | .23/5.8 | .13/3.3 | .22/5.6 | 1.395/35.43 |
| 190020037 | BB-5281 | 190020039 | BB-5281Z | 190020038 | BB-5281T | --- | --- | .110x.032 (2.79x0.81) | .012/0.31 | .80/20.3 | .23/5.8 | .13/3.3 | .22/5.6 | 1.395/35.43 |



SALES DRAWING

NOTES:

- MATERIAL: TERMINAL BRASS
 TERMINAL PLATING: ELECTRO TIN
 FERRULE: COPPER ALLOY
 FERRULE PLATING: ELECTRO TIN
 INSULATION: NYLON 94V2, COLOR BLUE.
- MWID = MAXIMUM WIRE INSULATION DIAMETER
- ASSEMBLY IS ROHS COMPLIANT.

| FERRULE MAT'L DESC'R EC NO: MNA2009-0510 DRW:WETHRODAHL 2010/01/04 CHKD:JMACNEIL 2010/01/05 APPR:JMACNEIL 2010/01/05 | QUALITY SYMBOLS ▽=0 ▽=0 | GENERAL TOLERANCES (UNLESS SPECIFIED) <table border="1"> <thead> <tr> <th></th> <th>mm</th> <th>INCH</th> </tr> </thead> <tbody> <tr> <td>4 PLACES</td> <td>± ---</td> <td>± ---</td> </tr> <tr> <td>3 PLACES</td> <td>± ---</td> <td>± .005</td> </tr> <tr> <td>2 PLACES</td> <td>± 0.13</td> <td>± .01</td> </tr> <tr> <td>1 PLACE</td> <td>± 0.25</td> <td>± ---</td> </tr> </tbody> </table> | | mm | INCH | 4 PLACES | ± --- | ± --- | 3 PLACES | ± --- | ± .005 | 2 PLACES | ± 0.13 | ± .01 | 1 PLACE | ± 0.25 | ± --- | DIMENSION STYLE IN/MM | SCALE 1:1 | DESIGN UNITS INCH | THIRD ANGLE PROJECTION |
|---|-------------------------------|---|--------|---|------|----------------------------|-------|-------|----------|-------|--------|----------|--------|-------|---------|--------|-------|---------------------------------|---------------------|-----------------------------|------------------------|
| | | mm | INCH | | | | | | | | | | | | | | | | | | |
| | 4 PLACES | ± --- | ± --- | | | | | | | | | | | | | | | | | | |
| | 3 PLACES | ± --- | ± .005 | | | | | | | | | | | | | | | | | | |
| 2 PLACES | ± 0.13 | ± .01 | | | | | | | | | | | | | | | | | | | |
| 1 PLACE | ± 0.25 | ± --- | | | | | | | | | | | | | | | | | | | |
| DRAWN BY: BENDERLE DATE: 2005/04/11 CHECKED BY: R DEROSS DATE: 2005/04/11 APPROVED BY: R DEROSS DATE: 2005/04/11 | | TITLE AVIKRIMP FEMALE FIQD 16-14 AWG | | MOLEX INCORPORATED | | SHEET NO. 1 OF 1 | | | | | | | | | | | | | | | |
| MATERIAL NO. SEE CHART | | DOCUMENT NO. SD-19002-004 | | THIS DRAWING CONTAINS INFORMATION THAT IS PROPRIETARY TO MOLEX INCORPORATED AND SHOULD NOT BE USED WITHOUT WRITTEN PERMISSION | | | | | | | | | | | | | | | | | |
| DRAFT WHERE APPLICABLE MUST REMAIN WITHIN DIMENSIONS | | | | | | | | | | | | | | | | | | | | | |