

PLEASE CHECK WWW.MOLEX.COM FOR LATEST PART INFORMATION

Part Number: [0190740020](#)
Status: **Active**
Description: Krimptite™ Star Ring Tongue Terminal for 14-16 AWG Wire, Stud Size 10, Mylar Tape Carrier

Documents:

[Drawing \(PDF\)](#) [RoHS Certificate of Compliance \(PDF\)](#)

Agency Certification

CSA LR18689
 UL E32244

General

Product Family Ring and Spade Terminals
 Series [19074](#)
 Crimp Quality Equipment Yes
 Mil-Spec N/A
 Product Name Krimptite™
 Type Ring

Physical

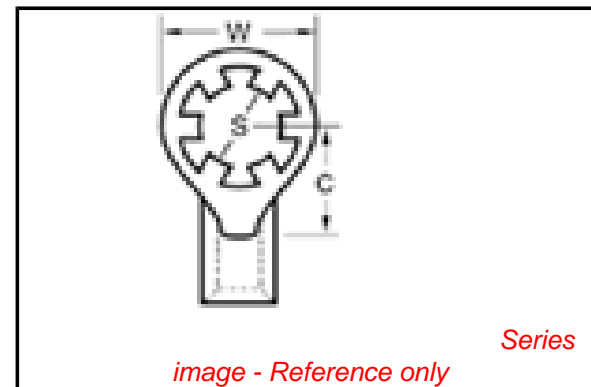
Barrel Type Closed
 Insulation None
 Material - Plating Mating Tin
 Packaging Type Adhesive Tape on Reel
 Stud Size 10 (M5)
 Termination Interface: Style Crimp or Compression
 Wire Size AWG 14, 16
 Wire Size mm² 1.00 - 2.60

Material Info

Old Part Number SRB-129-10T

Reference - Drawing Numbers

Sales Drawing SD-19074-001



EU RoHS

ELV and RoHS Compliant
REACH SVHC
 Not Reviewed
Halogen-Free Status
Not Reviewed

China RoHS



Need more information on product environmental compliance?

Email productcompliance@molex.com
 For a multiple part number RoHS Certificate of Compliance, [click here](#)

Please visit the [Contact Us](#) section for any non-product compliance questions.

Search Parts in this Series

[19074Series](#)

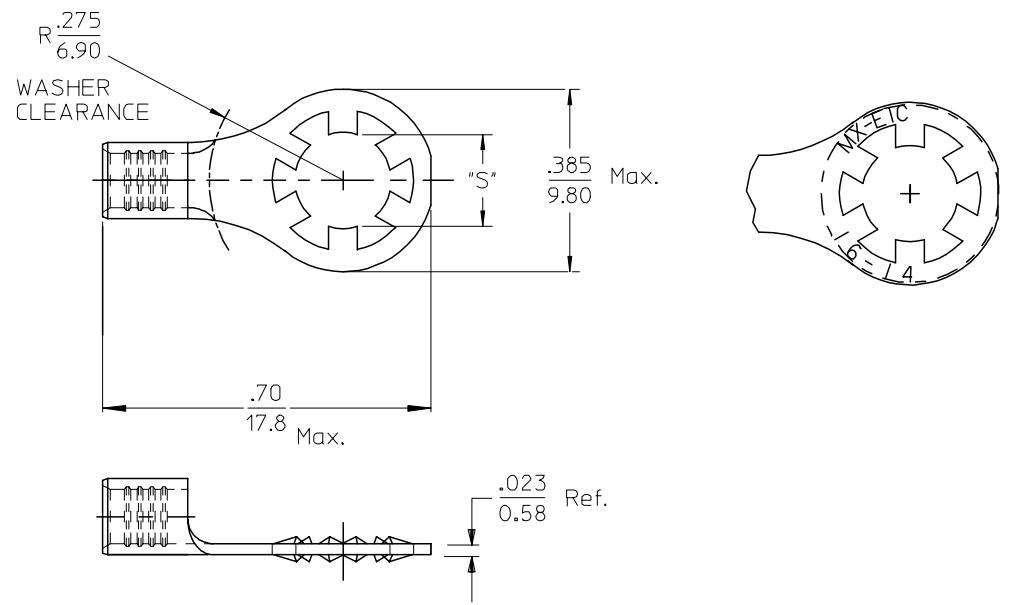
Application Tooling | [FAQ](#)

Tooling specifications and manuals are found by selecting the products below. Crimp Height Specifications are then contained in the Application Tooling Specification document.

Global

Description	Product #
ATP Perishable Tool Kit used in ATP presses that process product on tape	0190270184

MATERIAL NO.	ENG. NO.	STUD SIZE	"S" DIA.
190740015	SRB-129-06	6	.146
190740017	SRB-129-08	8	.173
190740019	SRB-129-10	10	.198



MATERIAL: BRASS
FINISH: ELECTRO-TIN PLATING

INITIAL RELEASE EC NO: ETC2006-0358 DRWN: JSCHOLEY 2006/04/10 CHKDR: DEROSS 2006/04/12 APPR: RDEROSS 2006/04/13	QUALITY SYMBOLS ▽=0 ▽=0	GENERAL TOLERANCES (UNLESS SPECIFIED)		DIMENSION STYLE	SCALE	DESIGN UNITS	THIRD ANGLE PROJECTION	
				IN/MM	4:1	INCH		
		4 PLACES ± --- ± ---	DRAWN BY	DATE	TITLE			
		3 PLACES ± --- ± .005	JBS	2006/04/05	LOCKING RING TONGUE TERMINAL 16-14 AWG			
2 PLACES ± 0.13 ± .01	CHECKED BY	DATE	MOLEX INCORPORATED					
1 PLACE ± 0.25 ± ---	R DEROSS	2006/04/05	MATERIAL NO. SEE CHART					
ANGULAR ±1/2°	APPROVED BY	DATE	DOCUMENT NO. SD-19074-001					
	R DEROSS	2006/04/05	SHEET NO. 1 OF 1					
			DRAFT WHERE APPLICABLE MUST REMAIN WITHIN DIMENSIONS					
			THIS DRAWING CONTAINS INFORMATION THAT IS PROPRIETARY TO MOLEX INCORPORATED AND SHOULD NOT BE USED WITHOUT WRITTEN PERMISSION					