

PLEASE CHECK WWW.MOLEX.COM FOR LATEST PART INFORMATION

Part Number: **0500348000**
Status: **Active**
Description: 2.00mm (.079") Pitch Board-In Crimp Terminal 50034, Reel

Documents:

3D Model [Product Specification PS-51015-002 \(PDF\)](#)
Drawing (PDF) [RoHS Certificate of Compliance \(PDF\)](#)
Product Specification PS-51015-001 (PDF)

General

Product Family Crimp Terminals
Series 50034
Crimp Quality Equipment Yes
Product Name Board-In

Physical

Gender Male
Material - Metal Phosphor Bronze
Material - Plating Mating Tin
Material - Plating Termination Tin
Packaging Type Reel
Plating min: Mating (µin) 36
Plating min: Mating (µm) 0.90
Plating min: Termination (µin) 36
Plating min: Termination (µm) 0.90
Termination Interface: Style Crimp or Compression
Wire Insulation Diameter 1.40mm (.055") max.
Wire Size AWG 26, 28, 30
Wire Size mm² N/A

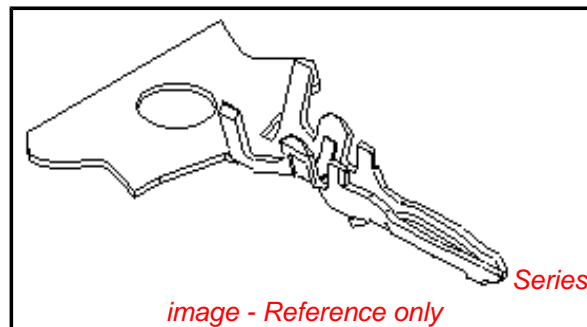
Electrical

Current - Maximum per Contact 1.5A, 1A, 2A
Voltage - Maximum 125V

Material Info

Reference - Drawing Numbers

Packaging Specification SPK-50034-001
Product Specification PS-51015-001, PS-51015-002, RPS-51015-001,
RPS-51015-003, RPS-51015-004, RPS-51015-005,
RPS-51015-006
Sales Drawing SD-50034-8*00



EU RoHS

**ELV and RoHS
Compliant
REACH SVHC
Contains SVHC: No
Halogen-Free
Status**

China RoHS



**Need more information on product
environmental compliance?**

Email productcompliance@molex.com
For a multiple part number RoHS Certificate of
Compliance, [click here](#)

Please visit the [Contact Us](#) section for any
non-product compliance questions.

Search Parts in this Series

50034Series

Use With

51015

Application Tooling | FAQ

*Tooling specifications and manuals are
found by selecting the products below.
Crimp Height Specifications are then
contained in the Application Tooling
Specification document.*

Global

| Description | Product # |
|--|----------------------------|
| FineAdjust™ Applicator for 2.00mm (.079") Pitch Micro Blade Wire-to- Wire Terminal, 26-30 AWG | 0639004000 |
| T2 Terminator Tooling Die | 0639104000 |

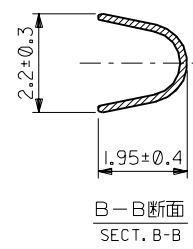
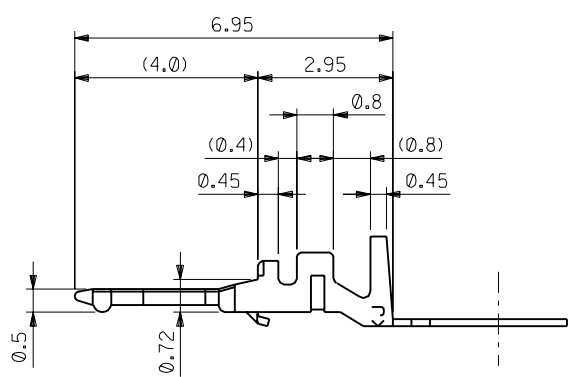
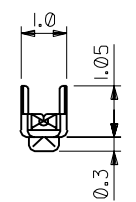
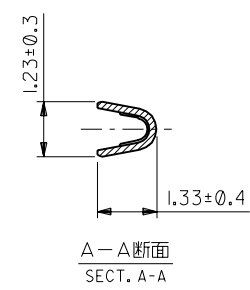
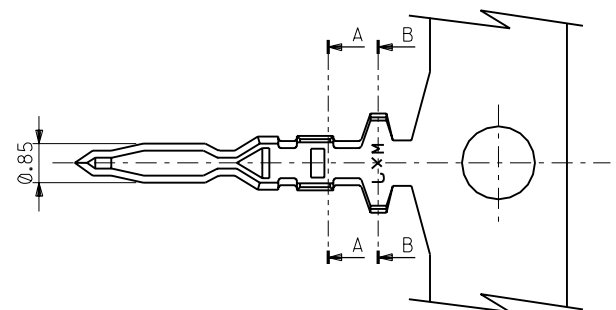
Japan

| Description | Product # |
|---|----------------------------|
| Applicator for M21 1A Bench Press, 26-30 | 0570553000 |

AWG, for 50034
Crimp Terminal
Side-Feed Applicator 0570553200
For Full-Auto
Machine
Extraction Tool 0570576000

This document was generated on 05/20/2010

PLEASE CHECK WWW.MOLEX.COM FOR LATEST PART INFORMATION



注)
NOTE.
1. 適合ハウジング: 51015-***00
APPLICABLE HOUSING: 51015-***00

| | | |
|------------|-----|-------|
| 50034-8100 | バラ状 | LOOSE |
| 50034-8000 | 連鎖状 | CHAIN |
| ENG. NO. | 形状 | FORM |

| | | | |
|-----------------------------|-------------------------------|---|--|
| DIMENSIONS: | | SHT | REV |
| <input type="checkbox"/> mm | <input type="checkbox"/> INCH | <input checked="" type="checkbox"/> mm ONLY | <input checked="" type="checkbox"/> REVISE ON CAD ONLY |

| | | | | | | | | | | | | | | | |
|----------------------|----------------------------------|----------------------------------|----------------------------------|----------------------------------|--|---|---|---|--|---|--|--------------------|------------------------------|----------------|-----------|
| DO NOT SCALE DRAWING | EG4NO. DRWN: CHK: APPR: | EG3NO. DRWN: CHK: APPR: | EG2NO. DRWN: CHK: APPR: | EG1NO. DRWN: CHK: APPR: | REDRAWN EG0NO. JC2000-0629 DRWN: K.KOHAMA CHK: T.YAMAGUCHI APPR: M.FUKUSHIMA | MATERIAL 材料 錫めつき済 りん青銅 PHOS. BRO. TIN-PLATED | GENERAL TOLERANCES: (UNLESS SPECIFIED) 一般公差 | SCALE 10:1 | DESIGN UNITS <input checked="" type="checkbox"/> mm <input type="checkbox"/> INCH | PROJECTION <input checked="" type="checkbox"/> FIRST ANGLE | TITLE: 2.0 BOARD IN CONN. CRIMP PIN | MOLEX INCORPORATED | DRAWING NO. SD-50034-8*00 | SHEET NO. 1 | |
| | FINISH 仕上り | --- | WIRE RANGE 適用線径範囲 | AWG #26-#30 | ANGLE 角度 | +3° | CAD FILENAME S50034.S01 | MATERIAL NO. 50034-8*00 | INS. RANGE 被覆外径 | ∅1.4 MAX. | 2888 DRAWING CONTAINS INFORMATION THAT IS PROPRIETARY TO MOLEX INCORPORATED AND SHOULD NOT BE USED WITHOUT WRITTEN PERMISSION. | | | | SIZE B |
| | UNDER 未満 | +0.2 | 10 OVER 以上 | 30 UNDER 未満 | +0.25 | 30 OVER 以上 | +0.3 | DRAWN BY & DATE K.KOHAMA 00/ 3/28 | CHECKED BY & DATE T.YAMAGUCHI 007 3/30 | APPROVED BY & DATE M.FUKUSHIMA 00/ 3/30 | | | | | |
| | | | | | | | | | | | | | | | |
| | | | | | | | | | | | | | | | |