

PLEASE CHECK WWW.MOLEX.COM FOR LATEST PART INFORMATION

Part Number: [0350369702](#)
Status: **Active**
Description: .250mm (.009") Fuse Terminal, .3mm2 - .5mm2

Documents:

[Drawing \(PDF\)](#) [Product Specification PS-35827-001 \(PDF\)](#)
[Product Specification PS-35036-002 \(PDF\)](#) [RoHS Certificate of Compliance \(PDF\)](#)

General

Product Family	Crimp Terminals
Series	35036
Comments	Box Type
Crimp Quality Equipment	Yes
Product Name	N/A

Physical

Durability (mating cycles max)	10
Gender	Receptacle
Material - Metal	Brass
Material - Plating Mating	Tin
Material - Plating Termination	Tin
Packaging Type	Reel
Termination Interface: Style	Crimp or Compression
Wire Insulation Diameter	4.8mm (.181")
Wire Size AWG	10, 12
Wire Size mm ²	2.06MM, 2.59MM

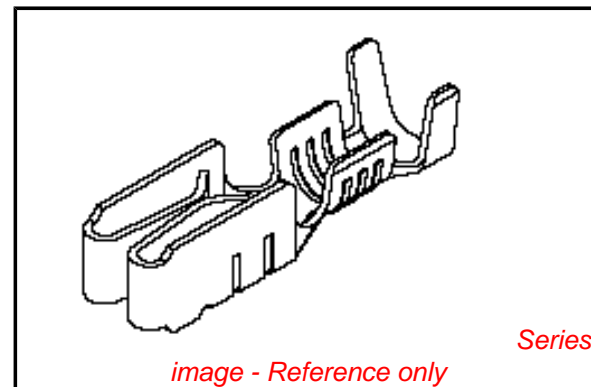
Electrical

Current - Maximum per Contact	22A, 25A
Voltage - Maximum	3V

Material Info

Reference - Drawing Numbers

Product Specification	PS-35036-002, PS-35827-001
Sales Drawing	SD-35036-001



EU RoHS

**ELV and RoHS
Compliant**
**REACH SVHC
Contains SVHC: No**
**Halogen-Free
Status**

China RoHS

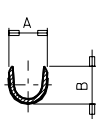
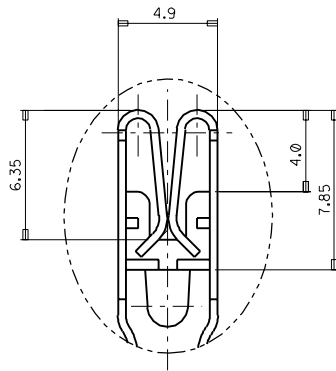
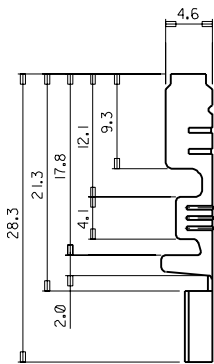
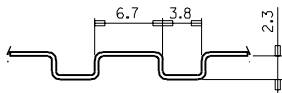
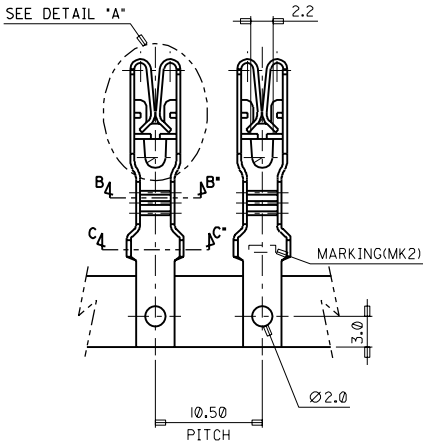


**Need more information on product
environmental compliance?**

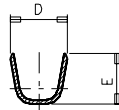
Email productcompliance@molex.com
 For a multiple part number RoHS Certificate of
 Compliance, [click here](#)

Please visit the [Contact Us](#) section for any
 non-product compliance questions.

Search Parts in this Series
 35036Series



SECTION B-B"



SECTION C-C"

DETAIL "A"

NOTE

1. MATERIAL: BRASS
THICKNESS: 0.4 mm
2. PLATING: PRE-TIN PLATING
3. WIRE SIZE: 0.3-0.5SO: 35036-9902
0.85-2.5SO: 35036-9802
3.0-5.0SO: 35036-9702

PART NO.	A	B	D	E
35036-9902	2.8	3.0	4.8	3.8
35036-9802	4.0	3.6	5.6	5.0
35036-9702	5.6	5.4	6.0	5.3

EC. NO. KOR1998-0089 DRWG. B.C.YOON '98.5.30 CHK. B.C.YOON '98.5.30 APPR.	QUALITY SYMBOLS MAJOR \blacktriangledown = 0 CRITICAL \blacktriangledown = 0 MINOR ∇ = 0	GENERAL TOLERANCES (UNLESS SPECIFIED)	SCALE 3:1	DESIGN UNITS <input checked="" type="checkbox"/> mm <input type="checkbox"/> INCH	DIMENSIONS: <input type="checkbox"/> mm <input type="checkbox"/> INCH <input type="checkbox"/> mm ONLY	SHT REV REVISE ON CAD ONLY
		DRAWN BY B. DATE B.C.YOON '97.10.24	CHECKED BY & DATE B.K.CHOI '97.10.24	APPROVED BY & DATE C.W.LEE '97.10.24	THIRD ANGLE PROJECTION <input checked="" type="checkbox"/> THIRD ANGLE <input type="checkbox"/> FIRST ANGLE	TITLE: 250 FUSE TERMINAL (BOX TYPE)
CAD FILENAME sd35036.dgn	MATERIAL NO. SEE TABLE	DRAWING NO. SD-35036-001	SHEET NO. 1 OF 1	THIS DRAWING CONTAINS INFORMATION THAT IS PROPRIETARY TO MOLEX INCORPORATED AND SHOULD NOT BE USED WITHOUT WRITTEN PERMISSION.		