

**PLEASE CHECK WWW.MOLEX.COM FOR LATEST PART INFORMATION**

**Part Number:** **0545520902**  
**Status:** **Active**  
**Description:** 0.40mm (.016") Pitch Board-to-Board SlimStack™ Receptacle, SMT, Dual Row, with Plastic Pegs, Right Angle, 90 Circuits

**Documents:**

[3D Model](#) [Product Specification PS-54552-023 \(PDF\)](#)  
[Drawing \(PDF\)](#) [RoHS Certificate of Compliance \(PDF\)](#)

**General**

Product Family PCB Receptacles  
 Series [54552](#)  
 Application Board-to-Board  
 Product Name SlimStack™

**Physical**

Circuits (Loaded) 90  
 Color - Resin Brown  
 Durability (mating cycles max) 30  
 Glow-Wire Compliant No  
 Mated Height (in) 0.167 In  
 Mated Height (mm) 4.25 mm  
 Material - Metal Phosphor Bronze  
 Material - Plating Mating Gold  
 Material - Plating Termination Tin  
 Number of Rows 2  
 Orientation Right Angle  
 PCB Locator Yes  
 PCB Retention None  
 Packaging Type Embossed Tape on Reel  
 Pitch - Mating Interface (in) 0.016 In  
 Pitch - Mating Interface (mm) 0.40 mm  
 Polarized to PCB No  
 Temperature Range - Operating -40°C to +85°C  
 Termination Interface: Style Surface Mount

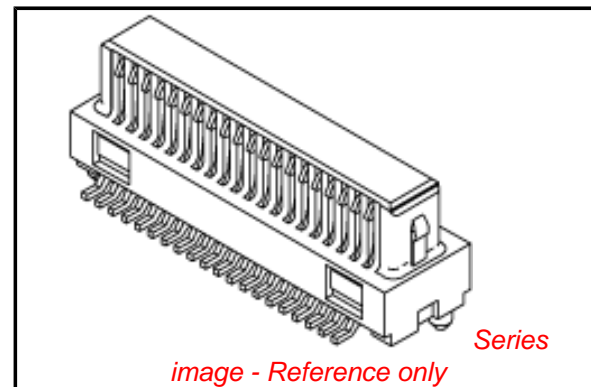
**Electrical**

Current - Maximum per Contact 0.3A  
 Voltage - Maximum 30V AC (RMS)/DC

**Material Info**

**Reference - Drawing Numbers**

Packaging Specification SPK-54552-017  
 Product Specification PS-54552-023  
 Sales Drawing SD-54552-023, SD-54552-024



**EU RoHS**

**ELV and RoHS  
 Compliant**  
**REACH SVHC  
 Not Reviewed**  
**Halogen-Free  
 Status  
 Not Reviewed**

**China RoHS**



**Need more information on product  
 environmental compliance?**

Email [productcompliance@molex.com](mailto:productcompliance@molex.com)  
 For a multiple part number RoHS Certificate of  
 Compliance, [click here](#)

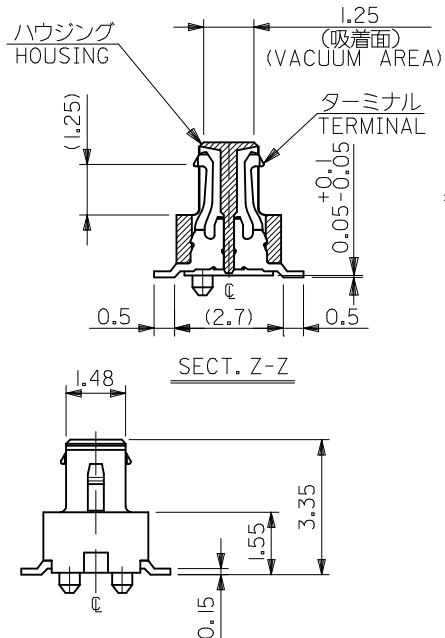
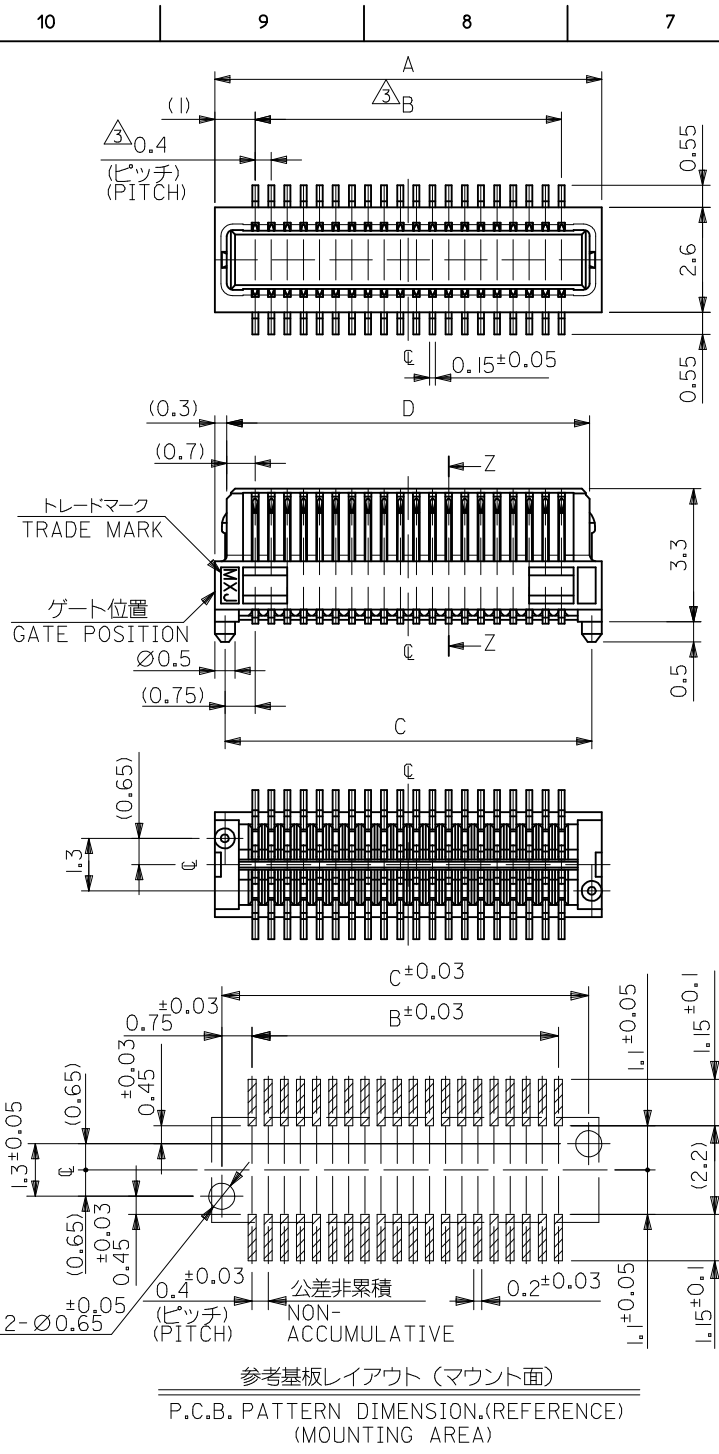
Please visit the [Contact Us](#) section for any  
 non-product compliance questions.

**Search Parts in this Series**

[54552Series](#)

**Mates With**

[55394 PCB Header](#)

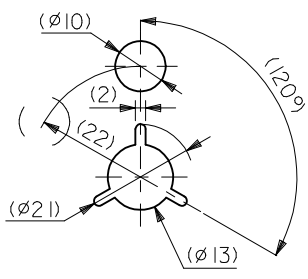
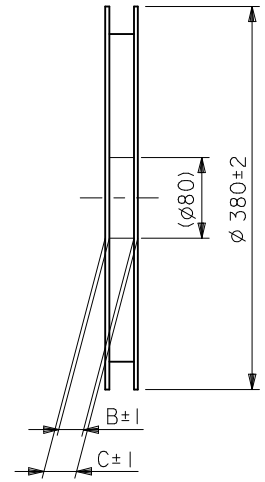
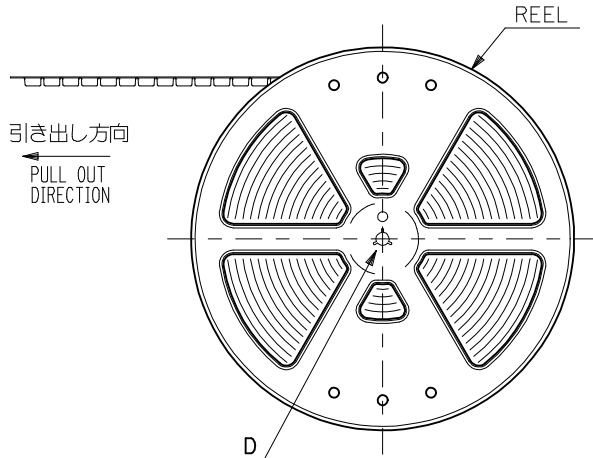


注記 NOTES

1. 使用材料 MATERIAL  
 ハウジング:液晶ポリマー ガラス充填 UL94V-0 茶色  
 HOUSING:LIQUID CRYSTAL POLYMER, GLASS FILLED, UL94V-0, COLOR BROWN  
 ターミナル:リン青銅 (t=0.15)  
 TERMINAL:PHOSPHOR BRONZE(t=0.15)
2. メッキ仕様 PLATING  
 金メッキ (コンタクト部)  
 GOLD PLATING (CONTACT AREA)  
 錫メッキ (テール部)  
 TIN PLATING (TAIL AREA)  
 下地メッキ:ニッケルメッキ  
 UNDER PLATING: NICKEL
- △ テール部に適用。  
 APPLY TO THE TAIL AREA.
4. 嵌合相手:55394 / 503376 シリーズ  
 MATE WITH: 55394 / 503376 SERIES.
5. テール平坦度は、0.08以下  
 TAIL COPLANARITY TO BE 0.08MAXIMUM
6. ELV及びRoHS適合品  
 ELV AND RoHS COMPLIANT

23.0	23.1	21.6	23.6	54552-1102	54552-1100	110
19.0	19.1	17.6	19.6	54552-0902	54552-0900	90
9.0	9.1	7.6	9.6	54552-0402	54552-0400	40
7.8	7.9	6.4	8.4	54552-0342	54552-0340	34
7.0	7.1	5.6	7.6	54552-0302	54552-0300	30
D	C	B	A	EMBOSSD TAPE	MATERIAL No.	CKT.
				ORDER No. オーダー番号	MODEL No. : 54552-***0	

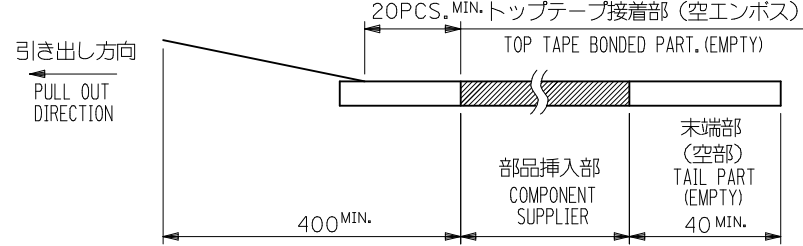
REVISED EC NO: J2009-2156 DRWN: TAKASAKI 2009/03/26 CHKD: THARUYAMA 2009/03/27 APPR: NUKITA 2009/03/30	DESCRIPTION	GENERAL TOLERANCES (UNLESS SPECIFIED)		DIMENSION STYLE		SCALE	DESIGN UNITS	THIRD ANGLE PROJECTION		
				MM ONLY		---	METRIC	<input checked="" type="checkbox"/> THIRD ANGLE <input type="checkbox"/> FIRST ANGLE		
		10 UNDER	±0.2	DRAWN BY	DATE	TITLE				
		10 OVER 30 UNDER	±0.25	N. AIDA	'05/02/03	0.4 B/B CONN RA REC HSG ASSY				
30 OVER	±0.3	CHECKED BY	DATE							
		K. TOYODA	'05/02/03	MOLEX INCORPORATED						
		APPROVED BY	DATE							
		N. UKITA	'05/02/03	SD-54552-023						
		MATERIAL NO.								
		SEE TABLE		DOCUMENT NO.		SHEET NO.				
		DRAFT WHERE APPLICABLE MUST REMAIN WITHIN DIMENSIONS		THIS DRAWING CONTAINS INFORMATION THAT IS PROPRIETARY TO MOLEX INCORPORATED AND SHOULD NOT BE USED WITHOUT WRITTEN PERMISSION		1 OF 1				



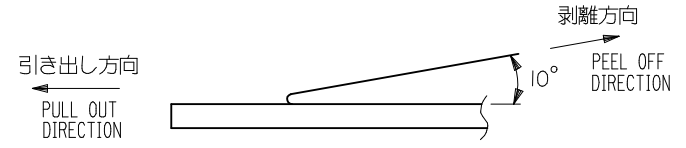
DETAIL D

NOTES

- 製品詳細寸法については SD-54552-023 を参照下さい。  
RE DETAILED DIMENSION, SEE SD-54552-023.
- 梱包数量：1500個/リール  
NUMBER OF CONNECTORS : 1500PCS/REEL
- リードテープ長さ LEAD TAPE LENGTH



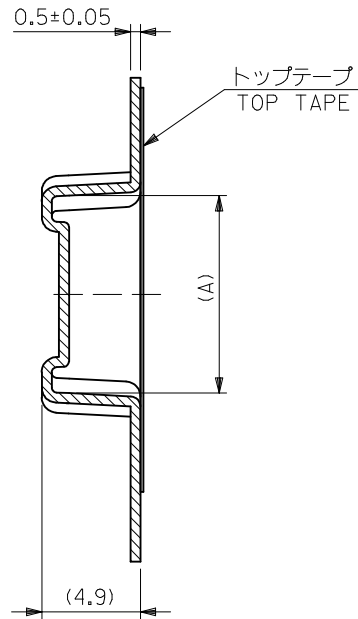
- トップテープの剥離強度：0.1～1.3N {10～130gf} (剥離方向は下図参照)  
尚、本規格値は出荷時に適用。(但し、輸送時に剥離が発生しないこと。)  
PEELING OFF FORCE OF TOP TAPE : 0.1～1.3N {10～130gf}  
(PEELING DIRECTION AS SHOWN IN FOLLOWING FIG.)  
THIS REQUIREMENT SHOULD BE APPLIED AT SHIPMENT.  
PEEL OFF SHOULD NOT BE ALLOWED , DURING TRANSPORTATION.



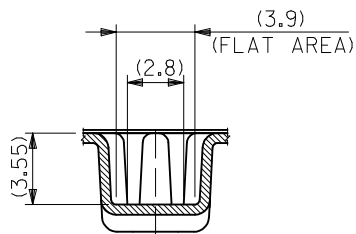
- 材料 (MATERIAL)  
キャリアテープ (CARRIER TAPE) : ポリプロピレン (POLYPROPYLENE)  
トップテープ (TOPTAPE) : PET , PE , PEF  
リール (REEL) : ポリスチレン (P S) <リサイクル材を含む>  
POLYSTYRENE (PS) <RECYCLE MATERIAL CONTAINED>
- ELV及RoHS適合品  
ELV AND RoHS COMPLIANT

54552-1102	110
54552-0902	90
54552-0402	40
54552-0342	34
54552-0302	30
MATERIAL NO.	極数 CIRCUITS

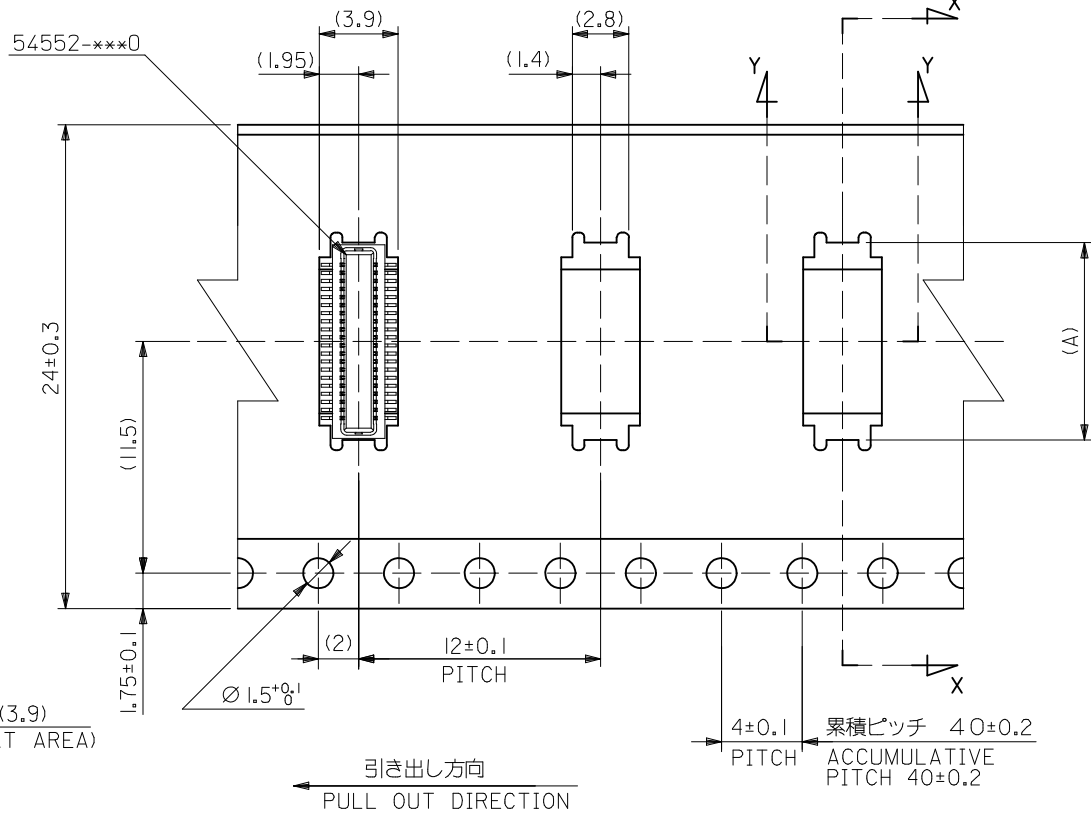
REVISED EC NO: J2009-2156 DRWN: TAKASAKI 2009/03/26 CHKD: THARUYAMA 2009/03/27 APPR: NUKITA 2009/03/30	GENERAL TOLERANCES (UNLESS SPECIFIED)		DIMENSION STYLE MM ONLY		SCALE ---	DESIGN UNITS METRIC	THIRD ANGLE PROJECTION
	10 UNDER	±0.2	DRAWN BY N. AIDA	DATE '05/02/03	TITLE EMBSTP PKG FOR 0.4 B/B CONN RA REC HSG ASSY		
	10 OVER 30 UNDER	±0.25	CHECKED BY K. TOYODA	DATE '05/02/03	MOLEX INCORPORATED		
	30 OVER	±0.3	APPROVED BY N. UKITA	DATE '05/02/03	MATERIAL NO. SEE TABLE	DOCUMENT NO. SD-54552-024	SHEET NO. 1 OF 4
	ANGULAR ±3 °	THIS DRAWING CONTAINS INFORMATION THAT IS PROPRIETARY TO MOLEX INCORPORATED AND SHOULD NOT BE USED WITHOUT WRITTEN PERMISSION					
	DRAFT WHERE APPLICABLE MUST REMAIN WITHIN DIMENSIONS						



SECT X-X



SECT Y-Y

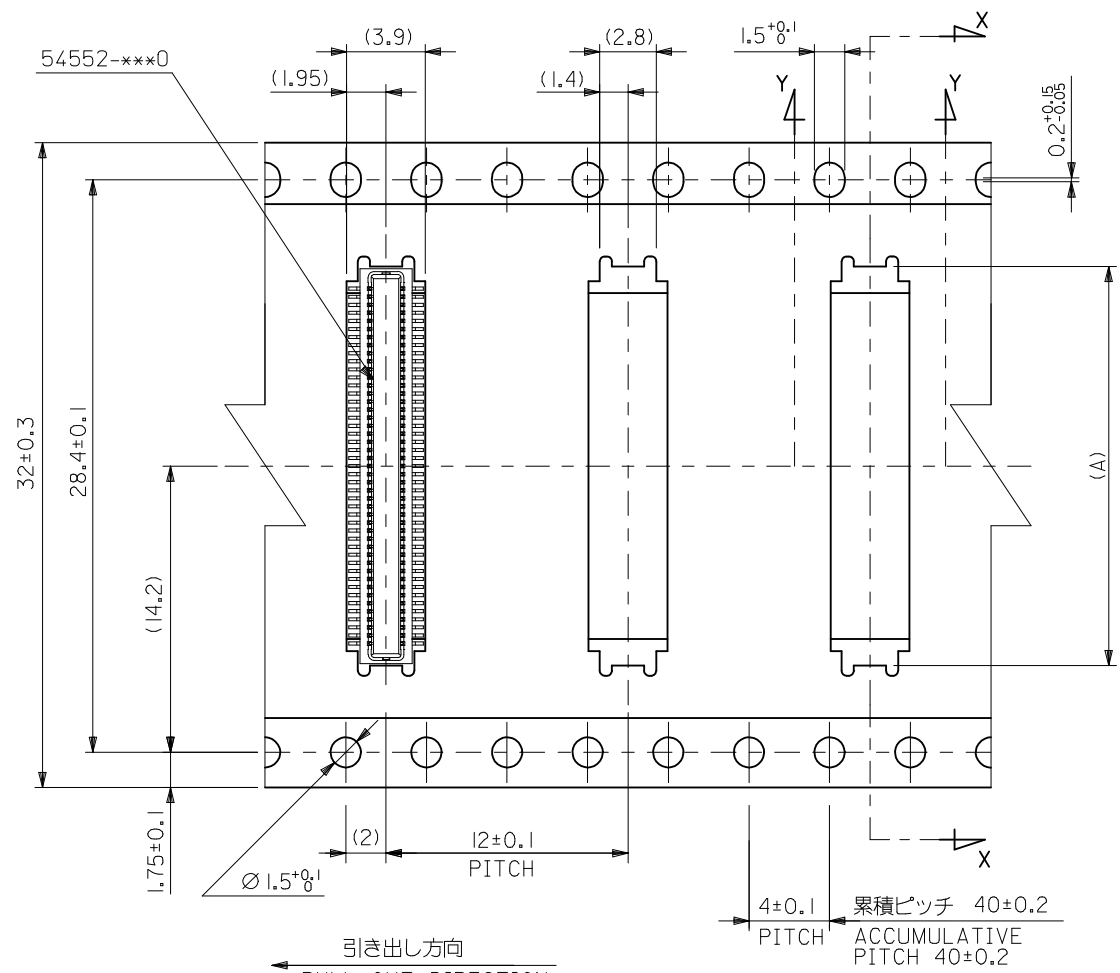
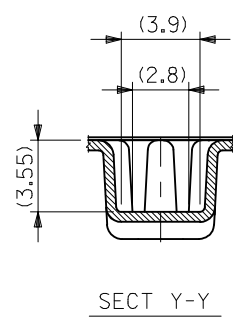
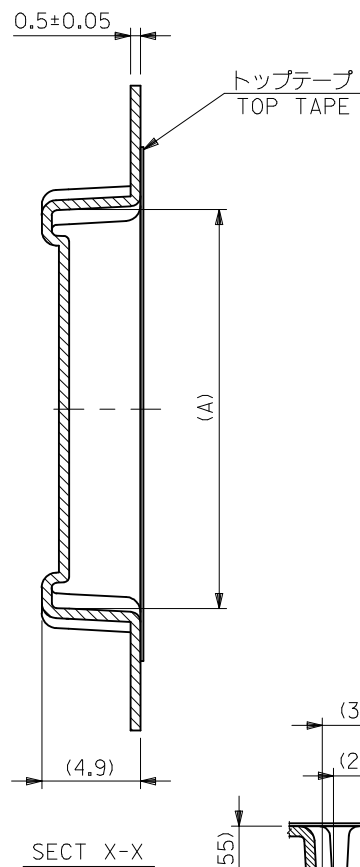


24mm幅キャリアテープ  
24mm WIDTH CARRIER TAPE

24	29.4	25.4	9.8	54552-0402	40
			8.6	54552-0342	34
			7.8	54552-0302	30
キャリアテープ幅 CARRIER TAPE WIDTH	C	B	(A)	MATERIAL NO.	極数 CIRCUITS

MODEL NO. 54552-\*\*\*2

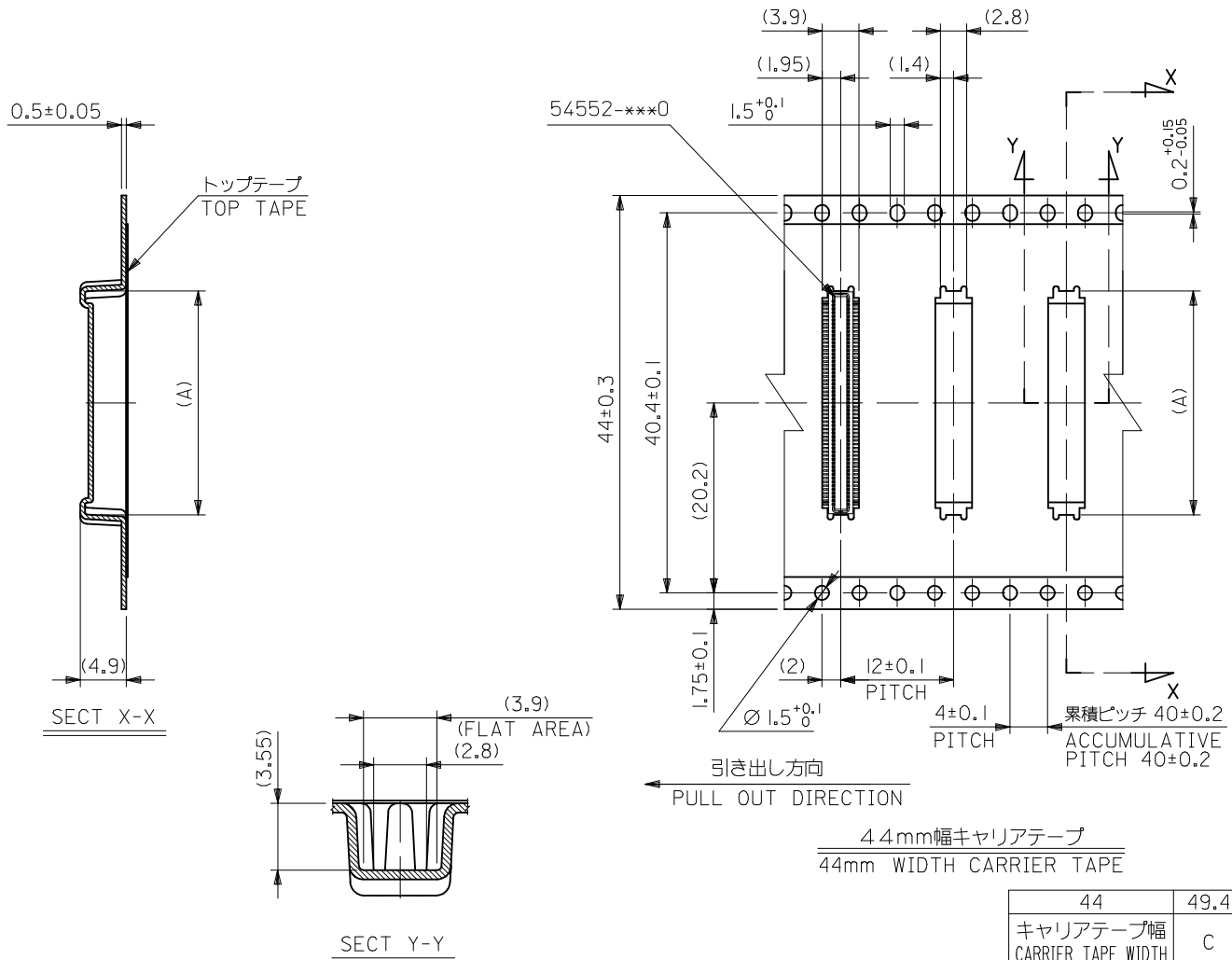
REVISED EC NO: J2009-2156 DRWN:MTAKASAKI 2009/03/26 CHKD:THARUYAMA 2009/03/27 APPR:NUKITA 2009/03/30	GENERAL TOLERANCES (UNLESS SPECIFIED)		DIMENSION STYLE MM ONLY		SCALE ---	DESIGN UNITS METRIC	THIRD ANGLE PROJECTION	
	10 UNDER	±0.2	DRAWN BY N. AIDA	DATE '05/02/03	TITLE EMBSTP PKG FOR 0.4 B/B CONN RA REC HSG ASSY			
	10 OVER 30 UNDER	±0.25	CHECKED BY K. TOYODA	DATE '05/02/03	MOLEX INCORPORATED			
	30 OVER	±0.3	APPROVED BY N. UKITA	DATE '05/02/03	DOCUMENT NO. SD-54552-024		SHEET NO. 2 OF 4	
	ANGULAR ±3 °	DRAFT WHERE APPLICABLE MUST REMAIN WITHIN DIMENSIONS		THIS DRAWING CONTAINS INFORMATION THAT IS PROPRIETARY TO MOLEX INCORPORATED AND SHOULD NOT BE USED WITHOUT WRITTEN PERMISSION				



引き出し方向  
PULL OUT DIRECTION  
32mm幅キャリアテープ  
32mm WIDTH CARRIER TAPE

32	37.4	33.4	19.8	54552-0902	90
キャリアテープ幅 CARRIER TAPE WIDTH	C	B	(A)	MATERIAL NO.	極数 CIRCUIT

REVISED EC NO: J2009-2156 DRWN:MTAKASAKI 2009/03/26 CHKD:THARUYAMA 2009/03/27 APPR:NUKITA 2009/03/30	GENERAL TOLERANCES (UNLESS SPECIFIED)		DIMENSION STYLE MM ONLY	SCALE ---	DESIGN UNITS METRIC	MODEL NO. 54552-***2
	10 UNDER	±0.2	DRAWN BY N. AIDA	DATE '05/02/03	TITLE EMBSTP PKG FOR 0.4 B/B CONN RA REC HSG ASSY	THIRD ANGLE PROJECTION
	10 OVER 30 UNDER	±0.25	CHECKED BY K. TOYODA	DATE '05/02/03	MOLEX INCORPORATED	
	30 OVER	±0.3	APPROVED BY N. UKITA	DATE '05/02/03	DOCUMENT NO. SD-54552-024	SHEET NO. 3 OF 4
REV	DESCRIPTION	ANGULAR ±3 ° DRAFT WHERE APPLICABLE MUST REMAIN WITHIN DIMENSIONS	MATERIAL NO. SEE TABLE	THIS DRAWING CONTAINS INFORMATION THAT IS PROPRIETARY TO MOLEX INCORPORATED AND SHOULD NOT BE USED WITHOUT WRITTEN PERMISSION		



44mm幅キャリアテープ  
44mm WIDTH CARRIER TAPE

44	49.4	45.4	23.8	54552-1102	110
キャリアテープ幅 CARRIER TAPE WIDTH	C	B	(A)	MATERIAL NO.	極数 CIRCUITS

<b>REVISED</b> EC NO: J2009-2156 DRWN: TAKASAKI 2009/03/26 CHKD: THARUYAMA 2009/03/27 APPR: NUKITA 2009/03/30	GENERAL TOLERANCES (UNLESS SPECIFIED)		DIMENSION STYLE <b>MM ONLY</b>		SCALE ---	DESIGN UNITS <b>METRIC</b>	MODEL NO. 54552-***2
	10 UNDER	±0.2	DRAWN BY N. AIDA	DATE '05/02/03	TITLE <b>EMBSTP PKG FOR 0.4 B/B CONN RA REC HSG ASSY</b>		
	10 OVER 30 UNDER	±0.25	CHECKED BY K. TOYODA	DATE '05/02/03	MATERIAL NO. <b>SEE TABLE</b>		
	30 OVER	±0.3	APPROVED BY N. UKITA	DATE '05/02/03	DOCUMENT NO. <b>SD-54552-024</b>		
REV	DESCRIPTION	ANGULAR ±3 °	SIZE <b>A3</b>		SHEET NO. <b>4 OF 4</b>		
		DRAFT WHERE APPLICABLE MUST REMAIN WITHIN DIMENSIONS	THIS DRAWING CONTAINS INFORMATION THAT IS PROPRIETARY TO MOLEX INCORPORATED AND SHOULD NOT BE USED WITHOUT WRITTEN PERMISSION				