

## TECHNICAL DESCRIPTION / APPLICATION

### MULTI-MIX<sup>®</sup> FILTERS

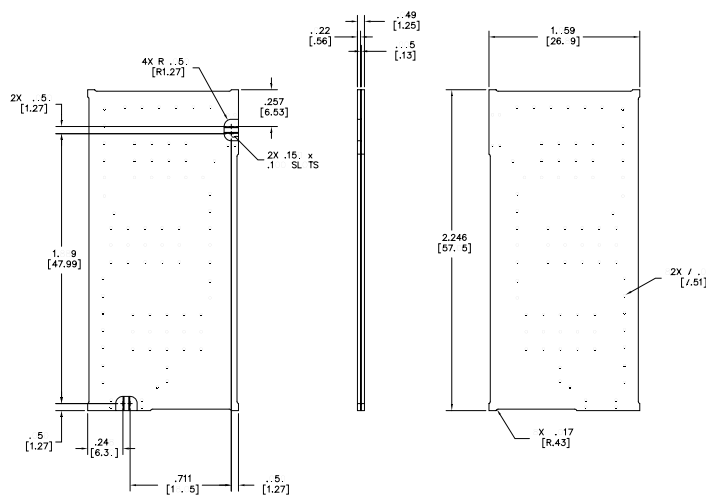
Merrimac's FBGE Series bandpass filters combine the features of Merrimac's patented Multi-Mix<sup>®</sup> multilayer fabrication technology with the ability to operate to three times their center frequency without reentrant spurious passbands. They typically offer better overall performance than filters designed to the same specification with conventional filter fabrication techniques.



## GENERAL SPECIFICATIONS

FILTER TYPE	OPERATING PASSBAND (MIN)	PASSBAND INSERTION LOSS (MAX)	REJECTION (dB MIN)	INPUT/OUTPUT VSWR
BANDPASS	2 - 4 GHz	3.0 dB	40 dB MIN (0-1.0 GHz) 45 dB MIN (5 GHz) 35 dB MIN (5 - 7 GHz)	1.5:1 (MAX) @ 2 - 4 GHz
SIZE (INCHES)	WEIGHT (GRAMS/OZ.)	RF INTERFACE/ CONNECTIONS	OPERATING TEMPERATURE	
1.059 x 2.246 x 0.049	5.2 / 0.2	CPWG or Surface Mount	-55° - +95° C	

## PACKAGE OUTLINE



### NOTES

- TOLERANCES IN ANGLES ±5°  
N 2 PLACE DECIMALS ±.1  
N 3 PLACE DECIMALS (FEATURE L.GATE INSIDE AREA F PART) ±.2  
N 3 PLACE DECIMALS (FEATURE L.GATE OUTSIDE AREA F PART) ±.5  
N 4 PLACE DECIMALS ±.5
- MAX. IS LARGEST DIMENSION ALL: WE -
- DIMENSIONS IN INCHES [mm]
- METRIC EQUIVALENTS ARE TO THE NEAREST .1mm.

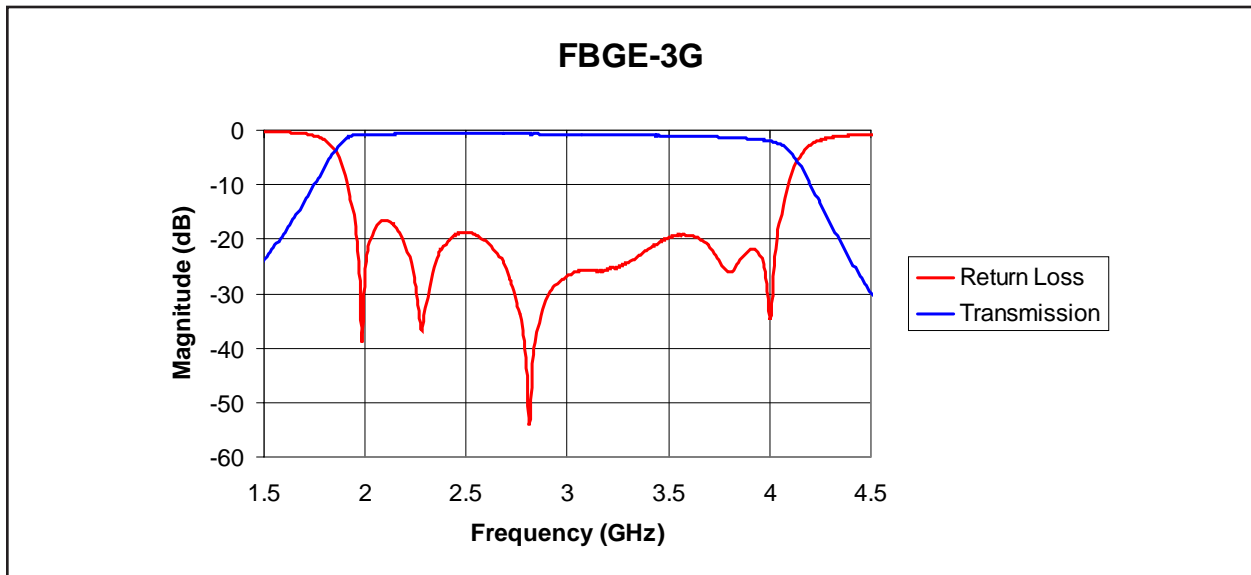
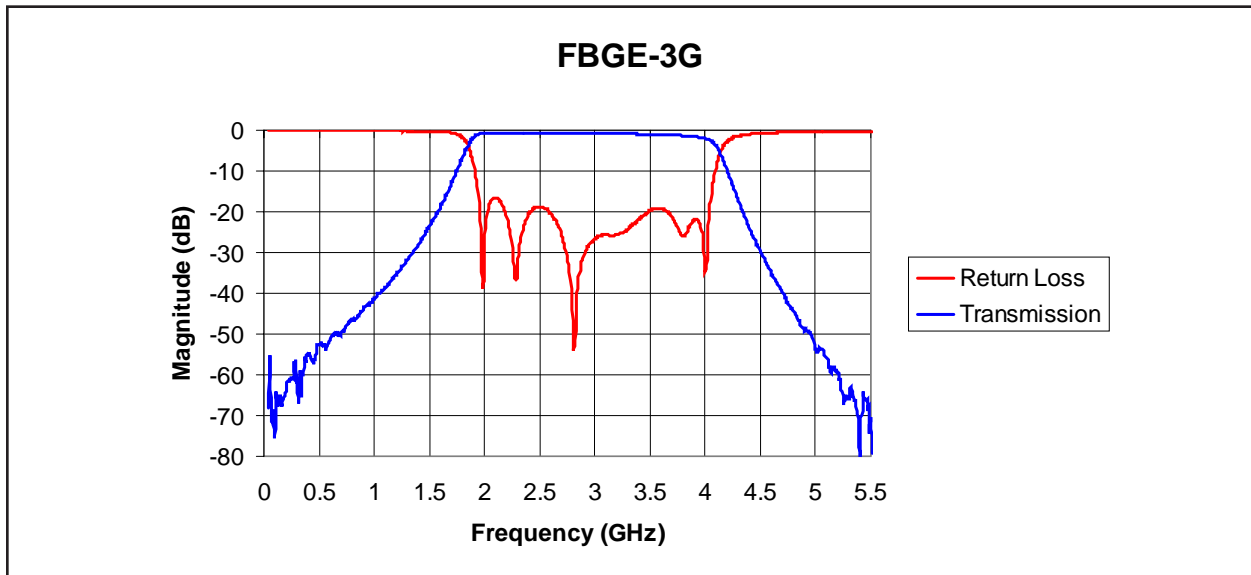
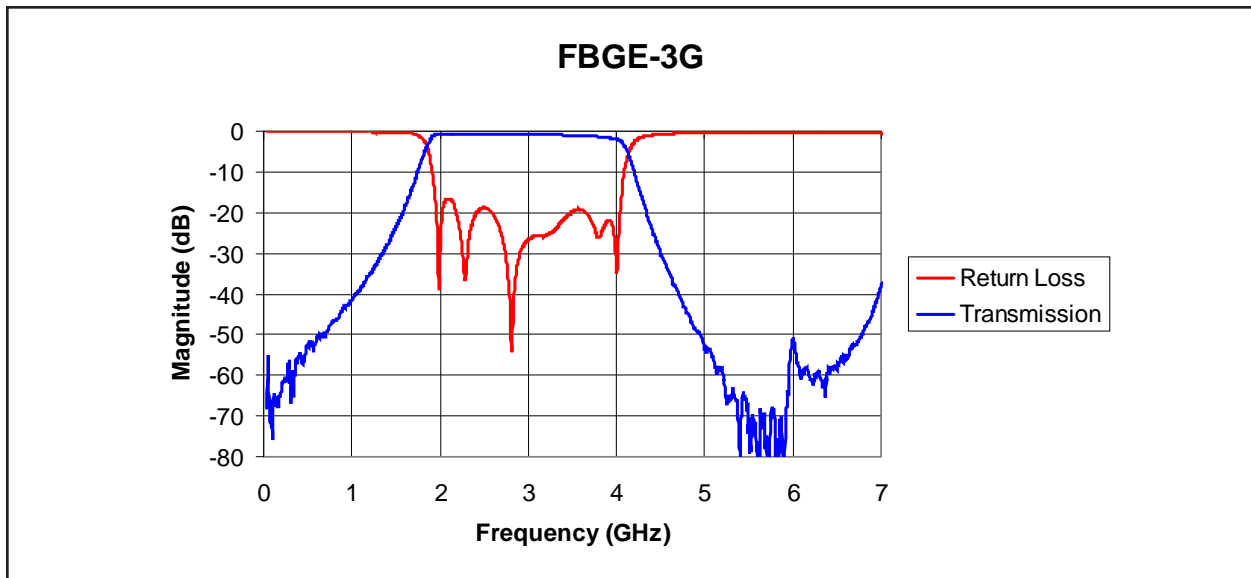
THE MULTI-MIX MICROTECHNOLOGY<sup>®</sup> GROUP IS ISO 9001:2000 REGISTERED



U.S. patent 6,099,677 and other patents pending.

# TYPICAL PERFORMANCE

FBGE-3.0G



THE MULTI-MIX MICROTECHNOLOGY® GROUP IS ISO 9001:2000 REGISTERED