

D-Sub Solder Termination(Press Contact)

17JE Series (P) Type



FEATURES

- Solder-cup termination contact for manual soldering.
- Contact is press-fabricated to meet stable quality and low cost requirement.
- Number of contact is 9, 15, 25 and 37.
- The metal shell is in Nickel plating.
- Connection of cable and plug can be shielded by the metalize-finished hood, improving resistance against EMI shield.

SPECIFICATIONS

Rated Voltage	300V AC (r.m.s.)
Rated Current	2A / Contact
Dielectric Withstanding Voltage	1000V AC (r.m.s.) / 1 minute
Insulation Resistance	1000M Ω min. at 500V DC
Contact Resistance	10m Ω max.
Applicable Cable	Solid Cable AWG22 max. Stranded Cable AWG24 max.
Operating Temperature	-25°C~ 85°C

MATERIAL / FINISH

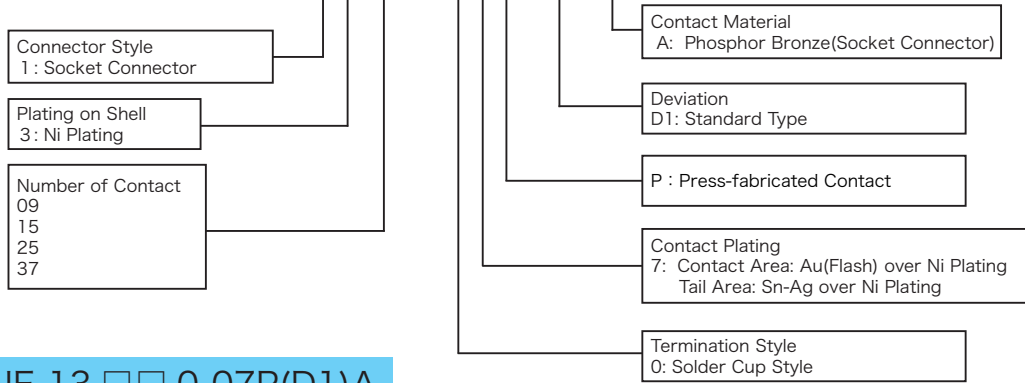


Item	Material / Finish
Insulator	PBT Resin (UL94V-0) / White
Shell	Steel / Ni Plating
Contact	Copper Alloy / Au over Ni Plating (Contact Area)

© Specifications and/or dimensions in this catalogue are subject to change without notice.
Your catalogue checking the latest specifications with our drawings would be highly appreciated.

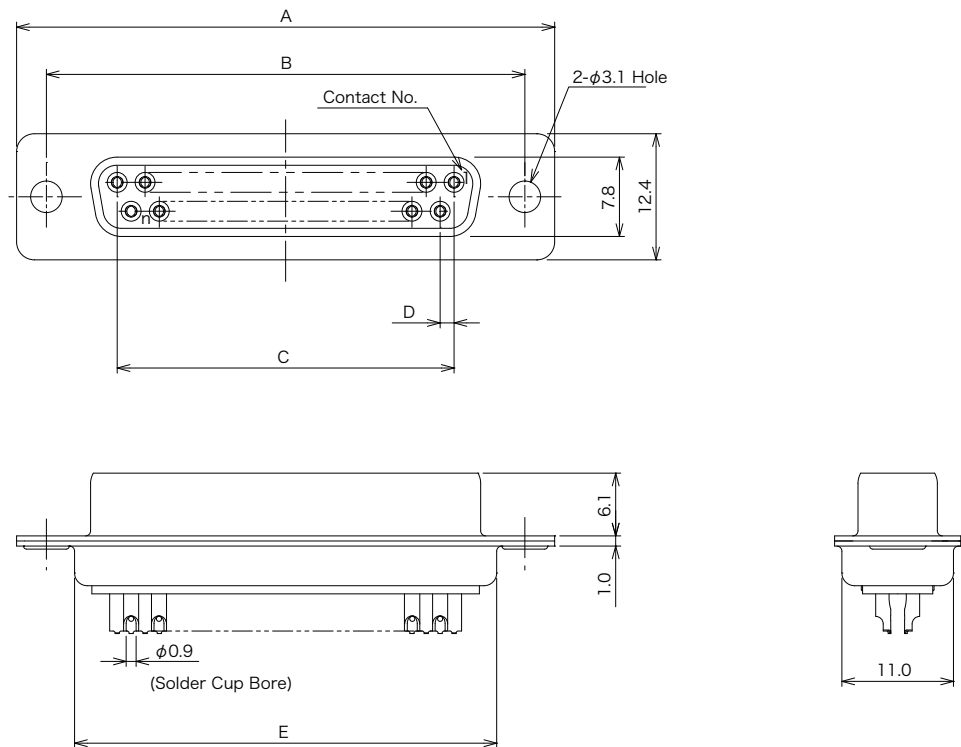
▶ Solder Termination Type

17JE-13250-07P(D1)A



17JE-13 □□ 0-07P(D1)A

Socket Connector



Number of Contact	Part Number	A	B	C	D	E
9	17JE-13090-07P(D1)A	30.70	24.99	10.98	1.37	19.50
15	17JE-13150-07P(D1)A	39.00	33.32	19.20	1.37	27.75
25	17JE-13250-07P(D1)A	52.90	47.04	33.12	1.38	41.50
37	17JE-13370-07P(D1)A	69.20	63.50	49.66	1.38	57.95

© Specifications and/or dimensions in this catalogue are subject to change without notice.
Your catalogue checking the latest specifications with our drawings would be highly appreciated.