

**PLEASE CHECK WWW.MOLEX.COM FOR LATEST PART INFORMATION**

**Part Number:** [0508717125](#)  
**Status:** **Active**  
**Description:** Ring Tongue Double Hole Terminal for 2/0 AWG, Closed Uninsulated Brazed Barrel, Stud Size 1/2" (M12), Oxygen-Free Copper, Length 91.00mm (3.583")

**Documents:**

[Drawing \(PDF\)](#) [RoHS Certificate of Compliance \(PDF\)](#)  
[Product Specification PS-50871-001 \(PDF\)](#)

**General**

Product Family	Ring and Spade Terminals
Series	<a href="#">50871</a>
Crimp Quality Equipment	Yes
Mil-Spec	N/A
Product Name	RD (Double-Hole)
Type	Ring

**Physical**

Barrel Type	Closed - Brazed
Insulation	None
Material - Plating Mating	Tin
Packaging Type	Bag
Plating min: Mating (µin)	40
Plating min: Mating (µm)	1
Plating min: Termination (µin)	40
Plating min: Termination (µm)	1
Stud Size	1/2" (M12)
Termination Interface: Style	Crimp or Compression
Wire Size AWG	2/0
Wire Size mm <sup>2</sup>	60.57 - 76.28

**Material Info**

**Reference - Drawing Numbers**

Product Specification	PS-50871-001
Sales Drawing	SD-50871-001



Series

image - Reference only

**EU RoHS**

**ELV and RoHS Compliant**  
**REACH SVHC**  
 Not Reviewed  
**Halogen-Free Status**  
 Not Reviewed

**China RoHS**



**Need more information on product environmental compliance?**

Email [productcompliance@molex.com](mailto:productcompliance@molex.com)  
 For a multiple part number RoHS Certificate of Compliance, [click here](#)

Please visit the [Contact Us](#) section for any non-product compliance questions.

**Search Parts in this Series**

50871Series

**Application Tooling | [FAQ](#)**

*Tooling specifications and manuals are found by selecting the products below. Crimp Height Specifications are then contained in the Application Tooling Specification document.*

**Japan**

Description	Product #
Battery Type Hand Crimper For JIS Terminal	<a href="#">0573439004</a>

10 9 8 7 6 5 4 3 2 1

F

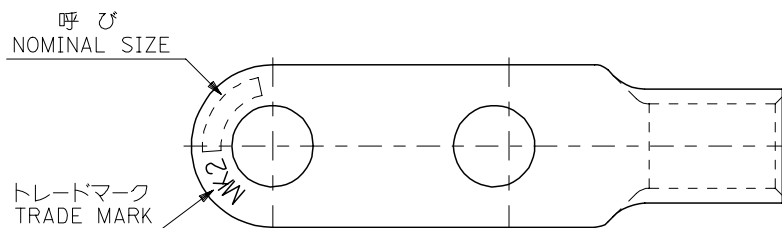
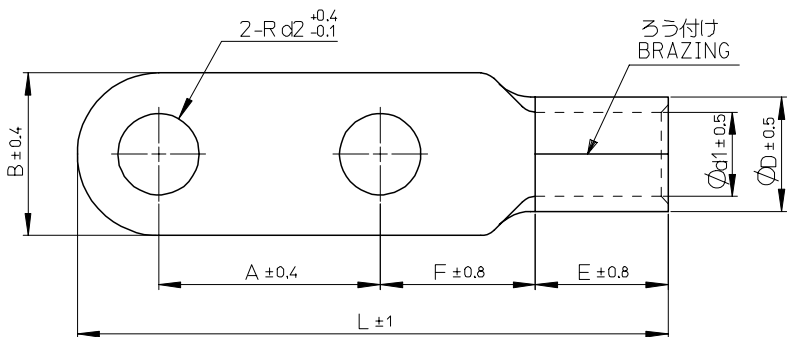
E

D

C

B

A



注記 NOTES

- 材質 MATERIAL  
 端子: 無酸素銅、錫めっき  
 TERMINAL: OXYGEN-FREE COPPER, TIN PLATING  
 ろう付け部: 銀ろう  
 PART OF BRAZING: SILVER SOLDER
- 適用電線 APPLICABLE WIRE RANGE

単線 SOLID WIRE	撚線 STRANDED WIRE
8.26 ~ 9.27 mm	60.57 ~ 76.28 mm <sup>2</sup>

2	---	91	---	19	---	13.3	17.5	24	RD70	X	50871-7225
	14		20		40					12	50871-7125
	11		83		32					10	50871-7025
t	Ød2	L	F	E	A	Ød1	ØD	B	呼び NOMINAL SIZE	ENG. NO.	

RELEASED EC NO: J2007-0312 DRW: H.YAJIMA 2007/05/17 CHK: K.KASAHARA 2007/05/18 APPR: NUKITA 2007/05/18	GENERAL TOLERANCES (UNLESS SPECIFIED)	DIMENSION STYLE MM ONLY	SCALE ---	DESIGN UNITS METRIC	THIRD ANGLE PROJECTION
	10 UNDER ±---	DRAWN BY H. YAJIMA	DATE '06/08/24	TITLE RING TERMINAL	
	10 OVER 30 UNDER ±---	CHECKED BY K. KASAHARA	DATE '06/08/24	MOLEX INCORPORATED	
	30 OVER ±---	APPROVED BY N. UKITA	DATE '06/08/24	MATERIAL NO. SEE CHART	
	ANGULAR ±--- °	DRAFT WHERE APPLICABLE MUST REMAIN WITHIN DIMENSIONS		DOCUMENT NO. SD-50871-001	SHEET NO. 1 OF 1

9 8 7 6 5 4 3 2 EN-02JA(021)