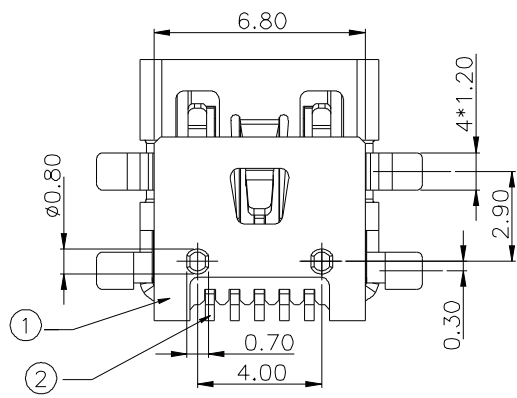
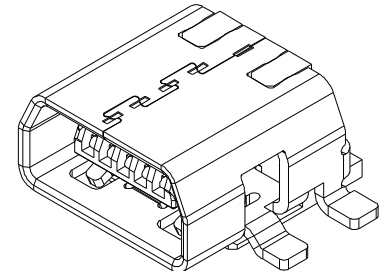
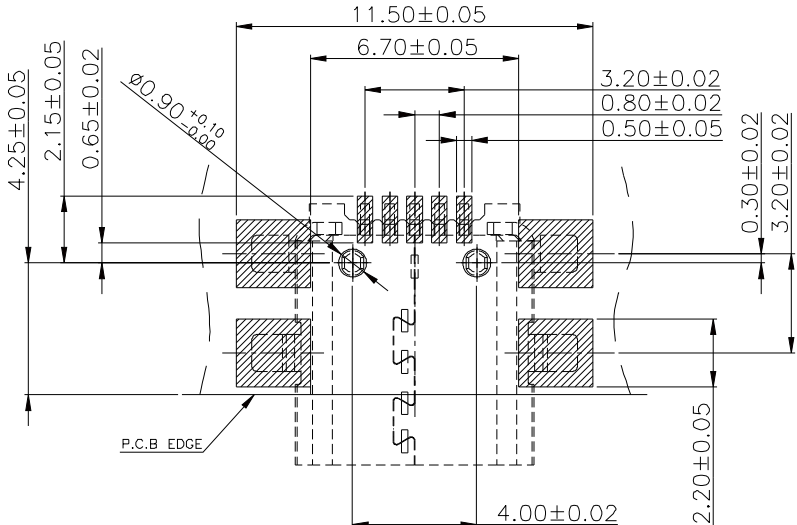
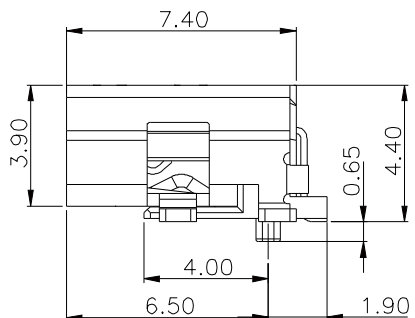
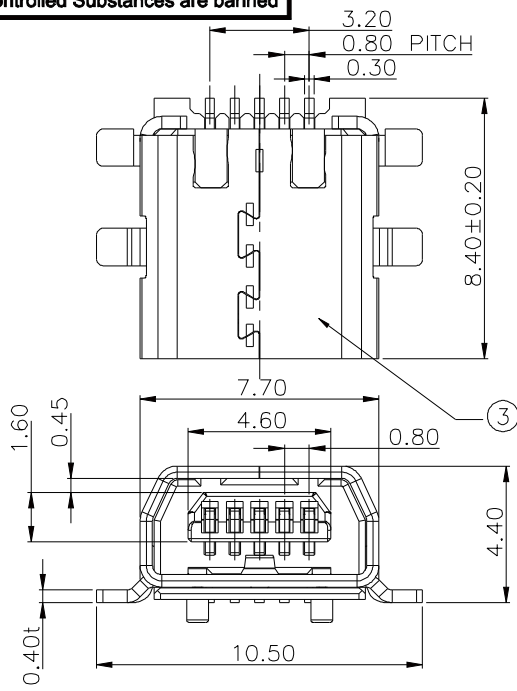
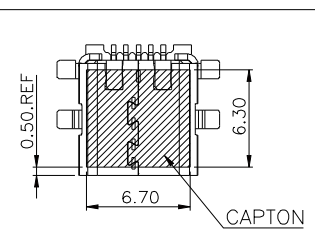


Pb RoHS Compliant HSF
 2002/95/EC
 Level-1 Controlled Substances are banned

RECOMMENDED P.C.B LAYOUT (COMPONENT SIDE)
 P.C.B THICKNESS=0.80mm(TOLERANCE=±0.05)
 WITHOUT LOCKING FUNCTION



REEL PACKAGE WITH CAPTON



NO.	DESCRIPTION	MATERIAL	COLOR	REMARK
3	SHELL	METAL	—	NICKEL PLATED
2	TERMINAL	COPPER ALLOY	—	GOLD/TIN PLATED
1	HOUSING	HIGH TEMP. PLASTIC	BLACK	UL-94V-0

SUYIN
 CONNECTOR

CUSTOMER COPY	TITLE:	MINI USB CONNECTOR
PART NO.		020200MB005M568ZR
PRODUCT SPEC.		020200MB005XX68ZX
FILE NAME.	DWG	020200MB005M568ZR-C
SCALE	4:1	UNIT:mm A4 SHEET: 1 of 2

ECN(DCN) NO.	REV	DATE	DESCRIPTION	CHANGE	APPRO.	GENERAL TOLERANCE UNLESS OTHERWISE NOTED	APPRO.	DATE
						Angle ±2°		
						30 ~ ±0.50	DRAW	單良輝 08'/03/27
						10 ~ 30 ±0.30	DESIGN	單良輝 08'/03/27
						~ 10 ±0.15	CHECK	鄧高雲 08'/03/27
							APPRO.	蔡志鴻 08'/03/27