

PLEASE CHECK WWW.MOLEX.COM FOR LATEST PART INFORMATION

Part Number: [0878691401](#)
Status: **Active**
Description: 1.60mm (.063") Pitch Board-to-Board Panel Detachable, PCB Header, Surface Mount, 14 Circuits, Gold (Au) Plating, Lublitation, Emboss TapedPackaging, Lead-free

Documents:

[Drawing \(PDF\)](#) [RoHS Certificate of Compliance \(PDF\)](#)
[Product Specification PS-87868-004 \(PDF\)](#)

General

Product Family	PCB Headers
Series	87869
Application	Board-to-Board
Comments	Panel Detachable
Product Name	N/A

Physical

Breakaway	No
Circuits (Loaded)	14
Durability (mating cycles max)	10,000
First Mate / Last Break	No
Glow-Wire Compliant	No
Guide to Mating Part	No
Keying to Mating Part	None
Lock to Mating Part	None
Material - Metal	Copper Alloy
Material - Plating Mating	Gold
Material - Plating Termination	Tin
Number of Rows	2
Orientation	Right Angle
PCB Locator	Yes
PCB Retention	None
PCB Thickness Recommended (in)	0.063 In
PCB Thickness Recommended (mm)	1.60 mm
Packaging Type	Embossed Tape on Reel
Pitch - Mating Interface (in)	0.063 In
Pitch - Mating Interface (mm)	1.60 mm
Polarized to Mating Part	No
Polarized to PCB	Yes
Temperature Range - Operating	-30°C to +85°C
Termination Interface: Style	Surface Mount

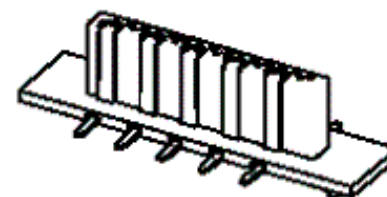
Electrical

Current - Maximum per Contact	1A
Voltage - Maximum	125V

Material Info

Reference - Drawing Numbers

Product Specification	PS-87868-004
Sales Drawing	SD-87869-005



Series

image - Reference only

EU RoHS

ELV and RoHS Compliant
REACH SVHC Contains SVHC: No
Halogen-Free Status
Not Reviewed

China RoHS



Need more information on product environmental compliance?

Email productcompliance@molex.com
 For a multiple part number RoHS Certificate of Compliance, [click here](#)

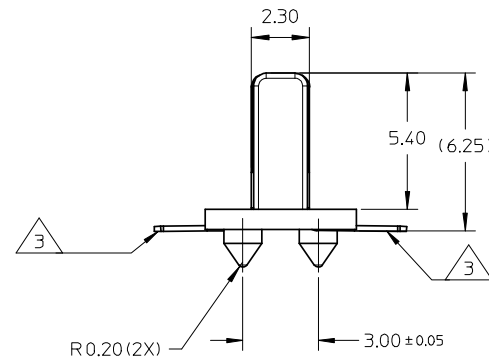
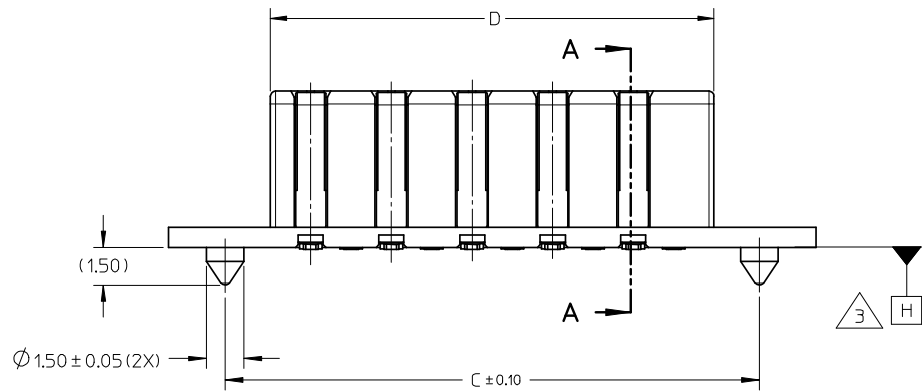
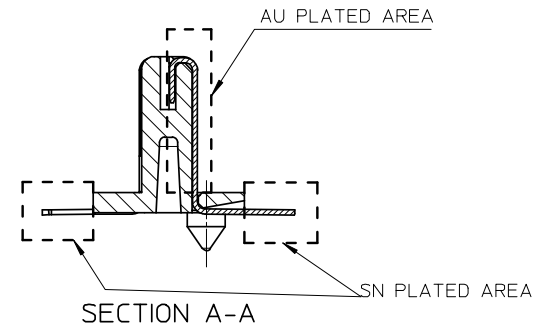
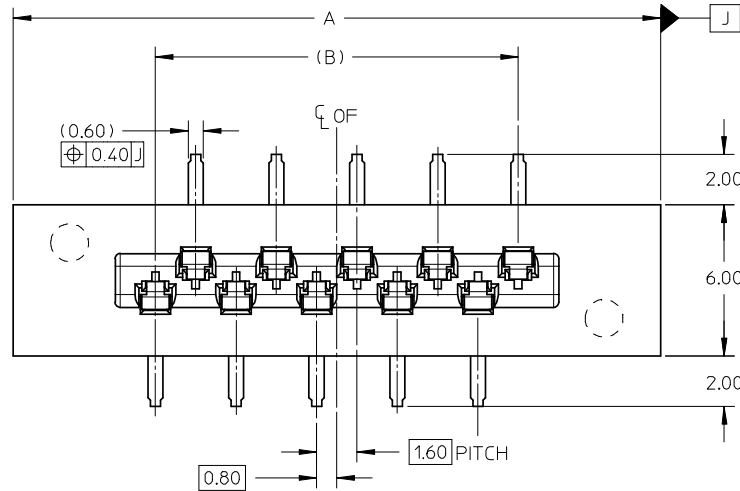
Please visit the [Contact Us](#) section for any non-product compliance questions.

Search Parts in this Series

[87869Series](#)

Mates With

[87868 PCB Receptacle](#)



INITIAL RELEASE
 EC NO: S2008-0879
 DRWN:CGOH 2008/04/17
 CHKD:KHLIM 2008/04/18
 APPR:BOKOK 2008/04/18

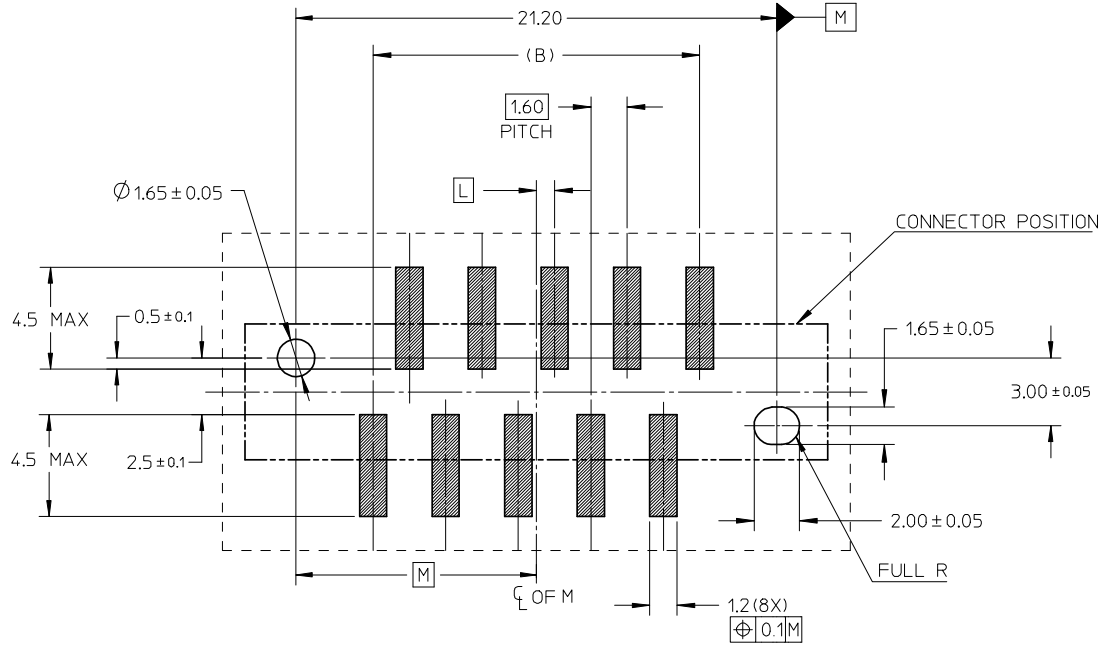
REV	DESCRIPTION
A	

QUALITY SYMBOLS	DESCRIPTION
$\blacktriangledown=0$	
$\text{C}=0$	

GENERAL TOLERANCES (UNLESS SPECIFIED)		DIMENSION STYLE	
mm	INCH	MM ONLY	
4 PLACES	$\pm \text{---}$	DRAWN BY	DATE
3 PLACES	$\pm \text{---}$	CGOH	2008/03/26
2 PLACES	± 0.20	CHECKED BY	DATE
1 PLACE	± 0.25	KHLIM	2008/04/17
ANGULAR $\pm 1^\circ$		APPROVED BY	DATE
		BOKOK	2008/04/18
DRAFT WHERE APPLICABLE MUST REMAIN WITHIN DIMENSIONS		MATERIAL NO.	SEE TABLE
		SIZE	A3

SCALE	DESIGN UNITS	THIRD ANGLE PROJECTION	
NTS	METRIC		
TITLE			
1.6 PANEL DETACHABLE TYPE PLUG CONNECTOR			
MOLEX INCORPORATED		SHEET NO.	
DOCUMENT NO. SD-87869-005		1 OF 3	
THIS DRAWING CONTAINS INFORMATION THAT IS PROPRIETARY TO MOLEX INCORPORATED AND SHOULD NOT BE USED WITHOUT WRITTEN PERMISSION			

PART NUMBER	DIM 'A'	DIM 'B'	DIM 'C'	DIM 'D'	DIM 'L'	DIM 'M'	W	F	B0	S0	A0	K0	NUMBER OF CONTACTS	T&R QUANTITY (PCS/REEL)	LUBRICATION
87869-1001	25.7	14.4	21.2	17.6	0.8	10.6	44.0	20.2	26.1	40.4	11.0	8.2	10	600	YES
87869-1401	32.1	20.8	27.6	24.0	0.8	13.8	44.0	20.2	32.5	40.4	11.0	8.2	14		
87869-1602	35.3	24.0	30.8	27.2	2.4	15.4	56.0	26.2	35.7	52.4	11.0	8.2	16		



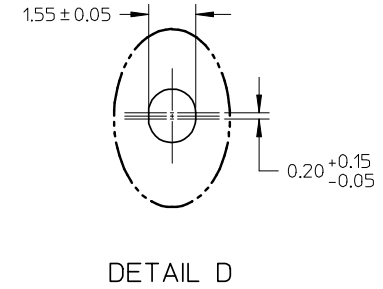
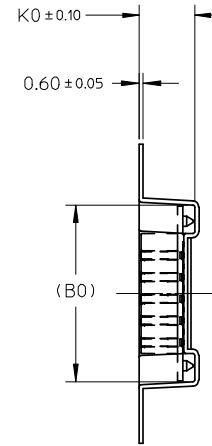
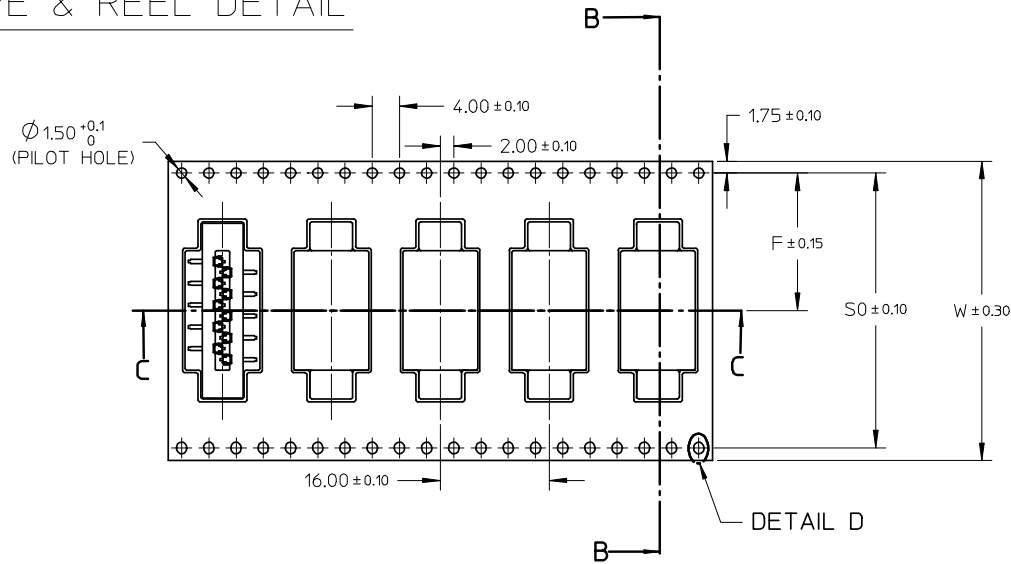
NOTES:

- MATE WITH 87868.
- MATERIAL:
HOUSING : GLASS FILLED NYLON,UL94V-0
TERMINALS : COPPER ALLOY
- MISALIGNMENT OF SOLDER TAILS(TIP) FROM \square :
UPPER DIRECTION : 0.05MM MAX
LOWER DIRECTION : 0.15MM MAX
OFFSET BETWEEN UPPER AND LOWER : 0.15MM MAX.
- RECOMMENDED METAL MASK THICKNESS : 0.18~0.25MM.
- PLATING :
GOLD ON CONTACT AREA : 0.54 μ m MINIMUM
TIN ON SOLDER TAIL AREA : 24 μ m MINIMUM
OVERALL NICKEL UNDERPLATE : 1.54 μ m MINIMUM
- REFER TO PRODUCT SPEC PS-87868-004 FOR PERFORMANCE SPECIFICATIONS.
- PRODUCT IS PACKED IN TAPE AND REEL.
- CONTACT MOLEX FOR AVAILABILITY OF PRODUCT OPTIONS.

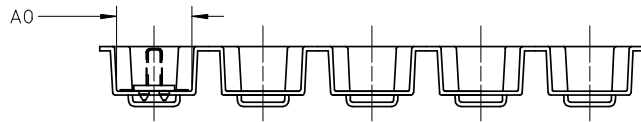
P.C. BOARD PATTERN LAYOUT (REFERENCE)
THICKNESS 1.6MM

INITIAL RELEASE EC NO: S2008-0879 DRWN:CGOH CHYK:KHLIM APPR:BOKOK	2008/04/17 2008/04/18 2008/04/18	QUALITY SYMBOLS $\blacktriangledown=0$ $\nabla=0$	GENERAL TOLERANCES (UNLESS SPECIFIED)		DIMENSION STYLE		SCALE	DESIGN UNITS	THIRD ANGLE PROJECTION			
					MM ONLY		NTS	METRIC				
				mm	INCH	DRAWN BY	DATE	TITLE				
						CGOH	2008/03/26	1.6 PANEL DETACHABLE TYPE PLUG CONNECTOR				
			4 PLACES	± ---	± ---	CHECKED BY	DATE	MOLEX INCORPORATED				
			3 PLACES	± ---	± ---	KHLIM	2008/04/17					
			2 PLACES	± 0.20	± ---	APPROVED BY	DATE	DOCUMENT NO.				
			1 PLACE	± 0.25	± ---	BOKOK	2008/04/18	SD-87869-005				
			ANGULAR ± 1 °		MATERIAL NO.		SHEET NO.					
			DRAFT WHERE APPLICABLE MUST REMAIN WITHIN DIMENSIONS		SEE TABLE		2 OF 3					
					SIZE		THIS DRAWING CONTAINS INFORMATION THAT IS PROPRIETARY TO MOLEX INCORPORATED AND SHOULD NOT BE USED WITHOUT WRITTEN PERMISSION					
					A3							

TAPE & REEL DETAIL



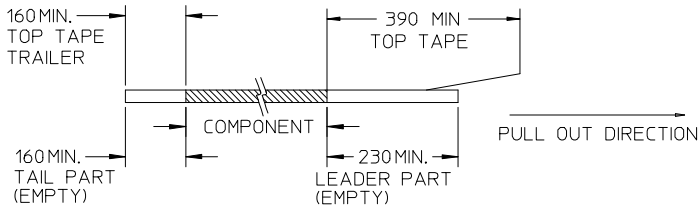
SECTION B-B



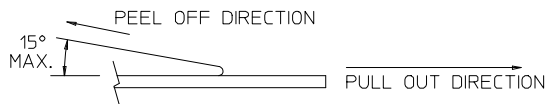
SECTION C-C

NOTES:

1. LEADER AND TRAILER TAPE

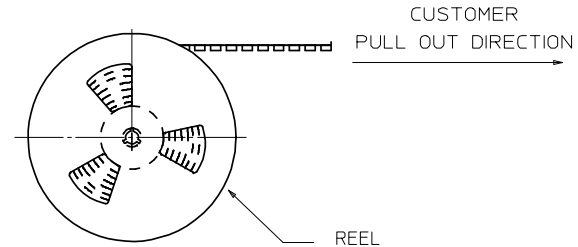


2. PEELING OFF FORCE OF THE TOP TAPE: 20-80gf.
(PEELING DIRECTION AS SHOWN IN FOLLOWING FIGURE)



3. PACKAGING STANDARD IS AS PER EIA-481.

4. TAPE & REEL QUANTITY = REFER TO TABLE



TAPE AND REEL ORIENTATION

INITIAL RELEASE EC NO: S2008-0879 DRWN:CGOH 2008/04/17 CHYD:KHLIM 2008/04/18 APPR:BOKOK 2008/04/18	DESCRIPTION A	QUALITY SYMBOLS	GENERAL TOLERANCES (UNLESS SPECIFIED)	DIMENSION STYLE	SCALE	DESIGN UNITS	THIRD ANGLE PROJECTION															
		$\nabla=0$ $\sphericalangle=0$	<table border="1"> <tr> <th></th> <th>mm</th> <th>INCH</th> </tr> <tr> <td>4 PLACES</td> <td>\pm---</td> <td>\pm---</td> </tr> <tr> <td>3 PLACES</td> <td>\pm---</td> <td>\pm---</td> </tr> <tr> <td>2 PLACES</td> <td>± 0.20</td> <td>\pm---</td> </tr> <tr> <td>1 PLACE</td> <td>± 0.25</td> <td>\pm---</td> </tr> </table>		mm	INCH	4 PLACES	\pm ---	\pm ---	3 PLACES	\pm ---	\pm ---	2 PLACES	± 0.20	\pm ---	1 PLACE	± 0.25	\pm ---	MM ONLY	NTS	METRIC	
			mm	INCH																		
		4 PLACES	\pm ---	\pm ---																		
3 PLACES	\pm ---	\pm ---																				
2 PLACES	± 0.20	\pm ---																				
1 PLACE	± 0.25	\pm ---																				
	<table border="1"> <tr> <th>DRAWN BY</th> <th>DATE</th> <th>TITLE</th> </tr> <tr> <td>CGOH</td> <td>2008/03/26</td> <td></td> </tr> <tr> <th>CHECKED BY</th> <th>DATE</th> <th></th> </tr> <tr> <td>KHLIM</td> <td>2008/04/17</td> <td></td> </tr> <tr> <th>APPROVED BY</th> <th>DATE</th> <th></th> </tr> <tr> <td>BOKOK</td> <td>2008/04/18</td> <td></td> </tr> </table>	DRAWN BY	DATE	TITLE	CGOH	2008/03/26		CHECKED BY	DATE		KHLIM	2008/04/17		APPROVED BY	DATE		BOKOK	2008/04/18		1.6 PANEL DETACHABLE TYPE PLUG CONNECTOR		
DRAWN BY	DATE	TITLE																				
CGOH	2008/03/26																					
CHECKED BY	DATE																					
KHLIM	2008/04/17																					
APPROVED BY	DATE																					
BOKOK	2008/04/18																					
		<table border="1"> <tr> <th>SIZE</th> <th>THIS DRAWING CONTAINS INFORMATION THAT IS PROPRIETARY TO MOLEX INCORPORATED AND SHOULD NOT BE USED WITHOUT WRITTEN PERMISSION</th> </tr> <tr> <td>A3</td> <td></td> </tr> </table>	SIZE	THIS DRAWING CONTAINS INFORMATION THAT IS PROPRIETARY TO MOLEX INCORPORATED AND SHOULD NOT BE USED WITHOUT WRITTEN PERMISSION	A3		MOLEX INCORPORATED		<table border="1"> <tr> <th>SHEET NO.</th> </tr> <tr> <td>3 OF 3</td> </tr> </table>	SHEET NO.	3 OF 3											
SIZE	THIS DRAWING CONTAINS INFORMATION THAT IS PROPRIETARY TO MOLEX INCORPORATED AND SHOULD NOT BE USED WITHOUT WRITTEN PERMISSION																					
A3																						
SHEET NO.																						
3 OF 3																						