

PLEASE CHECK WWW.MOLEX.COM FOR LATEST PART INFORMATION

Part Number: [0875683443](#)
Status: **Active**
Description: 2.00mm (.079") Pitch Milli-Grid™ Cable-to-Board Receptacle, Dual Row, IDT, Lead-free, 34 Circuits, 0.38mm (.015") Gold (Au) Selective Plating, with Center Polarization Key, without Locking Friction Ramp

Documents:

[3D Model](#) [Product Specification PS-87568-004 \(PDF\)](#)
[Drawing \(PDF\)](#) [RoHS Certificate of Compliance \(PDF\)](#)

Agency Certification

CSA LR19980
 UL E29179

General

Product Family IDT and Solder Connectors
 Series [87568](#)
 Crimp Quality Equipment Yes
 Product Name Milli-Grid™
 Use With [87569-1034](#) Strain Relief (Optional)

Physical

Circuits (Loaded) 34
 Color - Resin Black
 Durability (mating cycles max) 100
 Flammability 94V-0
 Gender Female
 Glow-Wire Compliant No
 Lock to Mating Part None
 Material - Metal Copper Alloy
 Material - Resin Polyester
 Number of Rows 2
 Packaging Type Tray
 Panel Mount No
 Pitch - Mating Interface (in) 0.079 In
 Pitch - Mating Interface (mm) 2.00 mm
 Polarized to Mating Part Yes
 Stackable No
 Temperature Range - Operating -20°C to +85°C
 Termination Interface: Style IDT or Pierce
 Wire Size AWG 28

Electrical

Current - Maximum per Contact 1A
 Voltage - Maximum 125V

Material Info

Reference - Drawing Numbers

Product Specification PS-87568-004
 Sales Drawing SD-87568-003



EU RoHS

ELV and RoHS Compliant
REACH SVHC Contains SVHC: No
Halogen-Free Status
Not Reviewed

China RoHS



Need more information on product environmental compliance?

Email productcompliance@molex.com
 For a multiple part number RoHS Certificate of Compliance, [click here](#)

Please visit the [Contact Us](#) section for any non-product compliance questions.

Search Parts in this Series

[87568Series](#)

Mates With

[87831](#) Vertical PCB Header, [87832](#) Surface Mount PCB Header, [87833](#) Right Angle PCB Header

Application Tooling | FAQ

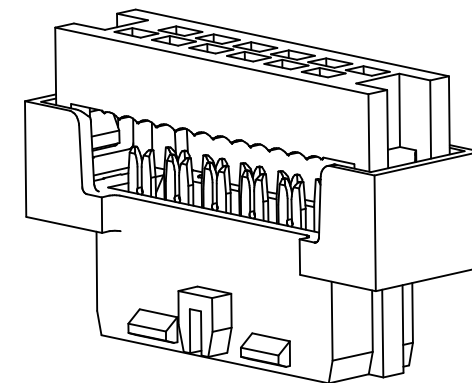
Tooling specifications and manuals are found by selecting the products below. Crimp Height Specifications are then contained in the Application Tooling Specification document.

Global

Description	Product #
IDT Ribbon Cable Adapter Kit For 2.00mm Milli-Grid™	0621002400
IDT - Manual - Handtool	0621002000
Manual Press with IDT Ribbon Cable Tool Kit	0621002200

This document was generated on 04/20/2010

PLEASE CHECK WWW.MOLEX.COM FOR LATEST PART INFORMATION



1. MATERIALS:
HOUSING - PBT. GLASS FILLED UL94V-0 BLACK
TERMINAL - COPPER ALLOY
2. FINISHES
PLATING 3 - 15uin (0.38um) SELECTIVE GOLD IN CONTACT AREA
AND 75uin (1.88um) TIN IN IDT AREA OVER 50uin (1.25um)
NICKEL OVERALL.
PLATING 4 - 30uin (0.76um) SELECTIVE GOLD IN CONTACT AREA
AND 75uin (1.88um) TIN IN IDT AREA OVER 50uin (1.25um)
NICKEL OVERALL.
3. PRODUCT SPEC PS-87568-004 APPLIES
4. FOR ILLUSTRATION PURPOSES, I2 CKT IS SHOWN
5. PART MATES WITH ALL MILLIGRID HEADERS WITH MATING LENGTH
BETWEEN 2.50mm AND 4.20mm
6. PART IS DESIGNED FOR 1.00mm PITCH FLAT CABLE, 7 STRANDS,
AWG #28, UL2651 AND UL2678
7. ALL OTHER CIRCUIT SIZES, CONTACT FACTORY.
8. STRAIN RELIEF TO BE PURCHASED SEPERATELY,
REFER TO SD-87569-008

ADD 32CKT OPTION EC NO: S2010-0273 DRWN:SKANG CHKD:ATSEE APPR:MLONG H1	2009/09/28	DESCRIPTION	QUALITY SYMBOLS
	2009/11/13		$\nabla_{FA}=0$ $\nabla_{FD}=0$ $\nabla_{FI}=0$
REV	2009/11/17		

GENERAL TOLERANCES (UNLESS SPECIFIED)	
	mm INCH
4 PLACES	± --- ± ---
3 PLACES	± --- ± ---
2 PLACES	± 0.15 ± ---
1 PLACE	± --- ± ---
ANGULAR ± 3 °	
DRAFT WHERE APPLICABLE MUST REMAIN WITHIN DIMENSIONS	

DIMENSION STYLE MM ONLY	
DRAWN BY	DATE
AGARWAL	1997/08/05
CHECKED BY	DATE
SQUEK	1997/09/03
APPROVED BY	DATE
MLONG	2009/11/13
MATERIAL NO.	
SEE TABLE	
SIZE	
A3	

SCALE NTS	DESIGN UNITS METRIC	THIRD ANGLE PROJECTION
MGRID 2MM DUAL ROW IDT RECEPTACLE		
molex MOLEX INCORPORATED		SHEET NO. 1 OF 3
SD-87568-003		
THIS DRAWING CONTAINS INFORMATION THAT IS PROPRIETARY TO MOLEX INCORPORATED AND SHOULD NOT BE USED WITHOUT WRITTEN PERMISSION		



87568-***4*
POLARIZATION ONLY
(APPLICABLE FOR 14 TO 50 CKT)



87568-***9*
POLARIZATION AND RAMP LOCKING
(APPLICABLE FOR 14 TO 50 CKT)



87568-***6*
NO POLARIZATION/RAMP FEATURE
(APPLICABLE FOR 10 TO 50 CKT)



87568-***7*
SINGLE RAMP LOCKING ONLY
(APPLICABLE FOR 10 TO 12 CKT)

ENGINEERING NUMBER	CKT. SIZE	A	B	C	D	E
87568-10**	10	16.65	8.00	14.90	11.65	10.55
87568-12**	12	18.65	10.00	16.90	13.65	12.55
87568-14**	14	20.65	12.00	18.90	15.65	14.55
87568-16**	16	22.65	14.00	20.90	17.65	16.55
87568-20**	20	26.65	18.00	24.90	21.65	20.55
87568-22**	22	28.65	20.00	26.90	23.65	22.55
87568-24**	24	30.65	22.00	28.90	25.65	24.55
87568-26**	26	32.65	24.00	30.90	27.65	26.55
87568-30**	30	36.65	28.00	34.90	31.65	30.55
87568-32**	32	38.65	30.00	36.90	33.65	32.55
87568-34**	34	40.65	32.00	38.90	35.65	34.55
87568-36**	36	42.65	34.00	40.90	37.65	36.55
87568-40**	40	46.65	38.00	44.90	41.65	40.55
87568-44**	44	50.65	42.00	48.90	45.65	44.55
87568-50**	50	56.65	48.00	54.90	51.65	50.55



- 4 - WITH POLARIZATION ONLY FOR 14 - 50 CKT
- 6 - WITHOUT POLARIZATION AND RAMP LOCKING
- 7 - WITH SINGLE RAMP LOCKING ONLY FOR 10 & 12 CKT
- 9 - WITH POLARIZATION AND RAMP LOCKING FOR 14 - 50 CKT

10-12 CIRCUIT SIZE HAS ONLY ONE RAMP FOR LOCKING (OPTIONAL)

14-50 CIRCUIT SIZE HAS BOTH POLARIZATION AND RAMP LOCKING (OPTIONAL)

ADD 32CKT OPTION EC NO: S2010-0273 DRWN:SKANG CHKD:ATSEE APPR:MLONG	2009/09/28 2009/11/13 2009/11/17	QUALITY SYMBOLS	GENERAL TOLERANCES (UNLESS SPECIFIED)	DIMENSION STYLE	SCALE	DESIGN UNITS	THIRD ANGLE PROJECTION
		$\nabla_A = 0$ $\nabla_C = 0$ $\nabla_F = 0$	mm INCH 4 PLACES ± --- ± --- 3 PLACES ± --- ± --- 2 PLACES ± 0.15 ± --- 1 PLACE ± --- ± ---	MM ONLY	NTS	METRIC	MGRID 2MM DUAL ROW IDT RECEPTACLE
		ANGULAR ± 3 °	DRAWN BY DATE AGARWAL 1997/08/05 CHECKED BY DATE SQUEK 1997/09/03 APPROVED BY DATE MLONG 2009/11/13	TITLE MOLEX INCORPORATED			
		H1	DRAFT WHERE APPLICABLE MUST REMAIN WITHIN DIMENSIONS	SEE TABLE	MATERIAL NO. DOCUMENT NO. SD-87568-003	SHEET NO. 2 OF 3	
		THIS DRAWING CONTAINS INFORMATION THAT IS PROPRIETARY TO MOLEX INCORPORATED AND SHOULD NOT BE USED WITHOUT WRITTEN PERMISSION					

F

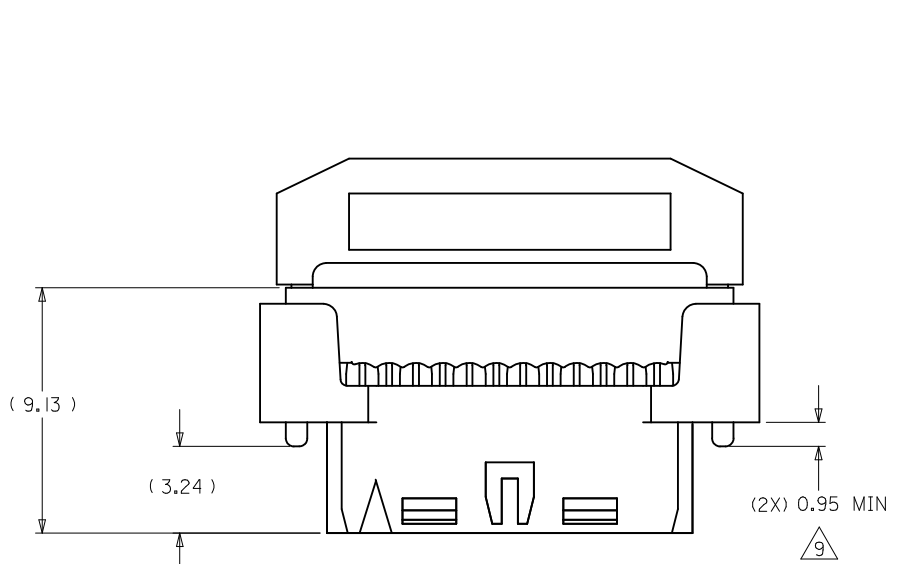
E

D

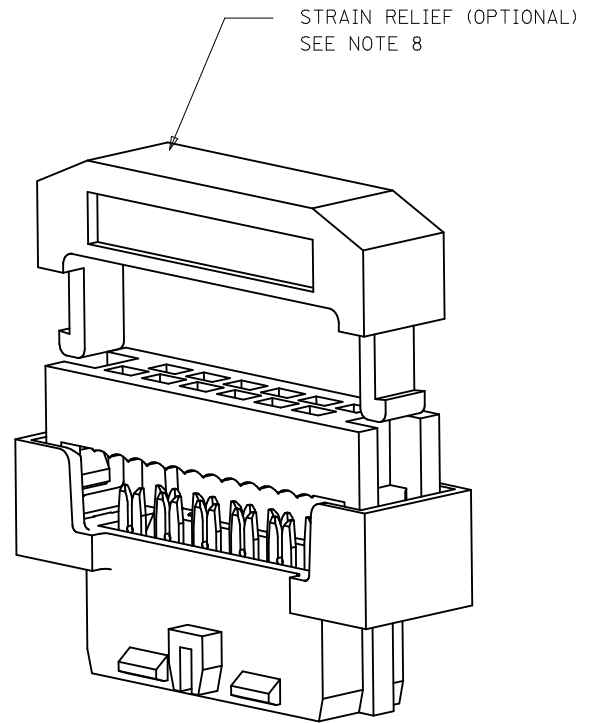
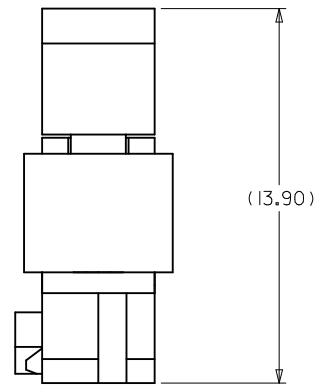
C

B

A



CABLE LOADED ASSEMBLY WITH STRAIN RELIEF



3D VIEW
(12 CKT SHOWN FOR ILLUSTRATION ONLY)

NOTES

9 THIS DIMENSION IS TO ENSURE GOOD CABLE TERMINATION.

ADD 32CKT OPTION EC NO: S2010-0273 DRWN:SKANG 2009/09/28 CHKD:ATSEE 2009/11/13 APPR:MLONG 2009/11/17	DESCRIPTION H1	QUALITY SYMBOLS	GENERAL TOLERANCES (UNLESS SPECIFIED)		DIMENSION STYLE MM ONLY		SCALE NTS	DESIGN UNITS METRIC	THIRD ANGLE PROJECTION				
		$\nabla_A = 0$ $\nabla_C = 0$ $\nabla_F = 0$	mm INCH 4 PLACES ± --- ± --- 3 PLACES ± --- ± --- 2 PLACES ± 0.15 ± --- 1 PLACE ± --- ± ---	DRAWN BY AGARWAL	DATE 1997/08/05	TITLE		MGRID 2MM DUAL ROW IDT RECEPTACLE MOLEX INCORPORATED					
		ANGULAR ± 3 °		CHECKED BY SQUEK	DATE 1997/09/03								
		DRAFT WHERE APPLICABLE MUST REMAIN WITHIN DIMENSIONS		APPROVED BY MLONG	DATE 2009/11/13	SEE TABLE			DOCUMENT NO. SD-87568-003	SHEET NO. 3 OF 3			
				MATERIAL NO.									
		THIS DRAWING CONTAINS INFORMATION THAT IS PROPRIETARY TO MOLEX INCORPORATED AND SHOULD NOT BE USED WITHOUT WRITTEN PERMISSION											