

PLEASE CHECK WWW.MOLEX.COM FOR LATEST PART INFORMATION

Part Number: [0751870055](#)
Status: **Active**
Overview: [vhdm](#)
Description: 2.00mm (.079") Pitch VHDM® Lite Series, Board-to-Board Daughtercard Receptacle Assembly, 60 Circuits, Right Angle, 6-Row, Custom 75189

Documents:

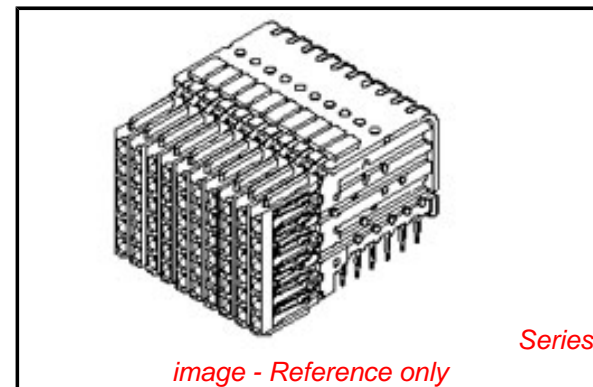
[Drawing \(PDF\)](#) [RoHS Certificate of Compliance \(PDF\)](#)

General

Product Family	Backplane Connectors
Series	75187
Application	Daughtercard
Application Tooling Documents	Tooling Manual
Comments	Daughtecard Receptacle Module, Power, 2-blade, Daughtercard Module, Guidance, Daughtercard Receptacle Wafers, Signal
Component Type	PCB Receptacle
Overview	vhdm
Product Name	VHDM®
Style	N/A

Physical

Circuits (Loaded)	6
Circuits (maximum)	6
Color - Resin	Black
Durability (mating cycles max)	200
First Mate / Last Break	No
Guide to Mating Part	No
Keying to Mating Part	None
Material - Metal	Copper-Nickel-Silicon, High Performance Alloy (HPA)
Material - Plating Mating	Gold
Material - Plating Termination	Tin-Lead
Material - Resin	High Temperature Thermoplastic
Number of Columns	N/A
Number of Pairs	Open Pin Field
Number of Rows	6
Orientation	Right Angle
PC Tail Length (in)	0.110 In
PC Tail Length (mm)	2.80 mm
PCB Locator	No
PCB Retention	None
PCB Thickness Recommended (in)	0.071 In
PCB Thickness Recommended (mm)	1.80 mm
Packaging Type	Tube
Pitch - Mating Interface (in)	0.089 In
Pitch - Mating Interface (mm)	2.25 mm
Pitch - Term. Interface (in)	0.079 In
Pitch - Term. Interface (mm)	2.00 mm
Plating min: Mating (µin)	50.8
Plating min: Mating (µm)	1.27
Plating min: Termination (µin)	30.4
Plating min: Termination (µm)	0.76
Polarized to PCB	No
Stackable	No



EU RoHS

RoHS Compliant by Exemption

REACH SVHC

Not Reviewed

Halogen-Free

Status

Not Reviewed

China RoHS



Pb

Need more information on product environmental compliance?

Email productcompliance@molex.com
 For a multiple part number RoHS Certificate of Compliance, [click here](#)

Please visit the [Contact Us](#) section for any non-product compliance questions.

Search Parts in this Series

[75187Series](#)

Mates With

[75194 VHDM® Lite Board-to-Board Header.](#)
[75195 VHDM® Lite Backplane Header.](#)
[75196 VHDM® Lite Backplane Header.](#)
[74029 VHDM® Board-to-Board Backplane Receptacle Power](#)

Surface Mount Compatible (SMC)	Yes
Temperature Range - Operating	N/A
Termination Interface: Style	Through Hole - Compliant Pin

Electrical

Current - Maximum per Contact	1A
Data Rate	2.5 Gbps
Real Signals (per 25mm)	67
Shielded	No
Voltage - Maximum	120V AC (RMS)/DC

Material Info

Reference - Drawing Numbers

Sales Drawing	SD-75187-001
---------------	--------------

VHDM and Very High Density Metric are trademarks of Amphenol Corporation

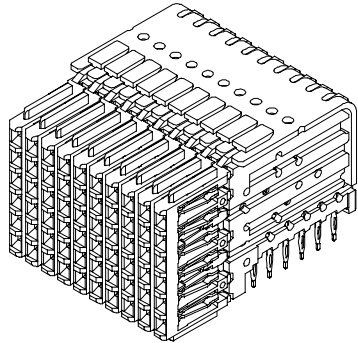
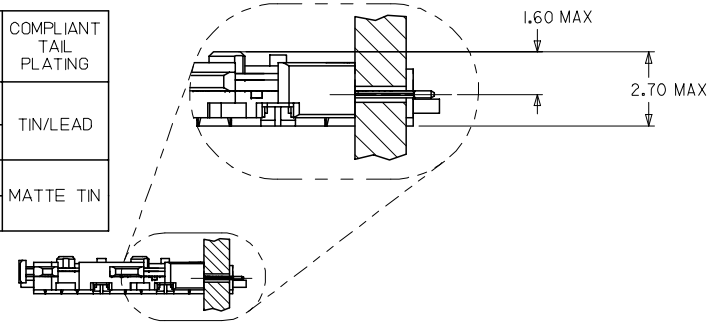
This document was generated on 05/28/2010

PLEASE CHECK WWW.MOLEX.COM FOR LATEST PART INFORMATION

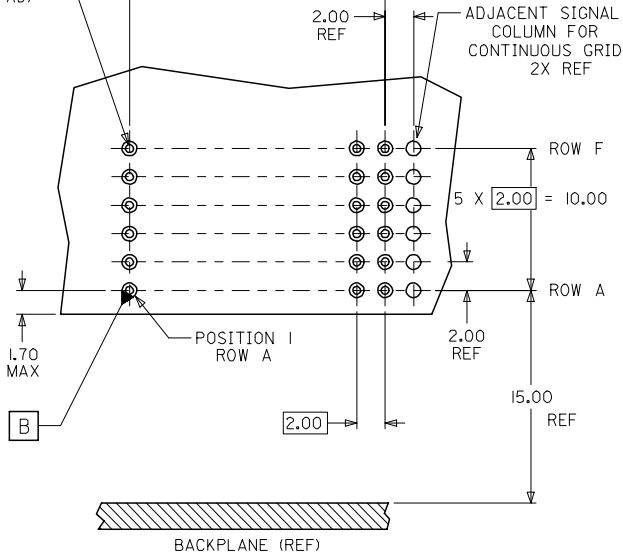
NOTES (UNLESS OTHERWISE SPECIFIED):

- MATERIALS: HOUSING - LIQUID CRYSTAL POLYMER (LCP),
GLASS-FILLED, UL94V-0
TERMINALS - HIGH PERFORMANCE COPPER ALLOY
WAFER CARRIER - BRASS
- FINISH: SIGNAL TERMINALS - SELECTIVE GOLD (Au) IN CONTACT
AREA, SELECTIVE TIN/LEAD (Sn/Pb)
OR MATTE TIN (Sn) ON COMPLIANT
TAILS, NICKEL (Ni) OVERALL
WAFER CARRIER - NICKEL (Ni) OVERALL
- REFER TO MOLEX PRODUCT SPECIFICATION PS-74031-999 FOR
PERFORMANCE SPECIFICATIONS.
- SIGNAL WAFERS SUPPLIED ON STAINLESS STEEL STIFFENER.
10 OR 25 WAFERS SHOULD BE GROUPED TOGETHER IN ORDER
TO MATE TO VHDM 6-ROW LITE BACKPLANE HEADER SERIES
NUMBERS 75194, 75195, AND 75196.

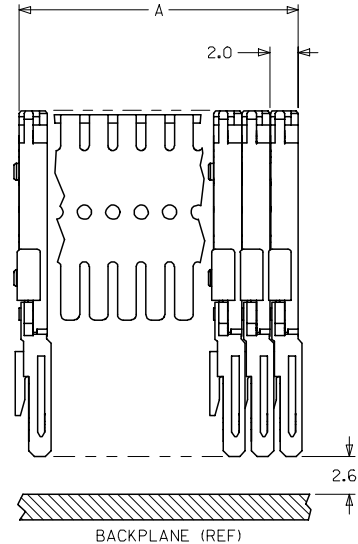
WAFER MATERIAL NUMBER	CONTACT PLATING MINIMUM GOLD THICKNESS	WAFER PLASTIC COLOR	COMPLIANT TAIL PLATING
75187-0005	0.00076mm (30µin)	BLACK	TIN/LEAD
75187-0055	0.00127mm (50µin)	GRAY	TIN/LEAD
75187-1005	0.00076mm (30µin)	BLACK	MATTE TIN
75187-1055	0.00127mm (50µin)	GRAY	MATTE TIN



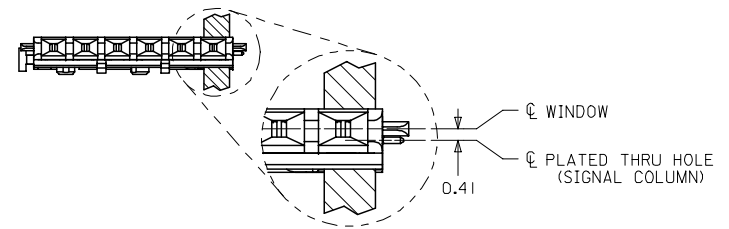
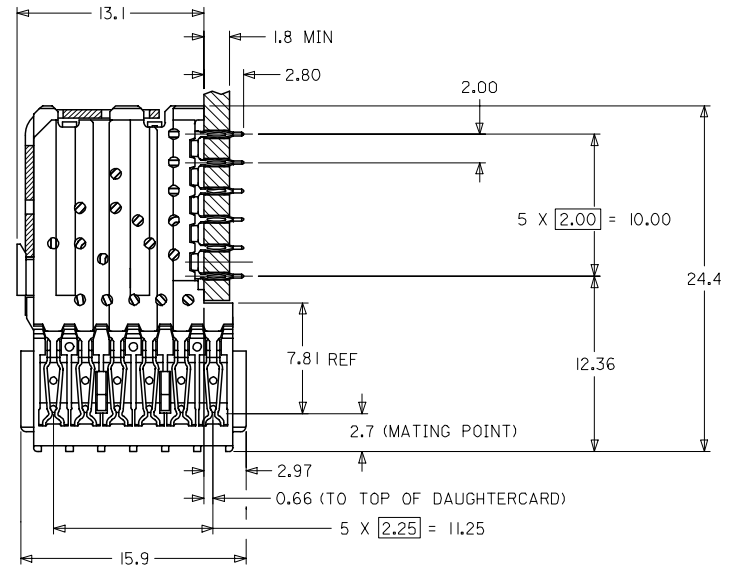
⌀0.10 B
⌀0.56±0.05 PTH
(⌀0.66 DRILL)
(⌀1.00 PAD)



DAUGHTERCARD HOLE PATTERN
(CONNECTOR SIDE)



NUMBER OF SIGNAL WAFERS	DIM "A"	DIM "B"	DIM "C"
10	20.0	9	18.00
25	50.0	24	48.00



ADDED -0055, -1005 & -1055 EC NO: UCP2007-0762 DRAWN BY: DRWANDHARVARA 2007/01/08 CHKD: JB INGHAM 2007/01/09 APPR: SREED 2007/01/11 REV:	QUALITY SYMBOLS ▽=0 ▽=0	GENERAL TOLERANCES (UNLESS SPECIFIED) mm INCH 4 PLACES ± --- ± --- 3 PLACES ± --- ± --- 2 PLACES ± 0.13 ± --- 1 PLACE ± 0.25 ± --- ANGULAR ± 2 °	DIMENSION STYLE MM ONLY DRAWN BY: MBANDURA DATE: 2002/12/10 CHECKED BY: JL AURX DATE: 2002/12/10 APPROVED BY: CBIXLER DATE: 2002/12/10 MATERIAL NO. DOCUMENT NO.	SCALE: 4:1 DESIGN UNITS: METRIC THIRD ANGLE PROJECTION	VHDM LITE 6 ROW DAUGHTERCARD SIGNAL WAFER SALES DRAWING MOLEX MOLEX INCORPORATED SD-75187-001 SHEET NO. 1 OF 1
	DRAFT WHERE APPLICABLE MUST REMAIN WITHIN DIMENSIONS		SEE CHART	THIS DRAWING CONTAINS INFORMATION THAT IS PROPRIETARY TO MOLEX INCORPORATED AND SHOULD NOT BE USED WITHOUT WRITTEN PERMISSION	
			SIZE C		