

PLEASE CHECK WWW.MOLEX.COM FOR LATEST PART INFORMATION

Part Number: [0684271190](#)
Status: **Active**
Description: 2.50mm (.098") Pitch Wire-to-Board TPA™, 11 Circuits

Documents:

[Drawing \(PDF\)](#) [RoHS Certificate of Compliance \(PDF\)](#)
[Product Specification PS-68426-001 \(PDF\)](#)

General

Product Family	Accessories
Series	68427
Component Type	Retainer
Product Name	TPA™ - Term Pos Assurance

Physical

Circuits (Loaded)	11
Lock to Mating Part	Yes
Number of Rows	1
Packaging Type	Bag
Temperature Range - Operating	-40°C to +105°C

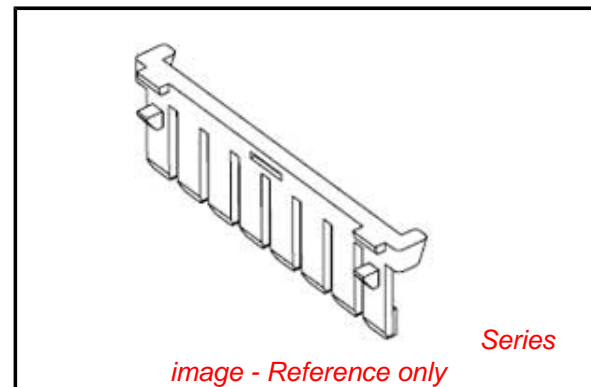
Electrical

Current - Maximum per Contact	3A
-------------------------------	----

Material Info

Reference - Drawing Numbers

Product Specification	PS-68426-001
Sales Drawing	SD-68427-001



EU RoHS

**ELV and RoHS
Compliant**
**REACH SVHC
Not Reviewed**
**Halogen-Free
Status
Not Reviewed**

China RoHS



**Need more information on product
environmental compliance?**

Email productcompliance@molex.com
For a multiple part number RoHS Certificate of Compliance, [click here](#)

Please visit the [Contact Us](#) section for any non-product compliance questions.

Search Parts in this Series
[68427Series](#)

Use With
[68426 Wire-to-Board Housing](#)

DO NOT SCALE DRAWING
DIMENSION IN METRIC

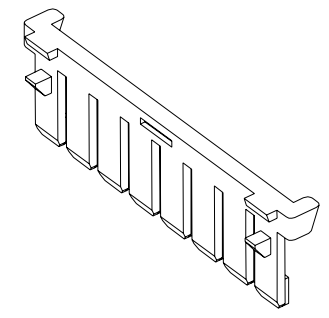
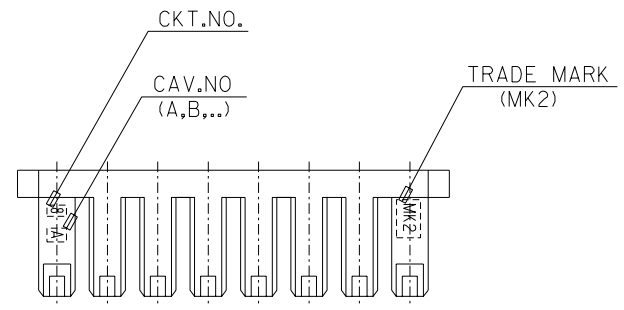
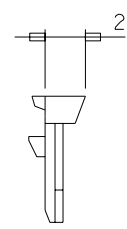
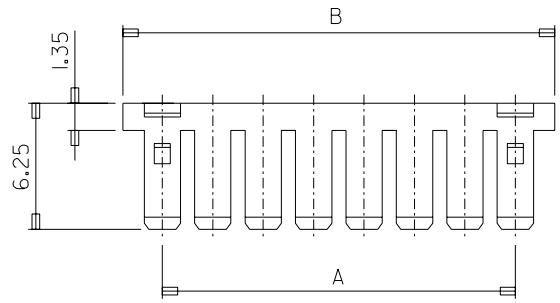
B

C

PROJECT NO.

SIMILAR ITEM

DWG. NO.
SD-68427-001



38.9	35.0	68427-1590
33.9	30.0	1390
31.4	27.5	1290
28.9	25.0	1190
26.4	22.5	1090
21.4	17.5	0890
11.4	7.5	68427-0490
B	A	ENG. NO.

NOTES

1. MATERIAL : POLYESTER, UL94V-0, GLASS FILLED NATURAL COLOR
2. APPLICABLE HOUSING: 68426

NEW RELEASED EC NO. KOR2003-0232 DRWN: W.Y.YANG 03/03/20 CHK: W.Y.YANG APPR: C.W.LEE	DESCRIPTION	QUALITY SYMBOLS	GENERAL TOLERANCES: (UNLESS SPECIFIED)		SCALE 4:1	DESIGN UNITS <input checked="" type="checkbox"/> mm <input type="checkbox"/> INCH	THIRD ANGLE PROJECTION	DIMENSIONS: <input type="checkbox"/> mm <input type="checkbox"/> INCH <input checked="" type="checkbox"/> mm ONLY	SHT	REV	
		MAJOR = 0	mm	INCH	DRAWN BY & DATE W.Y.YANG 03/01/20		TITLE: 2.5 W/B CONN.(TPA) TPA				
		CRITICAL = 0	4 PLACES	±.	±.	CHECKED BY & DATE W.Y.YANG 03/01/20		MOLEX INCORPORATED			
			3 PLACES	±.	±.	APPROVED BY & DATE C.W.LEE 03/01/20					
REV		2 PLACES	±0.25	±.	CAD FILENAME S68427AA	MATERIAL NO. SEE TABLE	DRAWING NO. SD-68427-001	SHEET NO. 1 OF 1	THIS DRAWING CONTAINS INFORMATION THAT IS PROPRIETARY TO MOLEX INCORPORATED AND SHOULD NOT BE USED WITHOUT WRITTEN PERMISSION.		
		1 PLACE	±0.25	±.	DRAFT WHERE APPLICABLE MUST REMAIN WITHIN DIMENSIONS		SIZE B		MX-A3		