



# TAI-SAW TECHNOLOGY CO., LTD.

No. 3, Industrial 2nd Rd., Ping-Chen Industrial District,  
Taoyuan, 324, Taiwan, R.O.C.

TEL: 886-3-4690038 FAX: 886-3-4697532

E-mail: [tstsales@mail.taisaw.com](mailto:tstsales@mail.taisaw.com) Web: [www.taisaw.com](http://www.taisaw.com)

## Approval Sheet For Product Specification

Issued Date:

Product Name: SAW Filter 914.5MHz SMD 3.8×3.8mm

TST Parts No.:TA0282A

Customer Parts No.:\_\_\_\_\_

Company: _____
Division: _____
Approved by : _____
Date: _____

Checked by: \_\_\_\_\_ Elvis Chiu

Approval by: \_\_\_\_\_ Francis Chen

Date: \_\_\_\_\_ 2003/06/03



# TAI-SAW TECHNOLOGY CO., LTD.

No. 3, Industrial 2nd Rd., Ping-Chen Industrial District,  
Taoyuan, 324, Taiwan, R.O.C.

TEL: 886-3-4690038 FAX: 886-3-4697532

E-mail: [tstsales@mail.taisaw.com](mailto:tstsales@mail.taisaw.com) Web: [www.taisaw.com](http://www.taisaw.com)

## SAW Filter 914.5 MHz

MODEL NO.: TA0282A

REV. NO.:1

### A. MAXIMUM RATING:

1. Input Power Level: 10 dB<sub>m</sub>
2. DC voltage: 0 V
3. Operating Temperature: -20°C to 65°C
4. Storage Temperature: -40°C to +85°C

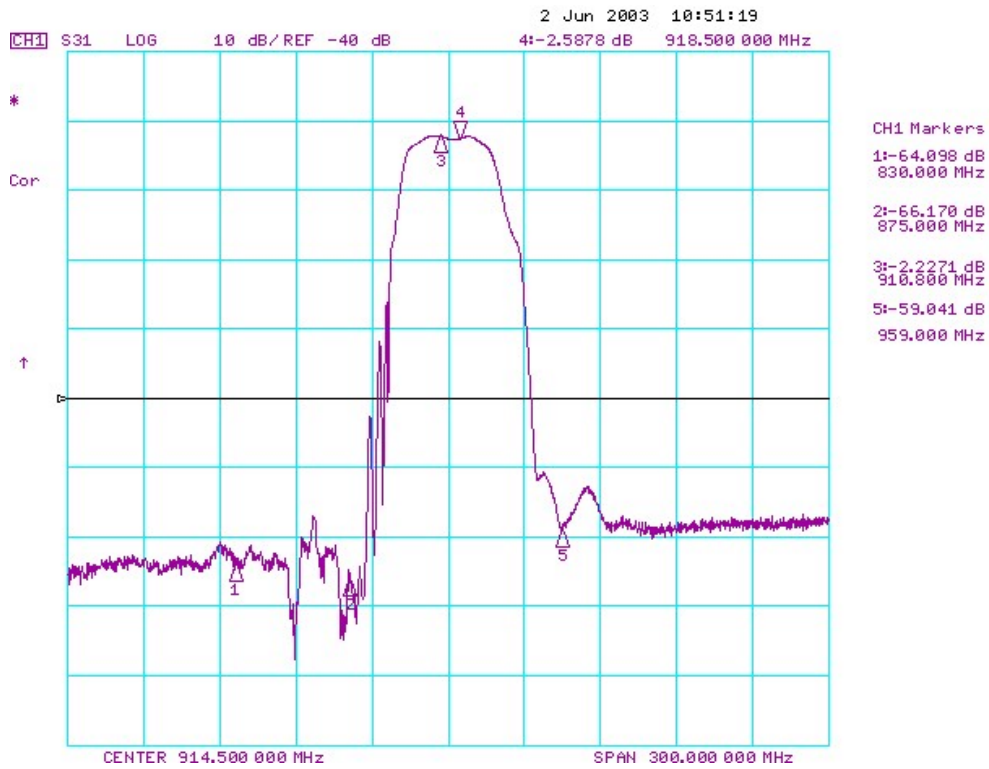
RoHS Compliant  
Lead free  
Lead-free soldering

### B. CHARACTERISTICS:

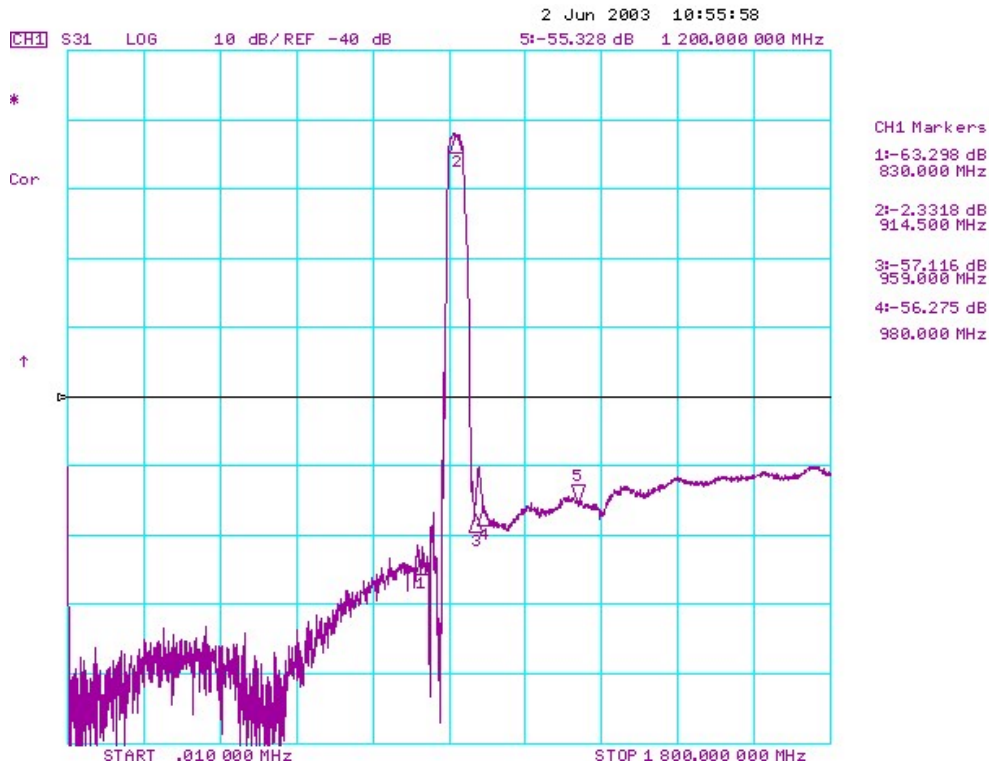
Item	Min.	Typ.	Max.
<b>Center frequency</b> <b>Fc</b> MHz	-	914.5	-
<b>Insertion loss</b> 910.5 ~ 918.5 MHz <b>IL<sub>max</sub></b> (dB)	-	2.6	4.0
<b>Amplitude ripple</b> 910.5 ~ 918.5 MHz                      (dB)	-	0.5	2.0
<b>Attenuation</b> (Relative to IL <sub>max</sub> )			
10 ~ 830    MHz                      (dB)	47	58	-
830 ~ 875    MHz                      (dB)	38	54	-
959 ~ 980    MHz                      (dB)	20	50	-
980 ~ 1200    MHz                      (dB)	42	54	-
<b>Source impedance</b> Z <sub>s</sub> (Ω)	-	50	-
<b>Load impedance</b> Z <sub>L</sub> (Ω)	-	50	-

Note1. No matching network required for operation at 50Ω

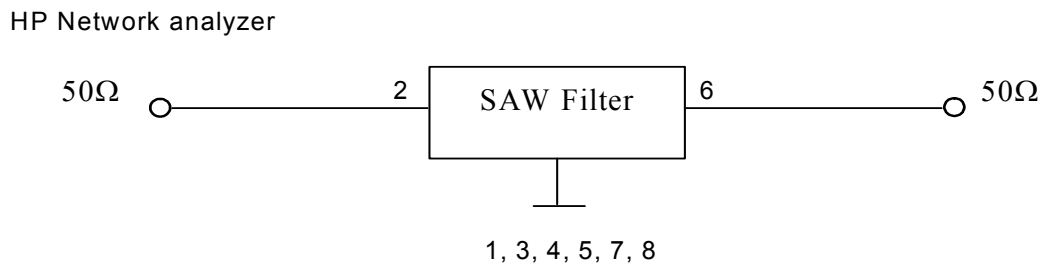
C. Transfer Function :



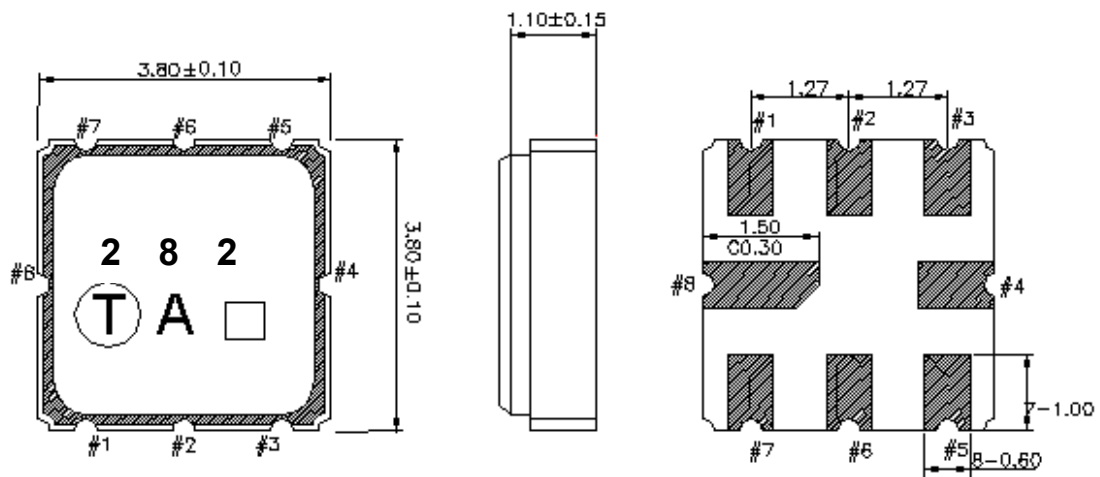
Wideband



### D. MEASUREMENT CIRCUIT:



### E. OUTLINE DRAWING:



- #2 : Input
- #6: Output
- #1,3,4,5,7,8: Ground
- : Date Code
- Unit: mm

