

PLEASE CHECK WWW.MOLEX.COM FOR LATEST PART INFORMATION

Part Number: [0496260582](#)
Status: **Active**
Description: 4.20mm (.165") Wire-to-Wire Lower TPA™ for Male Housing, 5 Circuits

Documents:

[Drawing \(PDF\)](#) [RoHS Certificate of Compliance \(PDF\)](#)

General

Product Family	Crimp Housings
Series	49626
Product Name	N/A

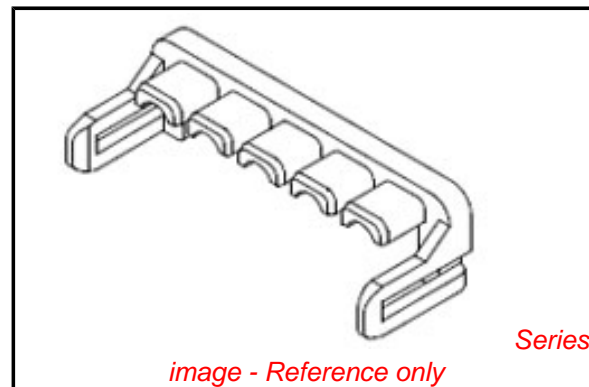
Physical

Circuits (maximum)	5
Circuits Detail	5
Color - Resin	Red
Gender	Male
Glow-Wire Compliant	No
Keying to Mating Part	None
Lock to Mating Part	Yes
Material - Resin	Nylon
Number of Rows	1
Packaging Type	Bag
Panel Mount	No
Pitch - Mating Interface (in)	0.165 In
Pitch - Mating Interface (mm)	4.20 mm
Polarized to Mating Part	Yes
Stackable	No
Temperature Range - Operating	-40°C to +105°C

Material Info

Reference - Drawing Numbers

Sales Drawing	SD-49626-001
---------------	--------------



EU RoHS

ELV and RoHS Compliant
REACH SVHC
 Not Reviewed
Halogen-Free Status

China RoHS



Need more information on product environmental compliance?

Email productcompliance@molex.com
 For a multiple part number RoHS Certificate of Compliance, [click here](#)

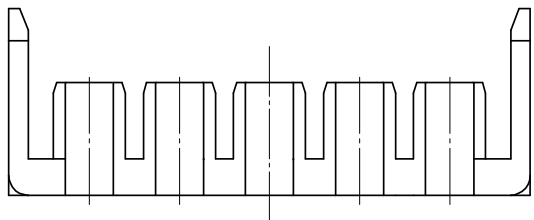
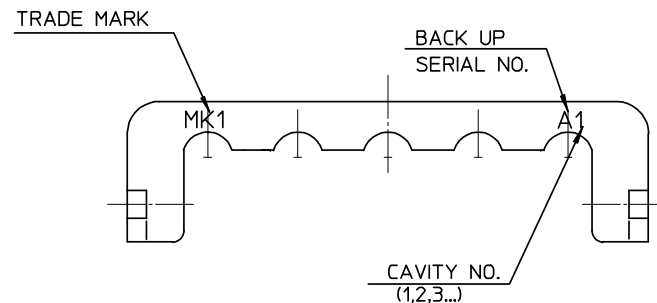
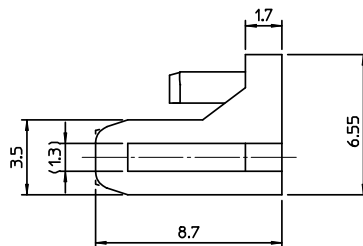
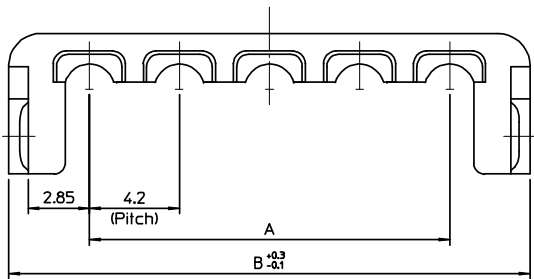
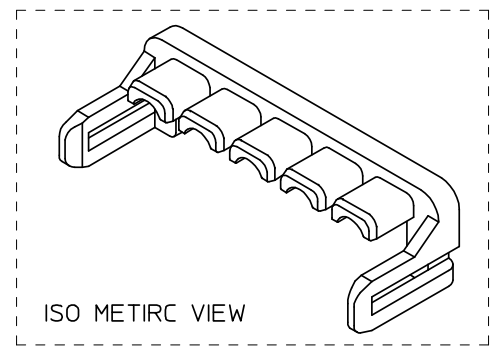
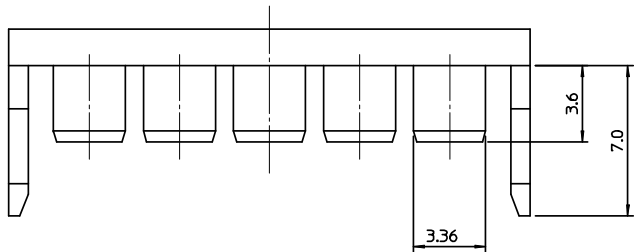
Please visit the [Contact Us](#) section for any non-product compliance questions.

Search Parts in this Series

[49626Series](#)

Mates With

4.20mm (.165") Wire-to-Wire Male TPA™
[49623](#)



-TABLE-

ENG NO.	MATREIAL NO.	A	B	CIRCUIT
49626-1182	496261182	42	49.5	11
49626-1082	496261082	37.8	45.3	10
49626-0982	496260982	33.6	41.1	09
49626-0682	496260682	21.0	28.5	06
49626-0582	496260582	16.8	24.3	05
49626-0382	496260382	8.4	15.9	03

NOTES

1. MATERIAL : POLYAMIDE(PA66),GLASS FILLED, UL94V-HB, COLOR : RED
2. APPLICABLE TERMINAL : 5558 T2A SERISE. 5558 T SERISE.
3. MATED WITH : 49623-**90 SERIES.
4. PRODUCT SPECIFICATION : PS-49623-001

RELEASED
 EC NO: KOR2008-0134
 DRWN:SKHAN01 2008/02/27
 CHKD:WY YANG 2008/02/29
 APPR:YUNS IKK IM 2008/02/29

QUALITY SYMBOLS
 ▽=0
 ▽=0

GENERAL TOLERANCES (UNLESS SPECIFIED)

	mm	INCH
4 PLACES	± ---	± ---
3 PLACES	± ---	± ---
2 PLACES	± 0.3	± ---
1 PLACE	± 0.3	± ---

ANGULAR ± 3 °

DRAFT WHERE APPLICABLE MUST REMAIN WITHIN DIMENSIONS

DIMENSION STYLE
 MM ONLY

DRAWN BY DATE
 SK HAN 2008/01/29

CHECKED BY DATE
 WY YANG 2008/01/29

APPROVED BY DATE
 EH JUNG 2008/01/29

MATERIAL NO.
 SEE TABLE

SIZE
 A3

SCALE
 4:1

DESIGN UNITS
 METRIC

THIRD ANGLE PROJECTION

TITLE
 4.2MM W/W TPA CONN.
 LOWER TPA
 FOR MALE HOUSING

MATERIAL NO.
 SD-49626-001

DOCUMENT NO.
 SD-49626-001

SHEET NO.
 1 OF 1

MOLEX INCORPORATED

THIS DRAWING CONTAINS INFORMATION THAT IS PROPRIETARY TO MOLEX INCORPORATED AND SHOULD NOT BE USED WITHOUT WRITTEN PERMISSION