

PLEASE CHECK WWW.MOLEX.COM FOR LATEST PART INFORMATION

Part Number: [0357254610](#)
Status: **Active**
Description: 6.35mm (.250") Tab Safe Locking Wire-To-Board Terminal, Female, 18-14 AWG, Pre-Tin Plated

Documents:

[Drawing \(PDF\)](#) [RoHS Certificate of Compliance \(PDF\)](#)
[Product Specification PS-35162-001 \(PDF\)](#)

Agency Certification

UL E92853

General

Product Family Crimp Terminals
 Series [35725](#)
 Crimp Quality Equipment Yes
 Product Name Tab and Receptacle

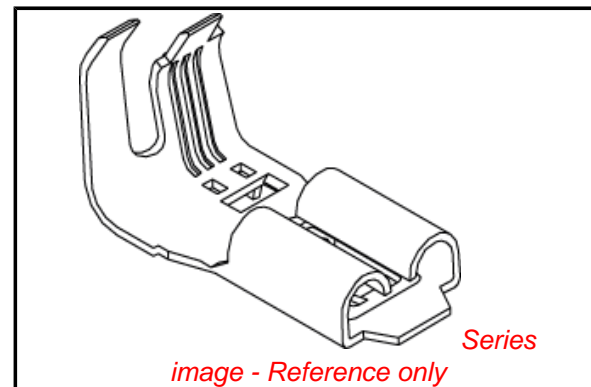
Physical

Gender Female
 Material - Metal Brass
 Material - Plating Mating Tin
 Material - Plating Termination Tin
 Packaging Type Reel
 Plating min: Mating (µin) 32.00
 Plating min: Mating (µm) 0.800
 Plating min: Termination (µin) 32.00
 Plating min: Termination (µm) 0.80
 Termination Interface: Style Crimp or Compression
 Wire Insulation Diameter 2.20-3.60mm (.087-.142")
 Wire Size AWG 14, 16, 18
 Wire Size mm² N/A

Material Info

Reference - Drawing Numbers

Product Specification PS-35162-001
 Sales Drawing SD-35725-4*10



EU RoHS

ELV and RoHS Compliant
REACH SVHC Contains SVHC: No
Halogen-Free Status

China RoHS



Need more information on product environmental compliance?

Email productcompliance@molex.com
 For a multiple part number RoHS Certificate of Compliance, [click here](#)

Please visit the [Contact Us](#) section for any non-product compliance questions.

Search Parts in this Series

[35725Series](#)

Mates With

6.35mm (.250") Tab

Use With

[35162](#) , [35818](#)

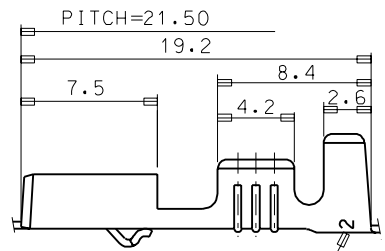
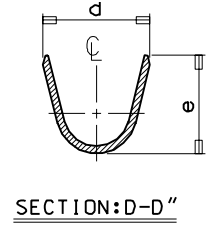
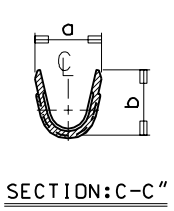
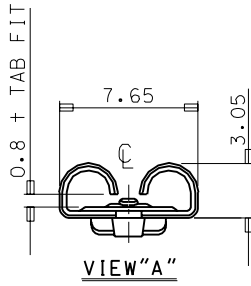
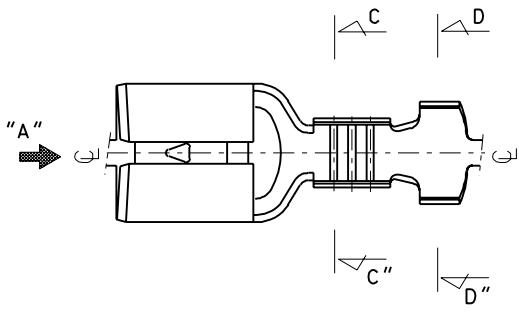
ENG. NO

EDP NO.

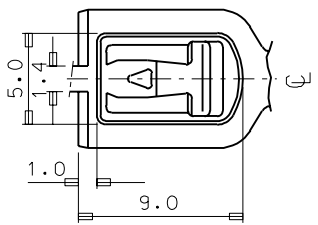
SIMILAR ITEM

PROJECT NO.

DO NOT SCALE DRAWING
DIMENSION IN METRIC



TRADE MARK
MK2



ENG.NO.	a	b	d	e	WIRE RANGE	INS. DIA.	Q' TY/REEL
35725-4510	2.7	3.0	4.6	4.4	AWG #22-#18	1.5-3.0	5,000
35725-4610	3.7	3.6	5.8	5.8	AWG #18-#14	2.2-3.6	5,000
35725-4710	5.9	5.2	7.5	6.2	AWG #14-#10	2.8-5.0	4,000

NOTES

1. MATERIAL: BRASS 0.40 THICKNESS
2. FINISH: PRE-TIN PLATING
3. MATING TAB THICKNESS: 0.8
4. RECOMMENDED LENGTH OF WIRE STRIP IS 5.5-6.0

ASS'Y PART		QTY/REEL OR PACK	SURFACE AREA	MATERIAL	WIRE RANGE	GENERAL TOLERANCES	MOLEX MOLEX-KOREA CO.,LTD.					
DESCRIPTION	ENG.NO.							MM ²	AWG:	DIM. ±0.30		
		---	---	---	---	ANGLE :						
DIMENSION CLASSIFICATION												
<input checked="" type="checkbox"/> : CRITICAL <input checked="" type="checkbox"/> : MAJOR <input type="checkbox"/> : MINOR () : REFERENCE												
DRAWN BY W. Y. YANG				CHK'D BY B. K. CHOI	INSULATION RANGE	TITLE: .250 SAFE LOCK RECEPTACLE	1 of 1					
LTR	REVISION RECORD	ECN	DR/CHK	DATE	DIE FEED 21.5	APPL FEED 21.5	WBDW	IBDW	APP'D BY	SCALE 4:1	ENG.NO. SD35725-4510/4610/4710	REV B