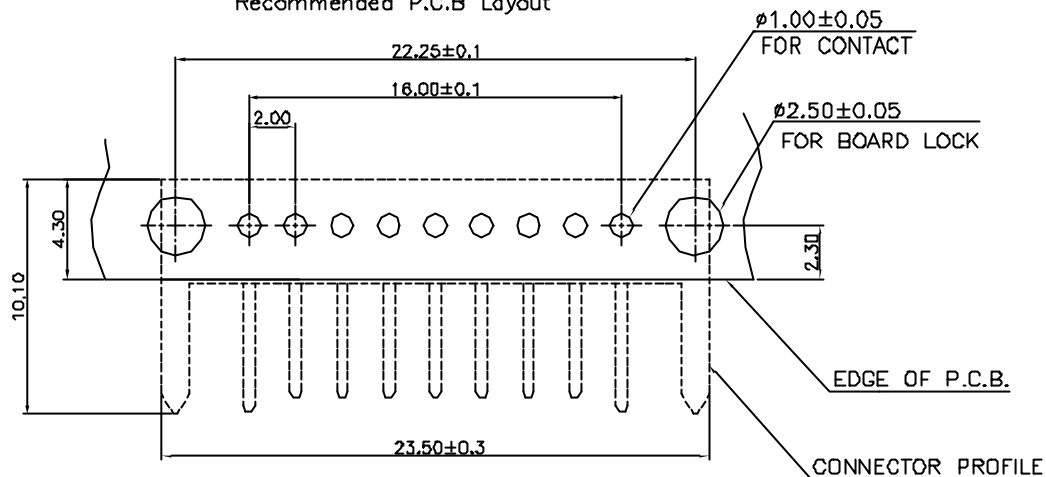
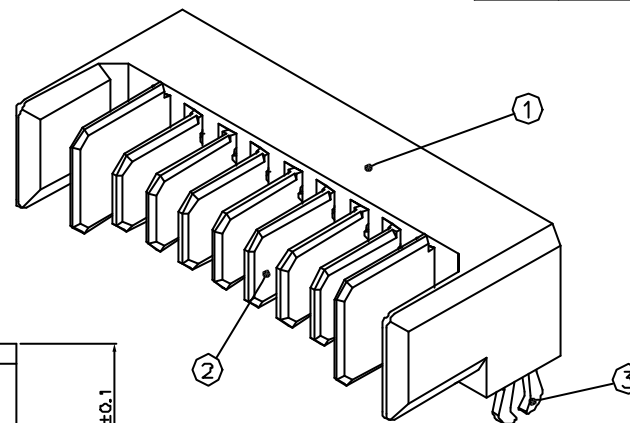
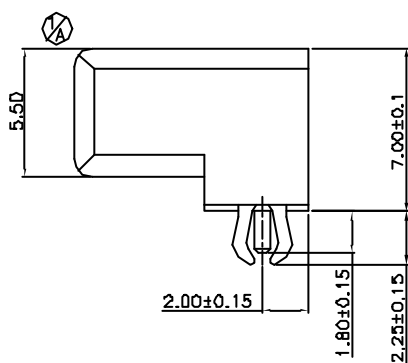


Recommended P.C.B Layout



NOTE :
200275MR009□□54ZL

- Plating
 *G1,-05u" gold over nickel.
 *G2,-Indicate gold flash.
 *G3,-10u" gold over nickel.
 *G4,-15u" gold over nickel.
 *G5,-30u" gold over nickel.



3	FORK	Brass	—	Tin plated
2	TERMINAL	Brass	—	Gold plated
1	HOUSING	High Temp Plastics	Black	UL 94V-0
NO.	DESCRIPTION	MATERIAL	COLOR	REMARK

SUYIN
CONNECTOR

CUSTOMER COPY TITLE: 2.0mm BATTERY CONN. R/A HEADER

PART NO.	200275MR009GX54ZL
PART NO. (OLD)	
DRAWING NO.	D INC 200275MR009GX54ZL
SCALE	4:1
UNIT	mm
A4	⊗

Angle	±2°	DRAW	鄭家奇	D4/03/18
30 ~	±0.50	DESIGN	鄭家奇	D4/03/18
10 ~ 30	±0.30	CHECK	陳清照	D4/03/18
~ 10	±0.15	APPRO.	陳清照	D4/03/18
GENERAL TOLERANCE UNLESS OTHERWISE NOTED				

ECN (DCN) NO.	REV	DATE	DESCRIPTION	CHANGE	APPRO.
	0	04/03/29	A1:圓角由 R0.50→R0.80. NEW		