

PLEASE CHECK WWW.MOLEX.COM FOR LATEST PART INFORMATION

Part Number: [0345650003](#)
Status: **Active**
Overview: [mx123 sealed connection systems](#)
Description: MX123™ 73/80 Circuit Dress Cover

Documents:

[Drawing \(PDF\)](#) [RoHS Certificate of Compliance \(PDF\)](#)
[Product Specification PS-34566-0000 \(PDF\)](#)

General

Product Family	Accessories
Series	34565
Component Type	Cover
Overview	mx123 sealed connection systems
Product Name	MX123

Physical

Circuits (Loaded)	0
Color - Resin	Black
Lock to Mating Part	Yes
Material - Resin	Polyester Alloy
Packaging Type	Carton

Material Info

Reference - Drawing Numbers

Packaging Specification	PK-31300-180
Product Specification	PS-34566-0000
Sales Drawing	SD-34565-001



EU RoHS

**ELV and RoHS
Compliant**
**REACH SVHC
Contains SVHC: No**
**Halogen-Free
Status**
Not Reviewed

China RoHS

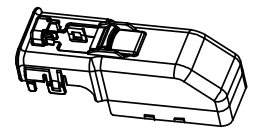
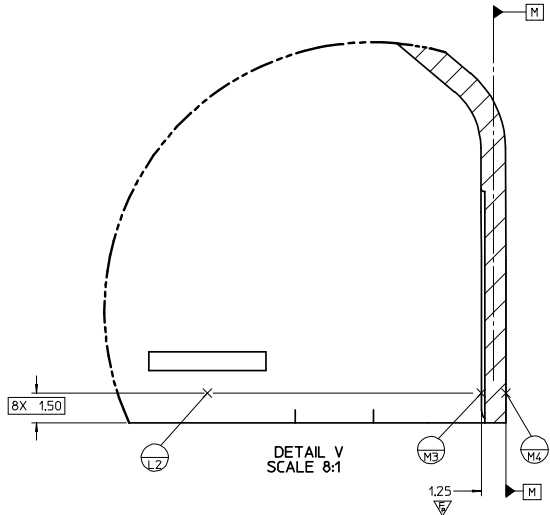
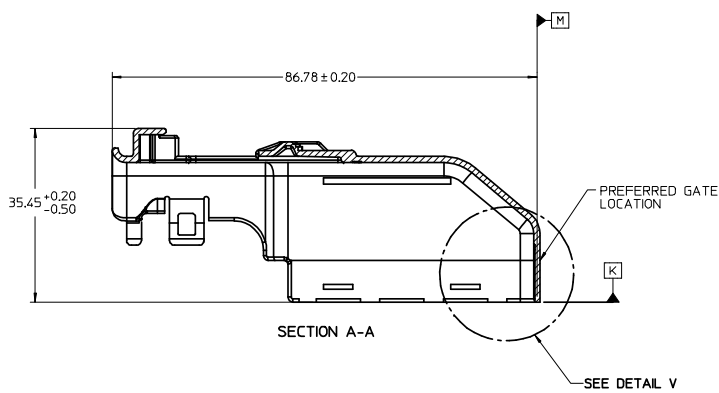
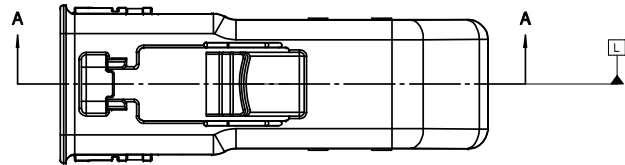


**Need more information on product
environmental compliance?**

Email productcompliance@molex.com
 For a multiple part number RoHS Certificate of
 Compliance, [click here](#)

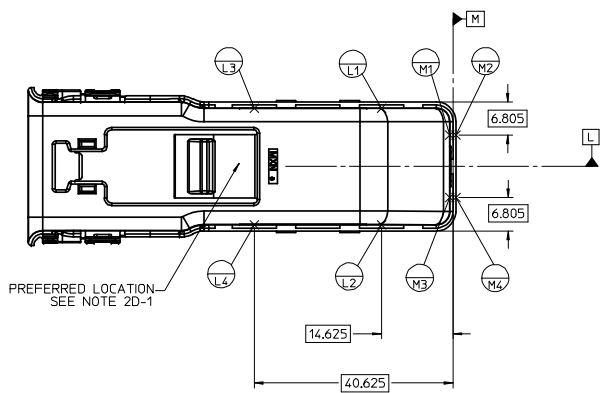
Please visit the [Contact Us](#) section for any
 non-product compliance questions.

Search Parts in this Series
[34565Series](#)



NOTES: UNLESS OTHERWISE SPECIFIED

- 1. MATERIAL:**
 A. RESIN: PBT, G.F. 30%
 20% MAX. REGRIND (BY WEIGHT)
 B. COLOR: SEE TABLE
- 2. DESIGN - GENERAL:**
 A. THIS IS A 100% CAD GENERATED PART. THE CAD MATHEMATICAL DATA IS THE MASTER FOR THIS PART. FOR DIMENSIONAL OR ANY INFORMATION NOT SHOWN ON THIS DRAWING, ANALYZE THE CAD MODEL.
 B. TOLERANCES:
 a. LINEAR X.X ± 0.30
 X.XX ± 0.10
 X.XXX ± 0.10
 b. ANGULAR X° ± 3.0°
 C. CORNERS SHOWN AS SHARP TO BE R 0.2 MAX.
 D-1. FOLLOWING PRODUCTION CODES TO BE PRESENT
 a. DATE CODE
 b. CAVITY ID
 E-1. PARTS MUST BE FREE OF DISCOLORATION, SALT RESIDUE AND OTHER IMPERFECTIONS THAT AFFECT FIT OR FUNCTION.
 E-2. SCRATCHES OR DENTS NOT TO EXCEED 0.13mm IN DEPTH.
 F. CHANGES IN DESIGN FROM PART PREVIOUSLY APPROVED REQUIRES PRIOR ENGINEERING APPROVAL. THIS INCLUDES BUT IS NOT LIMITED TO DRAFT, MATERIAL OR PROCESSING.
- 3. DESIGN - MANUFACTURING:**
 A. DRAFT TO BE WITHIN TOLERANCE.
 B. ALLOWABLE FLASH 0.2 MAX HIGH X 0.13 MAX THICK.
 C. ALLOWABLE PARTING LINE MISMATCH 0.2 MAX.
 D. EJECTOR PINS MARK TO BE FLUSH TO 0.25 MAX DEPRESSED.
 E. ALLOWABLE GATE VESTIGE TO BE FLUSH TO 0.25 MAX PROTRUSION.



AUTOMATION ENGINEERING FUNCTIONAL ASSEMBLY: 0
 CUSTOMER FUNCTIONAL CUSTOMER: 0
 PRODUCT ENGINEERING FUNCTIONAL PRODUCT: 1

ENTER DESCRIPTION
 IEC NO: UAU2008-0708
 DRAWN BY: SRAJENDRANAT 2008/05/05
 CHKD: SIKIVER 2008/05/05
 APPR: VKOSHY 2008/05/05

QUALITY SYMBOLS	GENERAL TOLERANCES (UNLESS SPECIFIED)	DIMENSION STYLE	SCALE	DESIGN UNITS	THIRD ANGLE PROJECTION
▽=0	4 PLACES ± --- ± ---	MM ONLY	2:1	METRIC	☉ □
▽=0	3 PLACES ± --- ± ---				
	2 PLACES ± --- ± ---				
	1 PLACE ± --- ± ---				
	ANGULAR ± ---°				
	DRAFT WHERE APPLICABLE MUST REMAIN WITHIN DIMENSIONS				

34565-0003	D	BLACK	SALEABLE		
MATERIAL NO.	MATERIAL REV	COLOR	STATUS	D3	RELEASED INTO ONE-SPACE FROM PRO-E
				REV	DESCRIPTION
AS NOTED			MOLEX INCORPORATED		
SD-34565-001			SD-34565-001		
THIS DRAWING CONTAINS INFORMATION THAT IS PROPRIETARY TO MOLEX INCORPORATED AND SHOULD NOT BE USED WITHOUT WRITTEN PERMISSION			SHEET NO. 1 OF 1		