

PLEASE CHECK WWW.MOLEX.COM FOR LATEST PART INFORMATION

Part Number: [0471518341](#)
Status: **Active**
Overview: high definition multimedia interface hdmi
Description: 0.50mm (.020") Pitch HDMI* Receptacle, Right Angle, Front Solder Tab Length 1.80mm (.071"), Contact 0.25µm (10µ") Gold (Au) Plating, without Flange, with Back Cover and Dimple, Tape on Reel Packaging, Black Housing, 19 Circuits, Lead Free

Documents:

[3D Model](#) [Product Specification PS-47152-001 \(PDF\)](#)
[Drawing \(PDF\)](#) [RoHS Certificate of Compliance \(PDF\)](#)

General

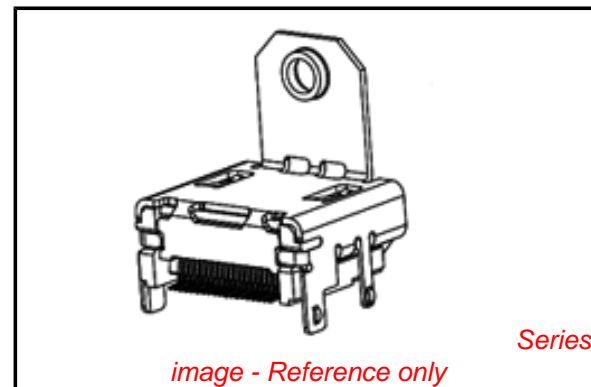
Product Family	I/O Connectors
Series	47151
Application	Wire-to-Board
Component Type	Receptacle
Overview	high definition multimedia interface hdmi
Product Name	HDMI
Type	N/A

Physical

Boot Color	N/A
Circuits (Loaded)	19
Color - Resin	Black
Gender	Male
Keying to Mating Part	Yes
Lock to Mating Part	Yes
Material - Metal	Copper Alloy
Material - Plating Mating	Gold
Material - Plating Termination	Tin-Bismuth
Material - Resin	High Temperature Thermoplastic
Number of Rows	2
Orientation	Right Angle
PCB Locator	No
PCB Retention	Yes
Packaging Type	Embossed Tape on Reel
Panel Mount	Without Flange
Pitch - Mating Interface (in)	0.020 In
Pitch - Mating Interface (mm)	0.50 mm
Pitch - Term. Interface (in)	0.020 In
Pitch - Term. Interface (mm)	0.50 mm
Plating min: Mating (µin)	10
Plating min: Mating (µm)	0.25
Plating min: Termination (µin)	40
Plating min: Termination (µm)	1
Polarized to Mating Part	Yes
Polarized to PCB	Yes
Ports	1
Temperature Range - Operating	-20°C to +85°C
Termination Interface: Style	Surface Mount
Waterproof / Dustproof	No
Wire Size AWG	N/A

Electrical

Current - Maximum per Contact	.5A
Shielded	Yes



EU RoHS

**ELV and RoHS
Compliant**
**REACH SVHC
Contains SVHC: No**
Halogen-Free
**Status
Not Reviewed**

China RoHS



**Need more information on product
environmental compliance?**

Email productcompliance@molex.com
 For a multiple part number RoHS Certificate of Compliance, [click here](#)

Please visit the [Contact Us](#) section for any non-product compliance questions.

Search Parts in this Series

[47151Series](#)

Mates With

[88768](#) HDMI cable assembly, [88764](#) HDMI Adapter, [88767](#) HDMIAdapter

Voltage - Maximum 40V DC

Solder Process Data

Duration at Max. Process Temperature (seconds)	48
Lead-free Process Capability	Reflow Capable (SMT only)
Max. Cycles at Max. Process Temperature	2
Process Temperature max. C	255

Material Info

Reference - Drawing Numbers

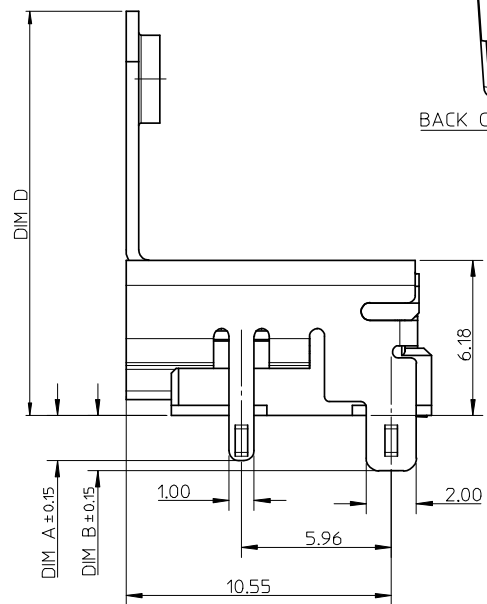
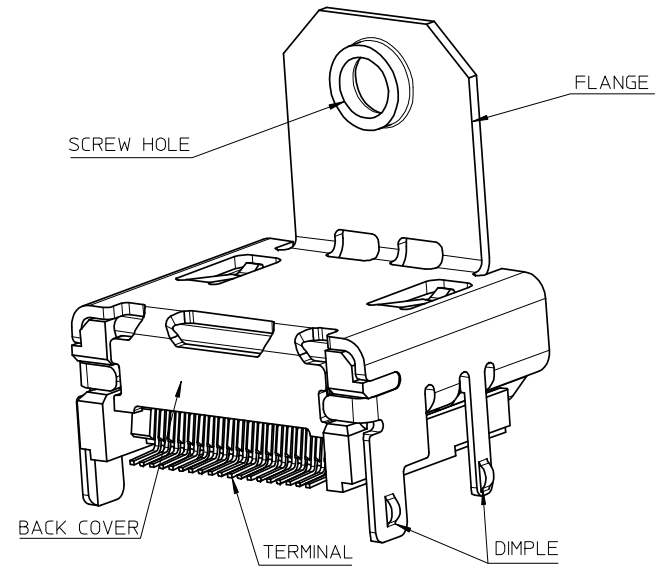
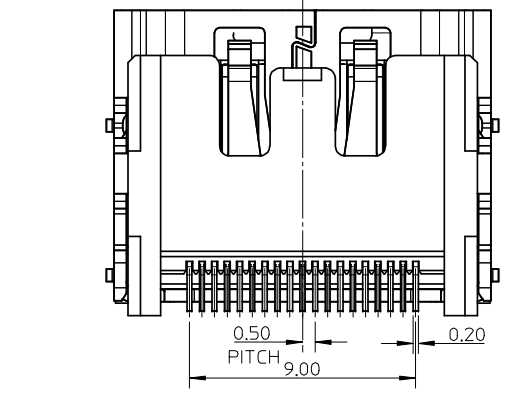
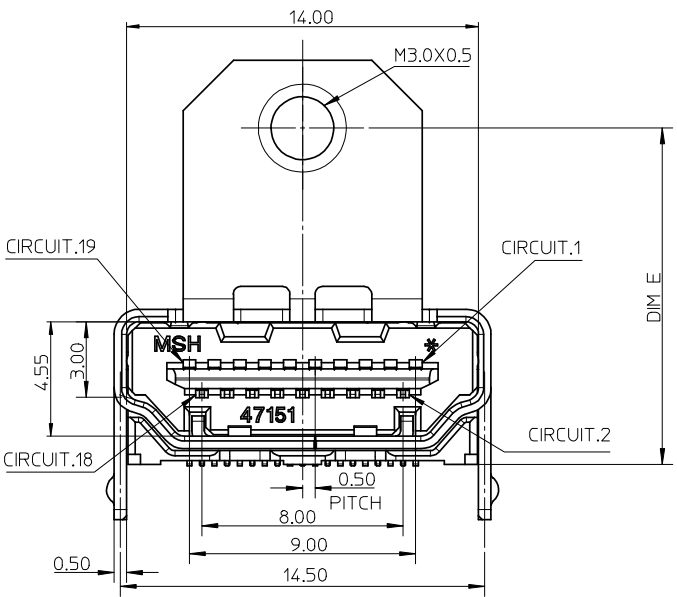
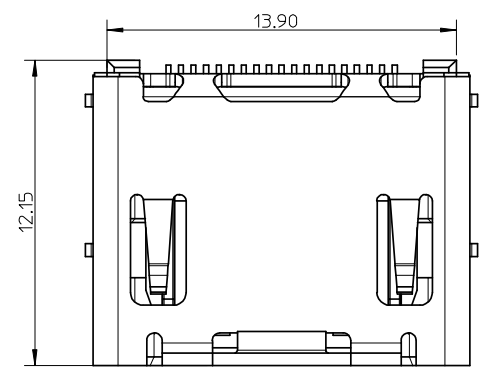
Packaging Specification	PK-47151-001
Product Specification	PS-47152-001
Sales Drawing	SD-47151-201

* High Definition Multimedia Interface and HDMI are trademarks of HDMI Licensing, LLC.

This document was generated on 05/19/2010

PLEASE CHECK WWW.MOLEX.COM FOR LATEST PART INFORMATION

10 9 8 7 6 5 4 3 2 1



NEW RELEASE
 EC NO: SH2009-0025
 DRW: CWTANG 2008/07/24
 CHKD:
 APPR: HWANG 2008/08/19

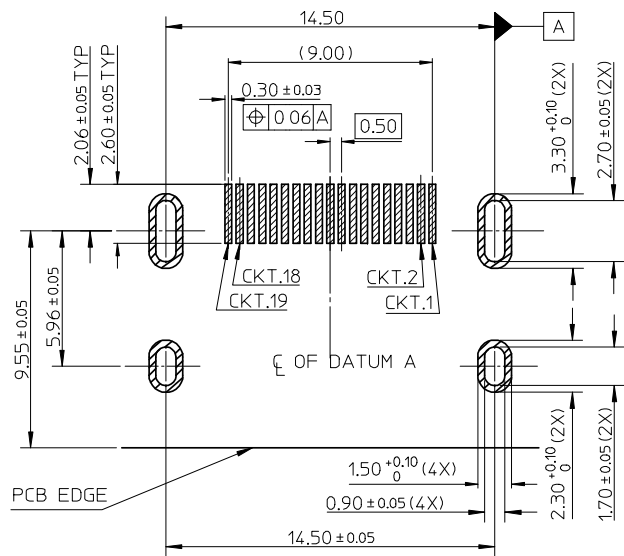
REV	DESCRIPTION

QUALITY SYMBOLS ▽=0 ◻=0	GENERAL TOLERANCES (UNLESS SPECIFIED)		
		mm	INCH
	4 PLACES	± ---	± ---
	3 PLACES	± ---	± ---
	2 PLACES	± 0.25	± ---
1 PLACE	± ---	± ---	
ANGULAR ± 3 °			
DRAFT WHERE APPLICABLE MUST REMAIN WITHIN DIMENSIONS			

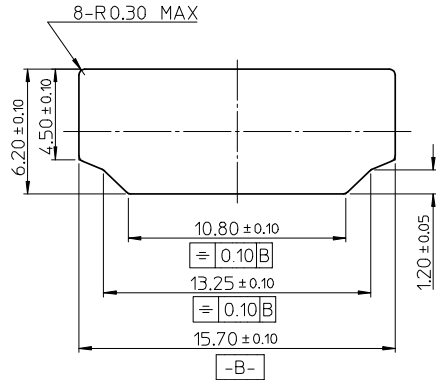
DIMENSION STYLE MM ONLY	
DRAWN BY JZENG	DATE 2006/09/06
CHECKED BY JOHNSON TIAN	DATE 2006/09/07
APPROVED BY JENNY CHEN	DATE 2006/09/07
MATERIAL NO.	
SEE SHEET 2	

SCALE 5:1	DESIGN UNITS METRIC	THIRD ANGLE PROJECTION
TITLE 1.0 HDMI RIGHT ANGLE HEADER WITH DIMPLE TYPE LEAD FREE		
MOLEX INCORPORATED		
DOCUMENT NO. SD-47151-201	SHEET NO. 1 OF 2	
THIS DRAWING CONTAINS INFORMATION THAT IS PROPRIETARY TO MOLEX INCORPORATED AND SHOULD NOT BE USED WITHOUT WRITTEN PERMISSION		

9 8 7 6 5 4 3 2 1



RECOMMENDED PCB LAYOUT
CONNECTOR SIDE



RECOMMENDED PANEL CUT OUT DIMENSION

NOTES:

- MATERIAL:
HOUSING: HIGH TEMPERATURE THERMAL PLASTIC .
SHELL: COPPER ALLOY
TERMINAL: COPPER ALLOY.
- PLATING:
TERMINAL: A>.CONTACT AREA: 0.76 MICROMETER MIN. GOLD PLATING.
B>.CONTACT AREA: 0.25 MICROMETER MIN. GOLD PLATING.
C>.CONTACT AREA: GOLD FLASH PLATING.
SOLDER AREA: 1 MICROMETER MIN. TIN-BISMUTH ALLOY PLATED.
UNDER PLATE: 1.27 MICROMETER MIN. NICKEL.
SHELL: (1) 1.27 MICROMETER MIN. SOLDERABLE NICKEL PLATE OVERALL.
- COPLANARITY IS 0.1MM MAX.
- PRODUCT SPECIFICATION REFER TO PS-47152-001.
- PACKAGE SPECIFICATION FOR WITHOUT FLANGE REFER TO PK-47151-001.
WITH FLANGE REFER TO PK-47151-002
- PRODUCT COMPLIANT TO ROHS DIRECTIVE 2002/95/EC AND ELV 2000/53/EC.

47151-8351	1.80	2.20	0.20	N/A	N/A	WITHOUT	WITH	WITH	PLATING C
47151-8252	1.80	2.20	0.20	14.25	11.28	WITH	WITH	WITH	PLATING B
47151-8341	1.80	2.20	0.20	N/A	N/A	WITHOUT	WITH	WITH	
47151-8242	1.80	2.20	0.20	14.25	11.28	WITH	WITH	WITH	PLATING A
47151-8331	1.80	2.20	0.20	N/A	N/A	WITHOUT	WITH	WITH	
47151-8212	1.80	2.20	0.20	14.25	11.28	WITH	WITH	WITH	PLATING A
PART NO.	A	B	C	D	E	FLANGE	BACK COVER	DIMPLE	CONTACT AREA PLATING

SEE SHEET 1 EC NO: SHZ009-0025 DRWN: CWTANG 2008/07/24 CHKD: XJSONG APPR: HWANG 2008/08/19	QUALITY SYMBOLS ▽=0 ∇=0	GENERAL TOLERANCES (UNLESS SPECIFIED)		DIMENSION STYLE MM ONLY		SCALE 5:1	DESIGN UNITS METRIC	THIRD ANGLE PROJECTION		
		mm	INCH	DRAWN BY JZENG	DATE 2006/09/06	TITLE 1.0 HDMI RIGHT ANGLE HEADER WITH DIMPLE TYPE LEAD FREE				
D	REV	4 PLACES	± ---	± ---	CHECKED BY JOHNSON TIAN	DATE 2006/09/07	MOLEX INCORPORATED			
		3 PLACES	± ---	± ---	APPROVED BY JENNY CHEN	DATE 2006/09/07	DOCUMENT NO. SD-47151-201		SHEET NO. 2 OF 2	
DRAFT WHERE APPLICABLE MUST REMAIN WITHIN DIMENSIONS		ANGULAR ± 3 °		SIZE A3	THIS DRAWING CONTAINS INFORMATION THAT IS PROPRIETARY TO MOLEX INCORPORATED AND SHOULD NOT BE USED WITHOUT WRITTEN PERMISSION					