

**PLEASE CHECK WWW.MOLEX.COM FOR LATEST PART INFORMATION**

**Part Number:** [0885277800](#)  
**Status:** **Active**  
**Overview:** [fiber optic product families](#)  
**Description:** SC-to-ST, Multimode, 62.5/125µm, Duplex, 2.00mm (.079"), Standard Fiber Optic Cable Assembly, 1.0m (3.28' )

**Documents:**

[Drawing \(PDF\)](#) [RoHS Certificate of Compliance \(PDF\)](#)

**General**

Product Family	Fiber Optic Assemblies
Series	<a href="#">88527</a>
Connector to Connector	SC-to-ST
Mode	Multimode
Overview	<a href="#">fiber optic product families</a>
Product Name	SC

**Physical**

Cable Length	1.0m (3.28' )
Cable Size	2.00mm (.079")
Fiber (Core/Cladding)	62.5/125µm
Single Ended	No
Wire/Cable Type	Duplex

**Material Info**

**Reference - Drawing Numbers**

Sales Drawing	SD-88527-073
---------------	--------------

**EU RoHS**

**ELV and RoHS  
Compliant**

**REACH SVHC**

**Not Reviewed**

**Halogen-Free**

**Status**

**Not Reviewed**

**China RoHS**



**Need more information on product  
environmental compliance?**

Email [productcompliance@molex.com](mailto:productcompliance@molex.com)  
For a multiple part number RoHS Certificate of  
Compliance, [click here](#)

Please visit the [Contact Us](#) section for any  
non-product compliance questions.

**Search Parts in this Series**

[88527Series](#)

7

6

5

4

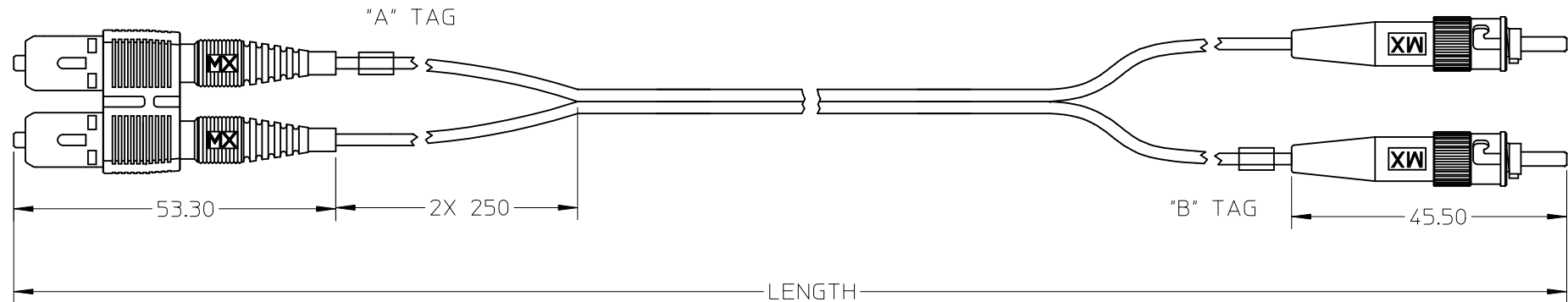
3

2

1

SC DUP 2.4MM CONNECTOR

ST SM 2.0/1.6MM CONNECTOR



885277804	SC-ST DUP MM 62.5/125 2MM 10M	10000(+200/-0)
885277803	SC-ST DUP MM 62.5/125 2MM 5M	5000(+200/-0)
885277802	SC-ST DUP MM 62.5/125 2MM 3M	3000(+200/-0)
885277801	SC-ST DUP MM 62.5/125 2MM 2M	2000(+200/-0)
885277800	SC-ST DUP MM 62.5/125 2MM 1M	1000(+100/-0)
MX P/N	DESCRIPTION	LENGTH

NOTES:

- 1. DUST CAPS ARE NOT SHOWN
- 2. PER CHANNEL @ 850nm  
IL <= 0.50dB

<b>ENTER DESCRIPTION</b> EC NO: DG2009-0079 DRWN: XPCHEN CHKD: APPR: JOWANG	<b>QUALITY SYMBOLS</b>  	<b>GENERAL TOLERANCES (UNLESS SPECIFIED)</b>		<b>DIMENSION STYLE</b> <b>MM ONLY</b>		<b>SCALE</b> ---	<b>DESIGN UNITS</b> <b>METRIC</b>	<b>THIRD ANGLE PROJECTION</b>		
				DRAWN BY XP	DATE 2008/11/03	<b>TITLE</b> SC-ST DUP MM 62.5 2MM				
				CHECKED BY LISA	DATE 2008/11/03	<b>MOLEX INCORPORATED</b>				
				APPROVED BY JOHNNY	DATE 2008/11/03	MATERIAL NO. <b>ENTER PART</b>	DOCUMENT NO. SD-88527-073	SHEET NO. 1 OF 00		
<b>ENTER DESCRIPTION</b> EC NO: DG2009-0079 DRWN: XPCHEN CHKD: APPR: JOWANG		<b>REVISION</b> B	<b>DRAFT WHERE APPLICABLE MUST REMAIN WITHIN DIMENSIONS</b>		<b>THIS DRAWING CONTAINS INFORMATION THAT IS PROPRIETARY TO MOLEX INCORPORATED AND SHOULD NOT BE USED WITHOUT WRITTEN PERMISSION</b>					

6

5

4

3

2

1