

GOG96024

THREE PHASE AC-DC BRIDGE

Fuse protection
Blown fuse indicators with microswitch
Over temperature switches
Fan loss detection circuit
Snubber for SCR's protections
Extractible stacks for easy field service

LINE VOLTAGE UP TO 690V
DC OUTPUT CURRENT 2400 A

GOG96027

Line to line voltage	690 V
----------------------	-------

Characteristic	Conditions	Value
I _{DC}	DC output current	2400 A
V _{INS} (rms)	Insulation voltage	3000 V

THYRISTOR CHARACTERISTICS

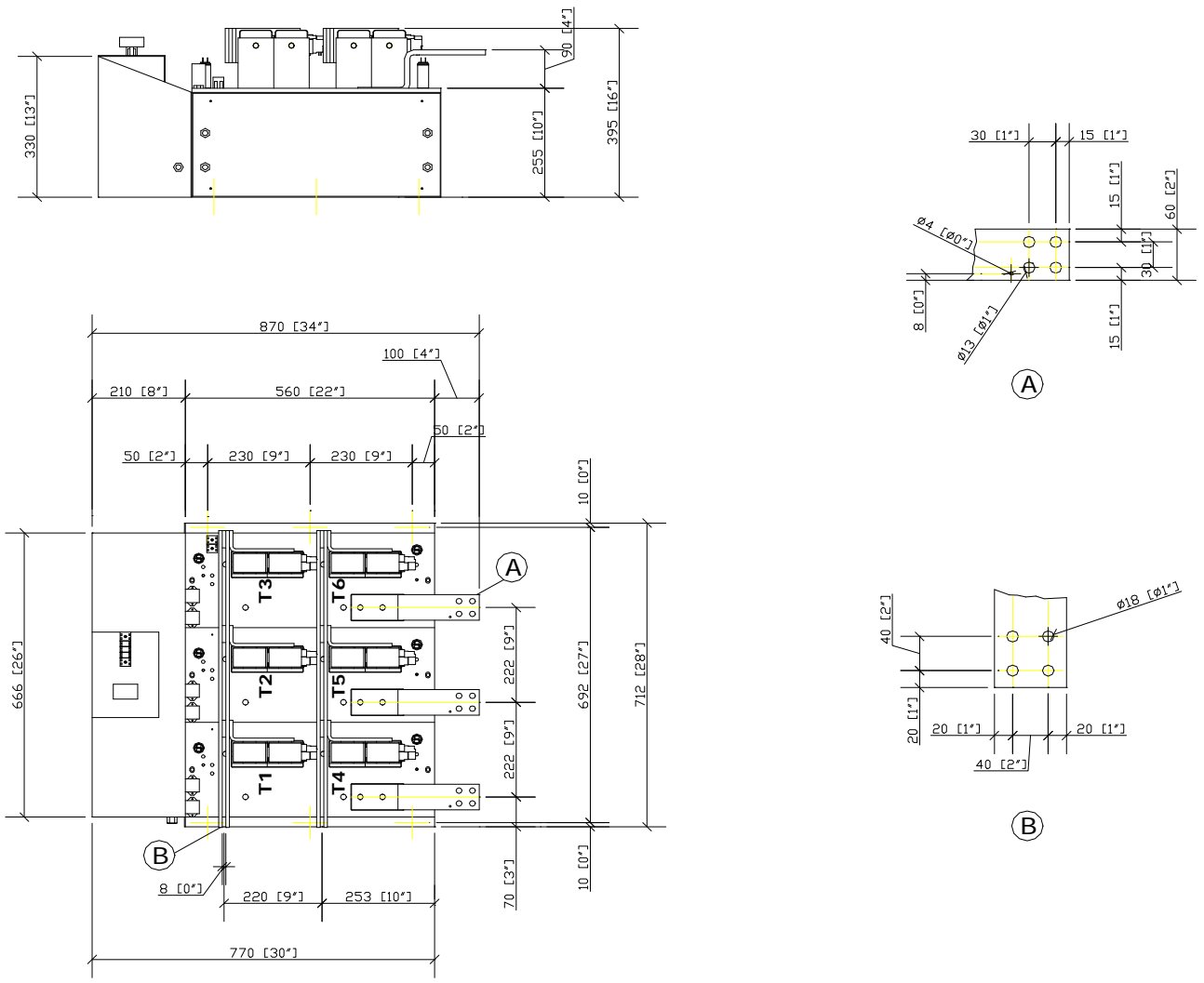
V _{GT}	Gate trigger voltage	T _j = 25 °C, V _D = 5 V	3 V
I _{GT}	Gate trigger current	T _j = 25 °C, V _D = 5 V	400 mA
dV/dt	Critical rate of rise off-state voltage	T _j = 125 °C	1000 V/us
V _{RRM}	Blocking Voltage	T _j = 125 °C	2200 V

FUSE TYPE: 2 x SIBA 2068132.700

V _{NF}	Rated voltage	690 V
I _{NF}	Rated current	700 A
P _{VF}	Power loss	At rated current 113 W
I ² t	Total I ² t	At 660 V 300 kA ² s

MECHANICAL AND THERMAL CHARACTERISTICS

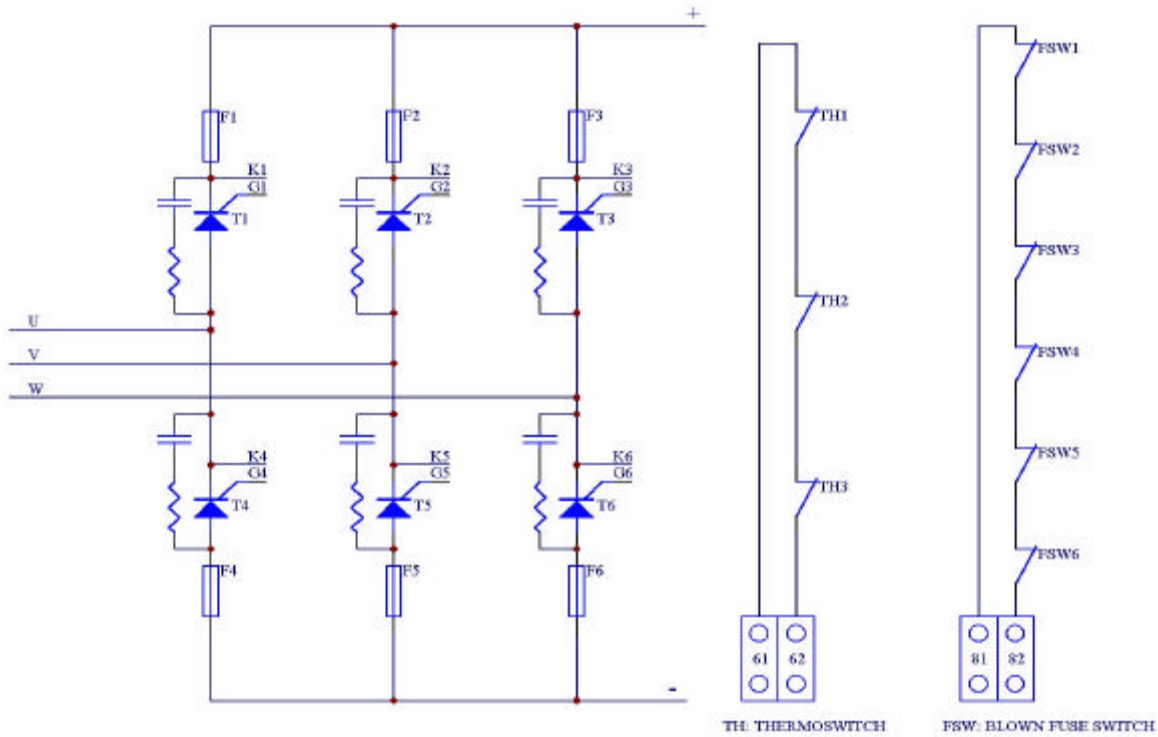
	Width	712 mm
	Depth	395 mm
	Height	855 mm
	Mass	140 kg
T _a max	Max amb. op. Temp.	40 °C
T _{stg}	Storage temperature	-40/60 °C



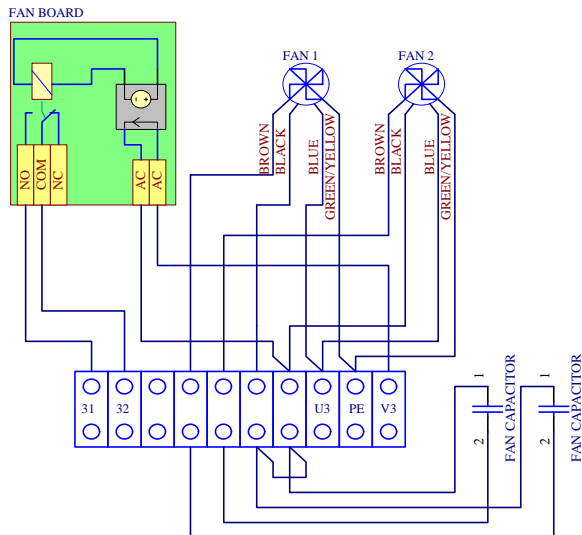
The part numbering system is reported at the beginning of the Open Assembly section.

Customisations are available on request. Please contact factory.

In the interest of product improvement Green Power Solutions reserves the right to change any specification given in this data sheet without notice.



61-62: THERMOSWITCH CIRCUIT CONNECTION
81-82: BLOWN FUSE SWITCH CIRCUIT CONNECTION



U3-V3: MAIN SUPPLY
PE: GROUND CONNECTION (GND)
31-32: FAN BOARD CONTACT (CLOSED WHEN FAN RUNNING)

Cooling:

Fan type:	single phase axial
Number of fans:	2
Voltage:	230 V
Current:	0.6 A
Frequency:	50/60 Hz
Noise:	62 dBA

In the interest of product improvement Green Power Solutions reserves the right to change any specification given in this data sheet without notice.