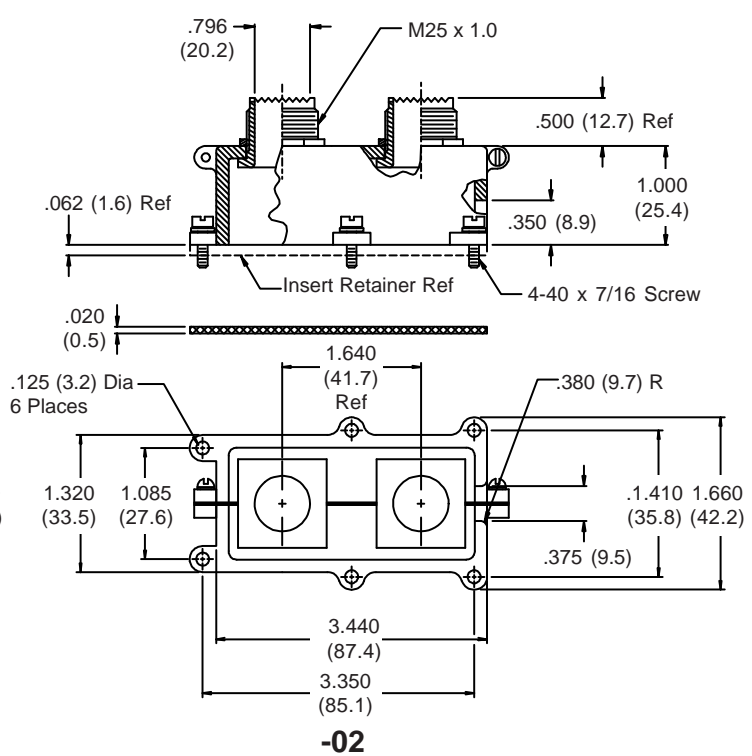
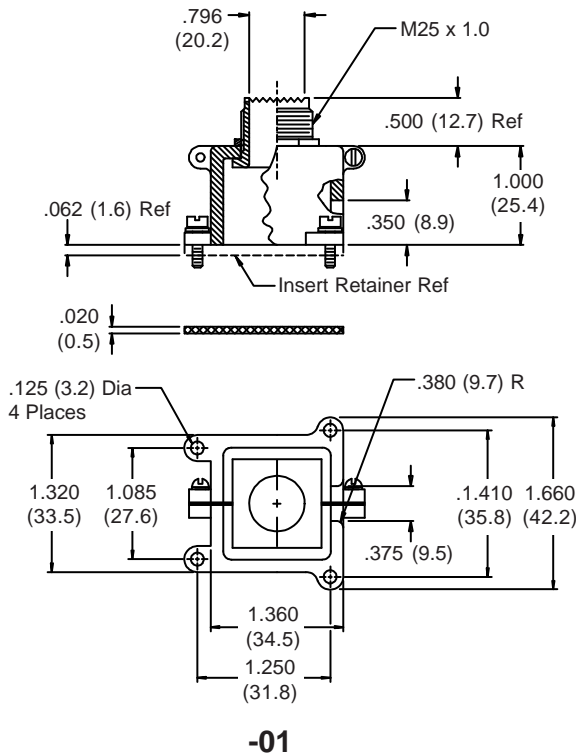
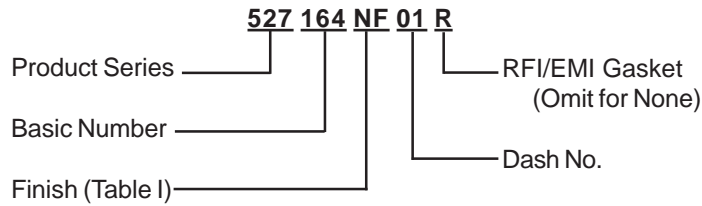


527-164 Backshell Assembly

with MIL-C-38999, Series III Accessory Threads
for Size 2 ARINC 600 Series Connectors



NOTES:
 1. Metric dimensions (mm) are indicated in parentheses.
 2. Backshell must be used in conjunction with Insert Retainer Plates.

TABLE II: FINISH OPTIONS

| Symbol | Finish | Symbol | Finish |
|--------|---|--------|--|
| B | Cadmium Plate/Olive Drab | NC | Zinc Cobalt/Dark Olive Drab |
| C* | Black Anodize | NF | Cadmium Plate/Olive Drab over Electroless Nickel |
| G* | Anodic Hard Coat | T | Cadmium Plate/Bright over Electroless Nickel |
| J | Gold Iridite over Cadmium Plate over Electroless Nickel | U** | Cadmium Plate/Black |
| LF | Cadmium Plate/Bright over Electroless Nickel | ZN | Zinc-Nickel Alloy/Olive Drab |
| N | Cadmium Plate/Olive Drab over Electroless Nickel | | |

*Anodize finish is not suitable for EMI shielding or grounding applications.
 **Applicable to corrosion resisting steel backshells and accessories. Consult factory for other available finishes.