

**PLEASE CHECK WWW.MOLEX.COM FOR LATEST PART INFORMATION**

**Part Number:** **0676432990**  
**Status:** **Active**  
**Description:** Universal Serial Bus (USB) Shielded I/O Receptacle, Right Angle, Type A, High-Temperature Black Nylon, Gold (Au) Flash, PCB Thickness 1.60mm (.063"), with Upper Flange, for IR Reflow Process, Lead Free

**Documents:**

[3D Model](#) [Product Specification PS-67643-003 \(PDF\)](#)  
[Drawing \(PDF\)](#) [RoHS Certificate of Compliance \(PDF\)](#)

**General**

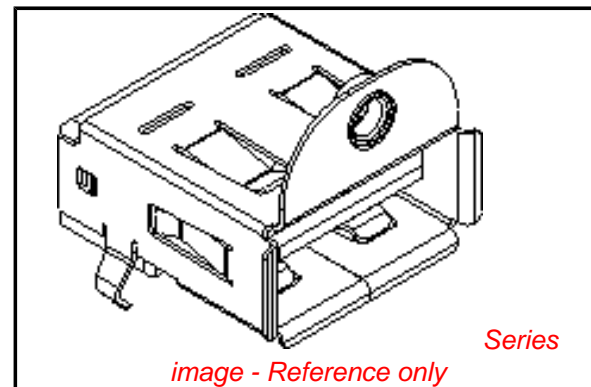
Product Family	I/O Connectors
Series	67643
Application	Wire-to-Board
Comments	With Upper Flange For IR Reflow Process
Component Type	Receptacle
Product Name	USB
Type	A

**Physical**

Boot Color	N/A
Circuits (Loaded)	4
Circuits (maximum)	4
Gender	Receptacle
Keying to Mating Part	Yes
Lock to Mating Part	Yes
Material - Plating Mating	Gold
Material - Plating Termination	Tin
Number of Rows	1
Orientation	Right Angle
PC Tail Length (in)	0.102 In
PC Tail Length (mm)	2.60 mm
PCB Locator	Yes
PCB Retention	Yes
PCB Thickness Recommended (in)	0.062 In
PCB Thickness Recommended (mm)	1.60 mm
Packaging Type	Tray
Panel Mount	Yes
Pitch - Mating Interface (in)	0.079 In, 0.098 In
Pitch - Mating Interface (mm)	2.00 mm, 2.50 mm
Pitch - Term. Interface (in)	0.079 In, 0.098 In
Pitch - Term. Interface (mm)	2.00 mm, 2.50 mm
Polarized to Mating Part	Yes
Polarized to PCB	Yes
Ports	1
Surface Mount Compatible (SMC)	Yes
Temperature Range - Operating	0°C to +50°C
Termination Interface: Style	Through Hole
Waterproof / Dustproof	No

**Electrical**

Current - Maximum per Contact	1.5A
Shield Type	Full Shield
Shielded	Yes
Voltage - Maximum	30V DC



**EU RoHS**

**ELV and RoHS  
Compliant**  
**REACH SVHC**  
 Not Reviewed  
**Halogen-Free  
Status**

**China RoHS**



**Need more information on product  
environmental compliance?**

Email [productcompliance@molex.com](mailto:productcompliance@molex.com)  
 For a multiple part number RoHS Certificate of Compliance, [click here](#)

Please visit the [Contact Us](#) section for any non-product compliance questions.

**Search Parts in this Series**

67643Series

**Mates With**

USB Type A Plug

**Solder Process Data**

Lead-free Process Capability  
Process Temperature max. C

SMC & Wave Capable (TH only)  
260

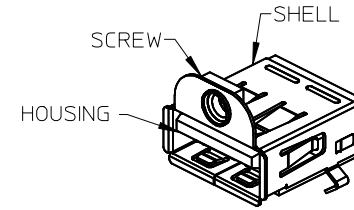
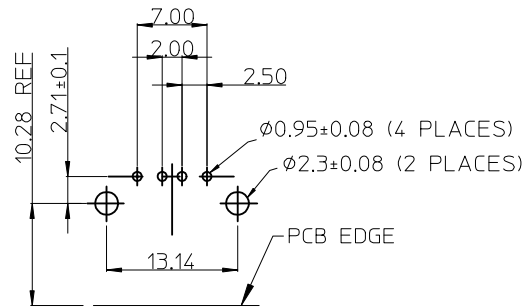
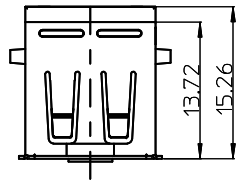
**Material Info****Reference - Drawing Numbers**

Product Specification  
Sales Drawing

PS-67643-003  
SD-67643-004

This document was generated on 04/01/2010

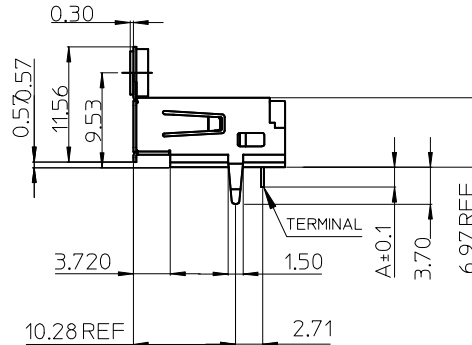
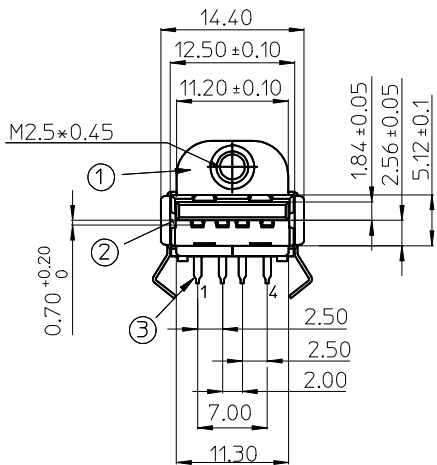
**PLEASE CHECK [WWW.MOLEX.COM](http://WWW.MOLEX.COM) FOR LATEST PART INFORMATION**



NOTES:

1. MATERIAL:
  - ① METAL SHELL: COPPER ALLOY. SCREW: BRASS
  - ② HOUSING: SEE CHART, 30% GLASS FIBER FILLES, UL94-V0.
  - ③ TERMINAL: PHOSPHOR BRONZE
2. PLATING:
  - TERMINAL:
    - CONTACT AREA: (a) GOLD FLASH.
    - (b) GOLD (Au), THICKNESS=30 MICROINCH MINIMUM.
  - SOLDER TAIL: TIN PLATED, THICKNESS=75 MICROINCH MINIMUM.
  - UNDER PLATED: NICKEL (Ni), THICKNESS=50 MICROINCH MINIMUM.
  - METAL SHELL: SEE CHART.
3. RECOMMENDED PCB THICKNESS: SEE CHART
4. PRODUCT SPECIFICATION: FOR IR REFER TO PS-67643-002  
FOR NON IR REFER TO PS-67643-003
5. TORQUE FORCE SPEC: 2.50kg-cm Min, MEASURED AT BROKEN POINT.
6. TEST SUMMARY: FOR IR REFER TO TS-67643-002  
FOR NON IR REFER TO TS-67643-003
7. PACKAGE: REFER TO PK-67643-002
8. LEAD FREE AND ROHS COMPLIANCE PRODUCT

PCB LAYOUT (BOTTOM VIEW)



REVISED EC NO: DRWN: YPWU CHKD: APPR:	2009/08/28 DESCRIPTION	QUALITY SYMBOLS	GENERAL TOLERANCES (UNLESS SPECIFIED)	DIMENSION STYLE	SCALE	DESIGN UNITS	THIRD ANGLE PROJECTION
		$\nabla = 0$ $\sphericalangle = 0$	mm      INCH 4 PLACES ± --- ± --- 3 PLACES ± --- ± --- 2 PLACES ± 0.25 ± --- 1 PLACE ± 0.25 ± --- ANGULAR ± 3 °	MM ONLY DRAWN BY: IVY-LIN      DATE: 2005/04/01 CHECKED BY: ALL IN      DATE: 2005/04/01 APPROVED BY: WWSCHANG      DATE: 2005/04/01	1:1	METRIC	TITLE: USB A TYPE RCPT SGL RA THRHOLE WITH UPPER FLG (LEAD-FREE VERSION) MOLEX INCORPORATED
		DRAFT WHERE APPLICABLE MUST REMAIN WITHIN DIMENSIONS	SEE SHEET 2	MATERIAL NO.      DOCUMENT NO. SD-67643-004 SHEET NO. 1 OF 2			
		THIS DRAWING CONTAINS INFORMATION THAT IS PROPRIETARY TO MOLEX INCORPORATED AND SHOULD NOT BE USED WITHOUT WRITTEN PERMISSION					

7 6 5 4 3 2 1

P/N	HOUSING MATERIAL	COLOR	CONTACT PLATING	METAL SHELL PLATING	REMARK
67643-0990	POLYESTER	BLACK	GOLD FLSAH	IR REFLOW PROCESS MATTE TIN PLATED AT SOLDER AREA THICKNESS=100 MICROINCH MINIMUM UNDER PLATE:NICKEL (Ni),(SOLDERING AVAILABLE)	NON IR
67643-1990	POLYESTER	WHITE			REFLOW PROCESS
67643-2990	HIGH TEMPERATURE NYLON	BLACK			FOR IR
67643-3990	HIGH TEMPERATURE NYLON	WHITE			REFLOW PROCESS
67643-0991	POLYESTER	BLACK	GOLD PLATING 30 MICROINCH	NON IR REFLOW PROCESS: MATTE TIN PLATED. THICKNESS=80 MICROINCH MINIMUM UNDER PLATE:NICKEL (Ni).	NON IR
67643-1991	POLYESTER	WHITE			REFLOW PROCESS
67643-2991	HIGH TEMPERATURE NYLON	BLACK			FOR IR
67643-3991	HIGH TEMPERATURE NYLON	WHITE			REFLOW PROCESS
PCB THICKNESS		1.60±0.05			
DIMENSION "A"		2.60			

P/N	HOUSING MATERIAL	COLOR	CONTACT PLATING	METAL SHELL PLATING	REMARK
67643-0980	HIGH TEMPERATURE NYLON	BLACK	GOLD FLSAH	IR REFLOW PROCESS MATTE TIN PLATED AT SOLDER AREA THICKNESS=100 MICROINCH MINIMUM UNDER PLATE:NICKEL (Ni),(SOLDERING AVAILABLE)	FOR IR
67643-1980	HIGH TEMPERATURE NYLON	WHITE			
67643-0981	HIGH TEMPERATURE NYLON	BLACK	GOLD PLATING 30 MICROINCH		
67643-1981	HIGH TEMPERATURE NYLON	WHITE			
PCB THICKNESS		1.20±0.05			
DIMENSION "A"		2.00			

REVISED ECT NO: D DRWN: YPWU CHKD: APPR:	2009/08/28 DESCRIPTION REV	QUALITY SYMBOLS	GENERAL TOLERANCES (UNLESS SPECIFIED)	DIMENSION STYLE MM ONLY	SCALE 1:1	DESIGN UNITS METRIC	THIRD ANGLE PROJECTION
		▽=0 ◻=0	mm      INCH 4 PLACES ± --- ± --- 3 PLACES ± --- ± --- 2 PLACES ± 0.25 ± --- 1 PLACE ± 0.25 ± --- ANGULAR ± 3 °	DRAWN BY      DATE IVY-LIN      2005/04/01 CHECKED BY      DATE ALL IN      2005/04/01 APPROVED BY      DATE WWSCHANG      2005/04/01	TITLE USB A TYPE RCPT SGL RA THRHOLE WITH UPPER FLG (LEAD-FREE VERSION)		
		DRAFT WHERE APPLICABLE MUST REMAIN WITHIN DIMENSIONS		MATERIAL NO. SEE TABLE	MOLEX INCORPORATED DOCUMENT NO. SD-67643-004		
				SIZE A4	SHEET NO. 2 OF 2		
				THIS DRAWING CONTAINS INFORMATION THAT IS PROPRIETARY TO MOLEX INCORPORATED AND SHOULD NOT BE USED WITHOUT WRITTEN PERMISSION			

6 5 4 3 2 1