

PLEASE CHECK WWW.MOLEX.COM FOR LATEST PART INFORMATION

Part Number: [0878345095](#)
Status: **Active**
Overview: [cgrid_sl_products](#)
Description: 2.54mm (.100") Pitch C-Grid® Header, Dual Row, Low Profile, Vertical, Shrouded, without PCB Locator, without End Window, 0.05µm (2µ) Gold (Au) Plating, Nylon Housing, 50 Circuits, Lead-free

Documents:

[3D Model](#) [Product Specification PS-70246-100 \(PDF\)](#)
[Drawing \(PDF\)](#) [RoHS Certificate of Compliance \(PDF\)](#)

General

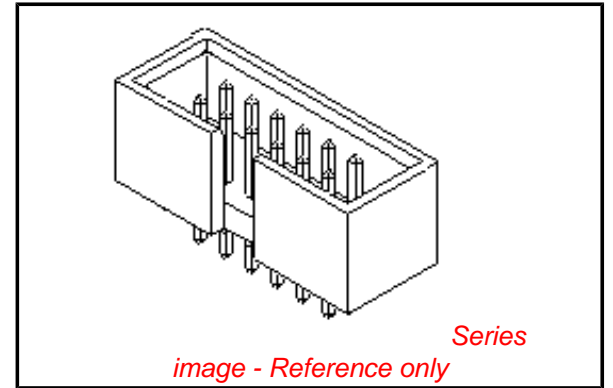
Product Family	PCB Headers
Series	87834
Application	Wire-to-Board
Overview	cgrid_sl_products
Product Name	C-Grid®

Physical

Breakaway	No
Circuits (Loaded)	50
Circuits (maximum)	50
Color - Resin	Natural
First Mate / Last Break	No
Glow-Wire Compliant	No
Guide to Mating Part	No
Keying to Mating Part	None
Lock to Mating Part	None
Material - Plating Mating	Gold
Material - Plating Termination	Tin
Material - Resin	Nylon
Number of Rows	2
Orientation	Vertical
PC Tail Length (in)	0.135 In
PC Tail Length (mm)	3.43 mm
PCB Locator	No
PCB Retention	None
Packaging Type	Tray
Pitch - Mating Interface (in)	0.100 In
Pitch - Mating Interface (mm)	2.54 mm
Pitch - Term. Interface (in)	0.100 In
Pitch - Term. Interface (mm)	2.54 mm
Plating min: Mating (µin)	2
Plating min: Mating (µm)	0.05
Plating min: Termination (µin)	75.2
Plating min: Termination (µm)	1.88
Polarized to Mating Part	Center Slot
Polarized to PCB	Yes
Shrouded	Fully
Stackable	No
Temperature Range - Operating	-55°C to +120°C
Termination Interface: Style	Through Hole

Electrical

Current - Maximum per Contact	2.5A
Voltage - Maximum	250V DC



EU RoHS

ELV and RoHS Compliant
REACH SVHC Contains SVHC: No
Halogen-Free Status
Not Halogen-Free

China RoHS



Need more information on product environmental compliance?

Email productcompliance@molex.com
 For a multiple part number RoHS Certificate of Compliance, [click here](#)

Please visit the [Contact Us](#) section for any non-product compliance questions.

Search Parts in this Series

87834Series

Mates With

.050" pitch ribbon cable connectors

Material Info

Reference - Drawing Numbers

Packaging Specification
Product Specification
Sales Drawing

PK-87835-001
PS-70246-100
SD-87834-026

This document was generated on 05/25/2010

PLEASE CHECK WWW.MOLEX.COM FOR LATEST PART INFORMATION

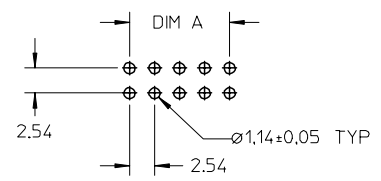
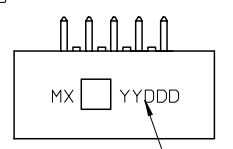
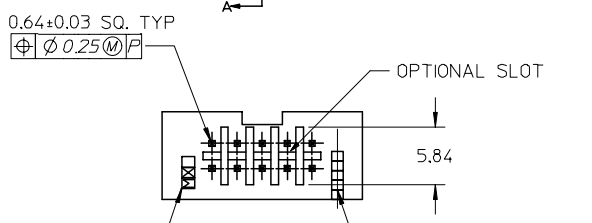
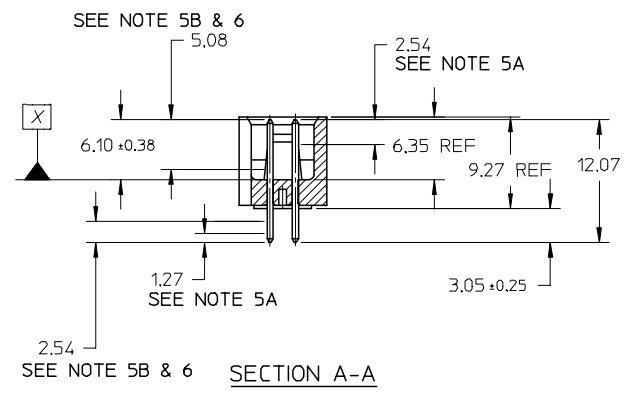
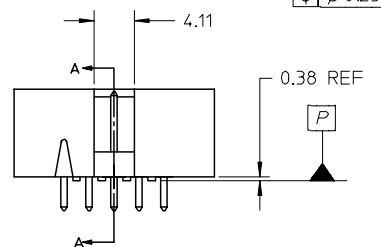
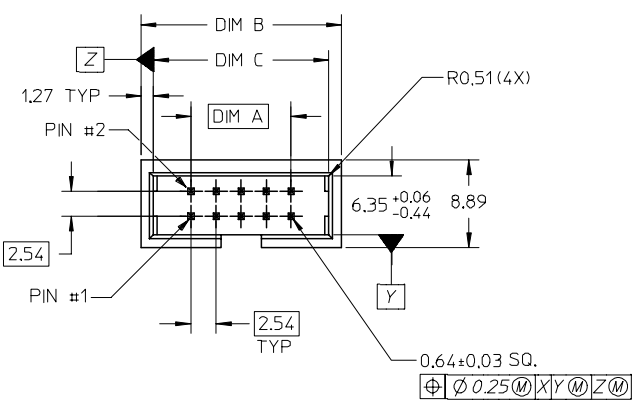
ASSEMBLY P/N	CKT SIZE	DIM A	DIM B	DIM C
87834-0495	04	2.54	12.70	10.16
87834-0695	06	5.08	15.24	12.70
87834-0895	08	7.62	17.78	15.24
87834-1095	10	10.16	20.32	17.78
87834-1295	12	12.70	22.86	20.32
87834-1495	14	15.24	25.40	22.86
87834-1695	16	17.78	27.94	25.40
87834-2095	20	22.86	33.02	30.48
87834-2495	24	27.94	38.10	35.56
87834-2695	26	30.48	40.64	38.10
87834-3095	30	35.56	45.72	43.18
87834-3495	34	40.64	50.80	48.26
87834-4095	40	48.26	58.42	55.88
87834-4495	44	53.34	63.50	60.96
87834-5095	50	60.96	71.12	68.58
87834-5695	56	68.58	78.74	76.20
87834-6095	60	73.66	83.82	81.28

PART NUMBER LEGEND

87834 - * * * 9 5
 CKT SIZES

NOTES :

- MATERIAL:
HOUSING: NYLON (PA), UL94V-0, COLOR: NATURAL.
PIN : COPPER ALLOY
- PIN PUSHOUT FORCE 0.91 KG MIN.
- PRODUCT SPECIFICATION PS-70246-100 APPLIES.
- WAFER TO BE FLAT WITHIN 0.03MM/CM
- DIMENSIONS FOR PLATING LOCATIONS :
A - MEASURE POINT FOR THICKNESS,
B - MINIMUM COVERAGE.
- GOLD END OF PIN UNLESS OVERALL PLATED.
- FINISH :
0.05um TO 0.25um GOLD OVER 0.38um MIN PD/NI
IN SELECTED AREA AND 1.90um MIN. TIN IN SELECTED
AREA OVER 1.27um MIN. NICKEL OVERALL.
- FOR ILLUSTRATION PURPOSE A 10 CKT IS SHOWN.
- OPTIONAL LOCATION FOR MANUFACTURER/YEAR/DAY MARKING
IF REQUIRED BY CUSTOMER



HSG LASER MARKING EC NO: S2005-0536 DRAWN: LQIAO 2005/01/26 CHKD: PTLIM 2005/01/26 APPR: SCLLOW 2005/01/27	QUALITY SYMBOLS	GENERAL TOLERANCES (UNLESS SPECIFIED)	DIMENSION STYLE		SCALE	DESIGN UNITS	THIRD ANGLE PROJECTION		
			MM ONLY		NTS	METRIC			
			4 PLACES	± ---	± ---	DRAWN BY		DATE	TITLE C-GRID, SHROUDED WAFER SLOTTED, W/O END WINDOWS & POLARIZATION PEGS
			3 PLACES	± ---	± ---	RSHAN		2003/11/21	
2 PLACES	± 0.25	± ---	CHECKED BY	DATE					
1 PLACE	± ---	± ---	KCL ING	2003/12/05	APPROVED BY	DATE	MOLEX INCORPORATED		
ANGULAR ± 3 °		SKTOH	2003/12/06						
REV	DESCRIPTION	DRAFT WHERE APPLICABLE MUST REMAIN WITHIN DIMENSIONS	SIZE	SEE TABLE	MATERIAL NO.	DOCUMENT NO.	SHEET NO.		
A2			A3			SD-87834-026	1 OF 1		