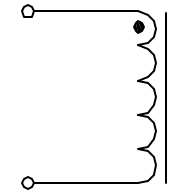


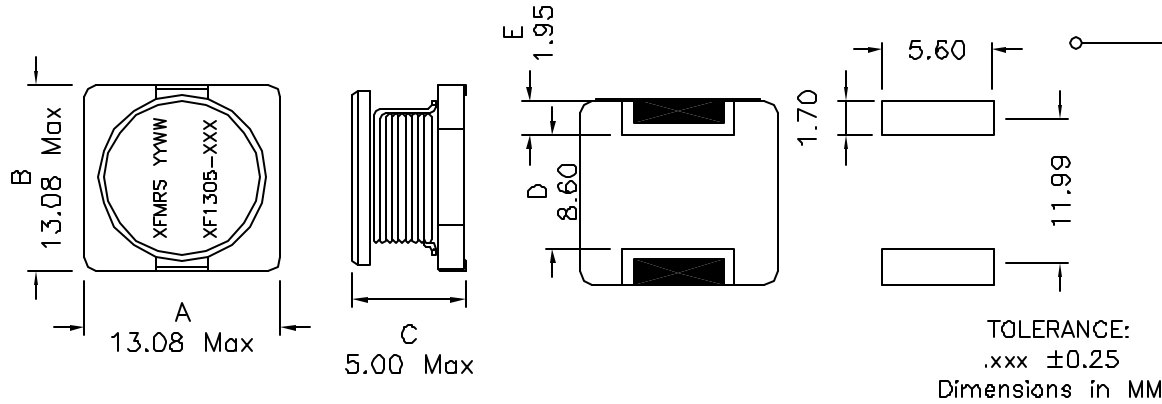
## XF1305-XXX INDUCTOR SERIES

- \* Tape & Reel Packaging Standard, 500 Pcs per 13" Reel
- \* High Inductance, High Power Ratings For Your Laptop, Palmtop, Point of Power Application
- \* Custom Versions Available At No Extra Charge
- \* Industrial Operating Temp: -40 to +130°C
- \* Flammability Rating: UL94V-0

**Schematic:**



### Mechanical Dimensions:



Part Number	INDUCTANCE <sup>1</sup> ( $\mu\text{H} \pm 20\%$ )	DCR (Max) mOhms	I <sub>pk</sub> <sup>2</sup> (A)	IRMS <sup>3</sup> (A)
XF1305-102	1.05	5.5	17.7	12.2
XF1305-192	1.9	7.5	12.9	9.6
XF1305-282	2.8	9.8	10.5	8.1
XF1305-342	3.4	9.6	9.1	7.6
XF1305-462	4.6	15.5	7.8	6.5
XF1305-682	6.8	22	6.6	5.1
XF1305-103	10.2	33	5.4	4.3
XF1305-153	15.2	44	4.4	3.6
XF1305-223	22	61	3.7	3.3
XF1305-323	32	90	2.9	2.5
XF1305-463	46	148	2.4	2.1
XF1305-653	65	166	2.0	1.8
XF1305-104	100	262	1.7	1.4
XF1305-154	152	410	1.3	1.2
XF1305-214	214	557	1.1	1.0
XF1305-324	320	880	0.9	0.9
XF1305-454	450	1230	0.8	0.7
XF1305-644	645	1660	0.6	0.6
XF1305-105	1030	2680	0.5	0.5

**NOTES:**

1. Inductance tested at 100 KHz, 0.1mVrms
2. Inductance drop=10% typical at I<sub>pk</sub>
3. Based on 40°C Temp Rise