

PLEASE CHECK WWW.MOLEX.COM FOR LATEST PART INFORMATION

Part Number: [0877601268](#)
Status: **Active**
Overview: milligrd
Description: 2.00mm (.079") Pitch Milli-Grid™ Header, Right Angle, 12 Circuits, 2.54µm (100µ") Tin (Sn) over Nickel Plating, Tray, Lead-free

Documents:

[3D Model](#)
[Drawing \(PDF\)](#)

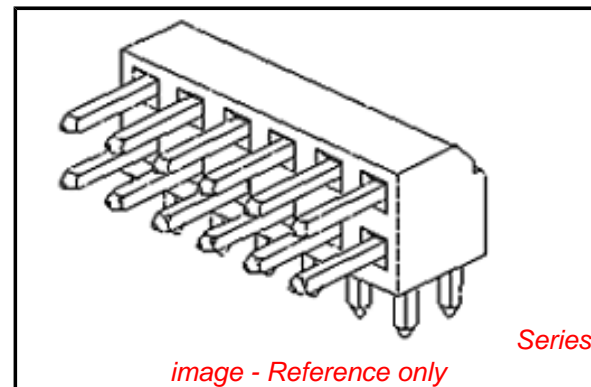
[RoHS Certificate of Compliance \(PDF\)](#)

General

Product Family	PCB Headers
Series	87760
Application	Board-to-Board, Wire-to-Board
Comments	Lead-free version of 87049 series
Overview	milligrd
Product Name	Milli-Grid™

Physical

Breakaway	No
Circuits (Loaded)	12
Circuits (maximum)	12
Color - Resin	Black
First Mate / Last Break	No
Glow-Wire Compliant	No
Guide to Mating Part	No
Keying to Mating Part	None
Lock to Mating Part	None
Material - Plating Mating	Tin
Material - Plating Termination	Nickel
Material - Resin	High Temperature Thermoplastic
Number of Rows	2
Orientation	Right Angle
PC Tail Length (in)	0.102 In
PC Tail Length (mm)	2.60 mm
PCB Locator	No
PCB Retention	None
PCB Thickness Recommended (in)	0.062 In
PCB Thickness Recommended (mm)	1.60 mm
Packaging Type	Tray
Pitch - Mating Interface (in)	0.079 In
Pitch - Mating Interface (mm)	2.00 mm
Pitch - Term. Interface (in)	0.079 In
Pitch - Term. Interface (mm)	2.00 mm
Plating min: Mating (µin)	101.6
Plating min: Mating (µm)	2.54
Plating min: Termination (µin)	50
Plating min: Termination (µm)	1.27
Polarized to Mating Part	No
Polarized to PCB	No
Shrouded	No
Stackable	Yes
Surface Mount Compatible (SMC)	Yes
Temperature Range - Operating	-55°C to +105°C
Termination Interface: Style	Through Hole



EU RoHS

ELV and RoHS Compliant
REACH SVHC
 Not Reviewed
Halogen-Free Status

China RoHS



Not Halogen-Free

Need more information on product environmental compliance?

Email productcompliance@molex.com
 For a multiple part number RoHS Certificate of Compliance, [click here](#)

Please visit the [Contact Us](#) section for any non-product compliance questions.

Search Parts in this Series

[87760Series](#)

Mates With

Milli-Grid™ Crimp Terminal [50394](#). Milli-Grid™ Crimp Housing [51110](#). Milli-Grid™ Flex-to-Board Vertical Receptacle [79108](#). Milli-Grid™ SMT Vertical Receptacle [79109](#). Milli-Grid™ Vertical Receptacles [79107](#).

Electrical

Current - Maximum per Contact	2A
Voltage - Maximum	125V

Solder Process Data

Duration at Max. Process Temperature (seconds)	14
Lead-free Process Capability	Wave Capable (TH only)
Max. Cycles at Max. Process Temperature	1
Process Temperature max. C	265

Material Info**Reference - Drawing Numbers**

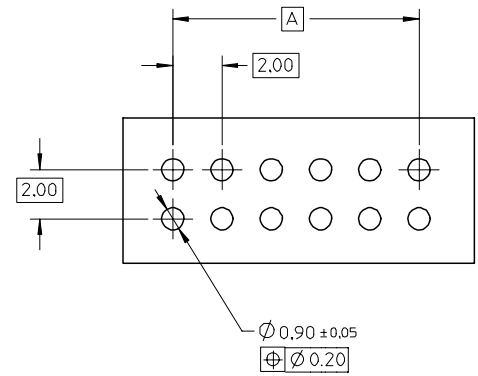
Sales Drawing	SD-87760-068
---------------	--------------

This document was generated on 05/26/2010

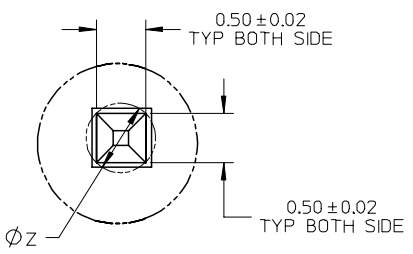
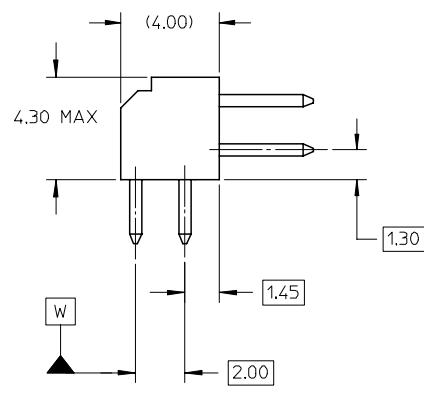
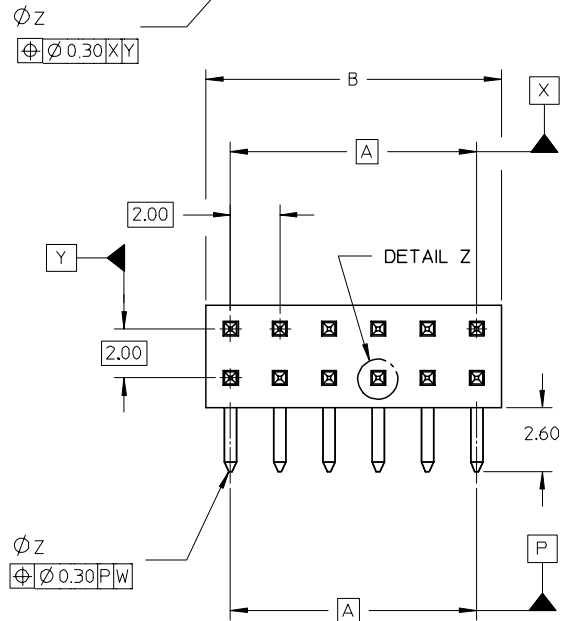
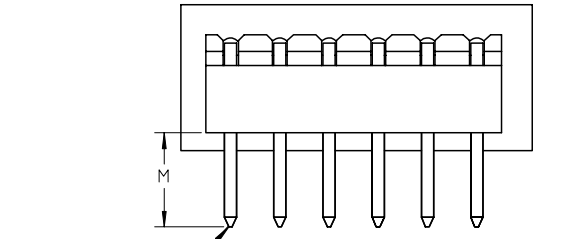
PLEASE CHECK WWW.MOLEX.COM FOR LATEST PART INFORMATION

10 9 8 7 6 5 4 3 2 1

PART NUMBER	CKT SIZE	A	B	M
87760-1268	12	10.00	12.00	3.81
87760-2068	20	18.00	20.00	



RECOMMENDED PCB LAYOUT



DETAIL Z

- NOTES:
- MATERIAL:
HSG: PCT, 30% GLASS FILLED, UL 94V-0, COLOUR BLACK.
PIN: 0.50MM SQ PHOSPHOR BRONZE 510
 - PLATING: 2.54um MIN TIN OVER
1.27um MIN NICKEL OVERALL
 - 12 CKT USED FOR ILLUSTRATION ONLY
 - PART TO BE PACKED IN POCKET TRAY.
 - PRODUCT SPEC PS-87761-100 APPLIES.
 - RECOMMENDED PCB BOARD THK 1.60±0.10 MM.

- LEGEND:
- 87760-***68
 - CKT SIZE
 - PLATING OPTION Δ
 - M - MATING LENGTH

PDR#S-001502-00-00 EC NO: S2007-0674 DRWN:SKANG CHKD:GMENARLY APPR:MLONG	2007/02/01 2007/02/01 2007/02/02	QUALITY SYMBOLS	GENERAL TOLERANCES (UNLESS SPECIFIED)	DIMENSION STYLE	SCALE	DESIGN UNITS	THIRD ANGLE PROJECTION															
		$\nabla=0$ $\sphericalangle=0$	<table border="1"> <thead> <tr> <th></th> <th>mm</th> <th>INCH</th> </tr> </thead> <tbody> <tr> <td>4 PLACES</td> <td>± ---</td> <td>± ---</td> </tr> <tr> <td>3 PLACES</td> <td>± ---</td> <td>± ---</td> </tr> <tr> <td>2 PLACES</td> <td>± 0.2</td> <td>± ---</td> </tr> <tr> <td>1 PLACE</td> <td>± ---</td> <td>± ---</td> </tr> </tbody> </table>		mm	INCH	4 PLACES	± ---	± ---	3 PLACES	± ---	± ---	2 PLACES	± 0.2	± ---	1 PLACE	± ---	± ---	MM ONLY	NTS	METRIC	\triangle
			mm	INCH																		
		4 PLACES	± ---	± ---																		
3 PLACES	± ---	± ---																				
2 PLACES	± 0.2	± ---																				
1 PLACE	± ---	± ---																				
DRAFT WHERE APPLICABLE MUST REMAIN WITHIN DIMENSIONS	<table border="1"> <thead> <tr> <th>DRAWN BY</th> <th>DATE</th> <th>TITLE</th> </tr> </thead> <tbody> <tr> <td>SKANG</td> <td>2007/01/25</td> <td>MGRID, 2MM DUAL ROW HDR. R/A</td> </tr> <tr> <td>CHECKED BY</td> <td>DATE</td> <td></td> </tr> <tr> <td>GMENARLY</td> <td>2007/02/01</td> <td></td> </tr> <tr> <td>APPROVED BY</td> <td>DATE</td> <td></td> </tr> <tr> <td>MLONG</td> <td>2007/02/01</td> <td></td> </tr> </tbody> </table>	DRAWN BY	DATE	TITLE	SKANG	2007/01/25	MGRID, 2MM DUAL ROW HDR. R/A	CHECKED BY	DATE		GMENARLY	2007/02/01		APPROVED BY	DATE		MLONG	2007/02/01		MOLEX INCORPORATED MOLEX		
DRAWN BY	DATE	TITLE																				
SKANG	2007/01/25	MGRID, 2MM DUAL ROW HDR. R/A																				
CHECKED BY	DATE																					
GMENARLY	2007/02/01																					
APPROVED BY	DATE																					
MLONG	2007/02/01																					
REV	DESCRIPTION	MATERIAL NO.	DOCUMENT NO.	SHEET NO.																		
A		SEE TABLE	SD-87760-068	1 OF 1																		

9 8 7 6 5 4 3 2 1