

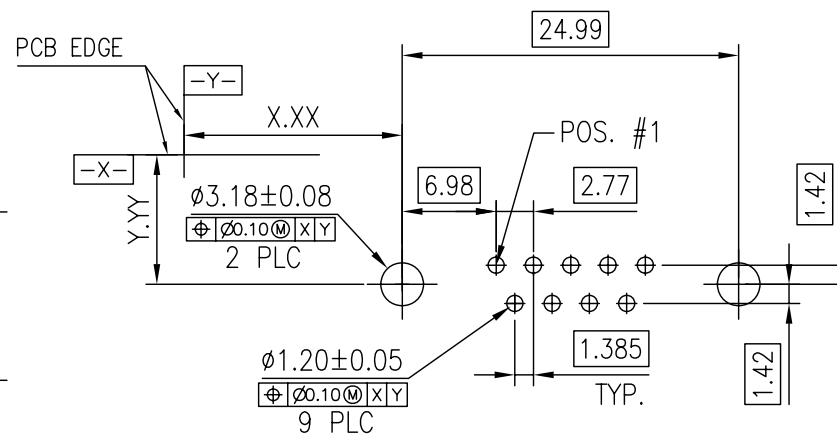
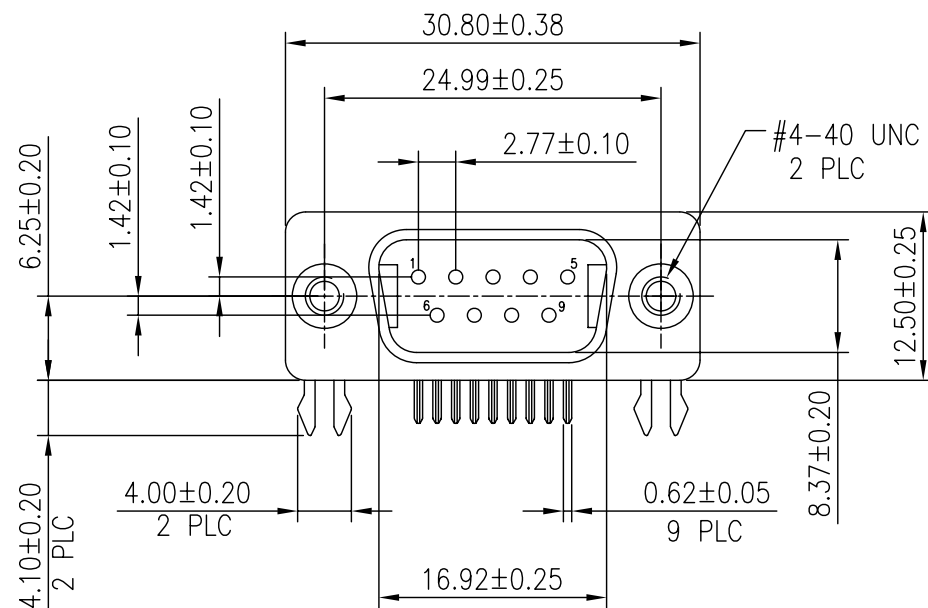
THIS DRAWING IS UNPUBLISHED. RELEASED FOR PUBLICATION AUG ,2006.

© COPYRIGHT BY TYCO ELECTRONICS CORPORATION. ALL RIGHTS RESERVED.

LOC DW DIST

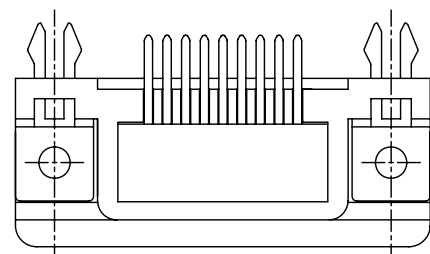
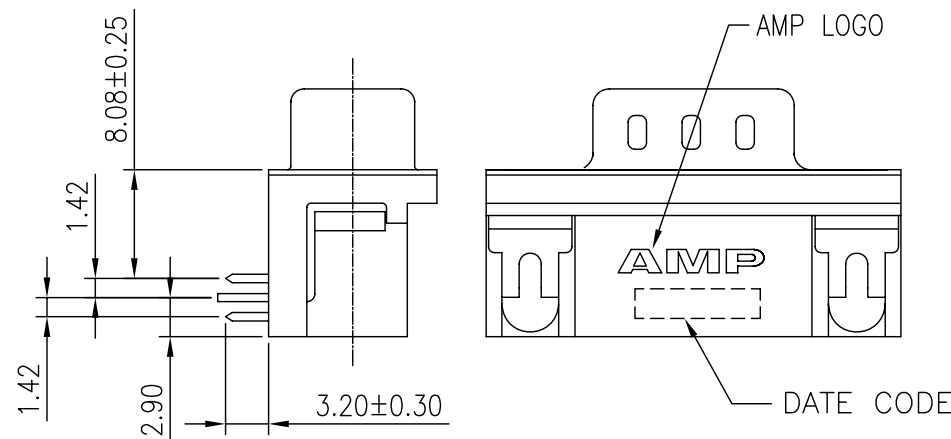
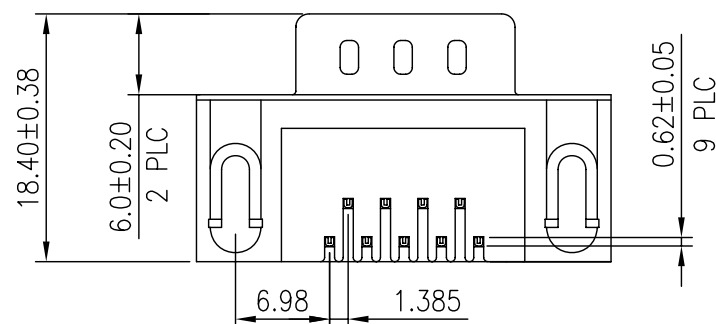
REVISIONS

P	LTR	DESCRIPTION	DATE	DWN	APVD
A		REVISED (ECR-08-024310)	14NOV08	B.W	S.C



NOTES:

- MATERIAL :
 - HOUSING: THERMOPLASTIC, UL 94V-0 RATED, BLACK
 - CONTACTS: BRASS
 - SHELL: SPCC
 - BOARDLOCKS: BRASS.
 - RIVET: COPPER ALLOY
- FINISH:
 - CONTACT: GOLD PLATING ON CONTACT AREA. (SEE TABLE) 100u" MIN. MATTE TIN PLATING ON SOLDER TAIL AREA, 50u" MIN. NICKEL UNDERPLATING OVERALL,
 - BOARDLOCK: 100u" MIN MATTE TIN PLATING 50u" MIN NICKEL UNDERPLATING OVERALL,
 - SHELL: NICKEL PLATED
 - RIVET: NICKEL PLATING OVERALL
- RECOMMENDED PCB THICKNESS: 1.6 MM
- WAVE SOLDER CAPABLE TO 265°C PER TE SPEC. 109-202, CONDITION B.
- NET WEIGHT: 7.03 gram/pc
- DATE CODE: YYWW
- THE SCREW TORQUE FORCE APPLIED: 7.0 kgf-cm MIN. (OR 6.0 lb-in MIN.)



OBSELETE	TUBE	10u"	1734352-4
	TRAY	10u"	1734352-3
	TRAY	15u"	1734352-2
	TRAY	GOLD FLASH	1734352-1
	PACKAGING	CONTACT FINISH MIN.	PART NO.

THIS DRAWING IS A CONTROLLED DOCUMENT.		DWN J. LEE 24OCT2005	Tyco Electronics Corporation Taipei, Taiwan											
DIMENSIONS: MM		CHK S. HOU 24OCT2005	NAME PLUG ASSEMBLY, 9 POSN, RIGHT ANGLE, 8.08mm[0.318in]											
TOLERANCES UNLESS OTHERWISE SPECIFIED:		APVD W.J. KE 24OCT2005												
<table border="0"> <tr><td>0 PLC</td><td>± 0.5</td></tr> <tr><td>1 PLC</td><td>± 0.3</td></tr> <tr><td>2 PLC</td><td>± 0.2</td></tr> <tr><td>3 PLC</td><td>± 0.15</td></tr> <tr><td>4 PLC</td><td>± -</td></tr> <tr><td>ANGLES</td><td>± 3'</td></tr> </table>		0 PLC			± 0.5	1 PLC	± 0.3	2 PLC	± 0.2	3 PLC	± 0.15	4 PLC	± -	ANGLES
0 PLC	± 0.5													
1 PLC	± 0.3													
2 PLC	± 0.2													
3 PLC	± 0.15													
4 PLC	± -													
ANGLES	± 3'													
MATERIAL SEE NOTE		FINISH SEE NOTE	QUALIFICATION TEST REPORT 501-57623	RESTRICTED TO										
		WEIGHT SEE NOTE	SIZE A3	CAGE CODE 00779										
		CUSTOMER DRAWING	DRAWING NO. 1734352	SCALE -										
			SHEET 1 OF 3	REV A										

4

3

2

1

THIS DRAWING IS UNPUBLISHED.

RELEASED FOR PUBLICATION

AUG ,2006.



COPYRIGHT - BY TYCO ELECTRONICS CORPORATION.

ALL RIGHTS RESERVED.

LOC

DIST

REVISIONS

DW

P

LTR

DESCRIPTION

DATE

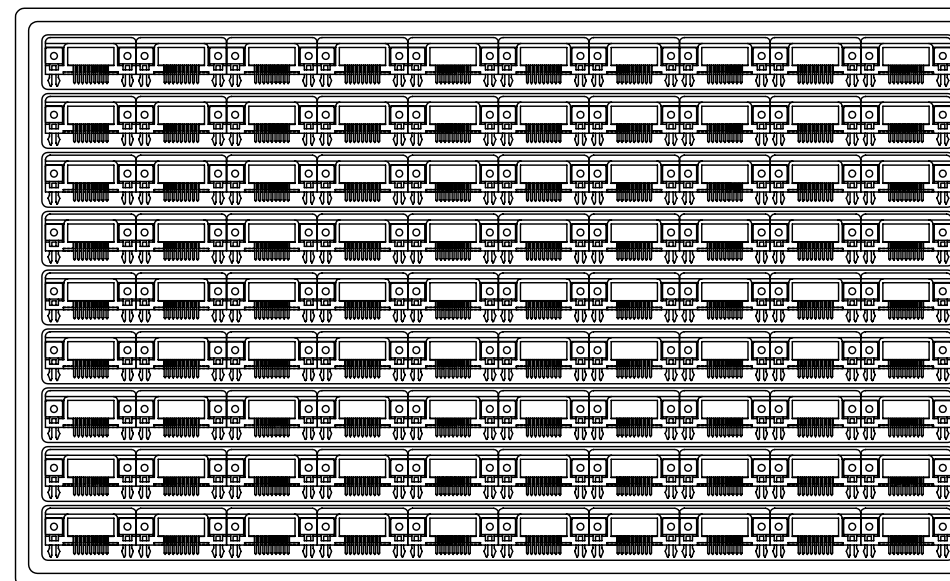
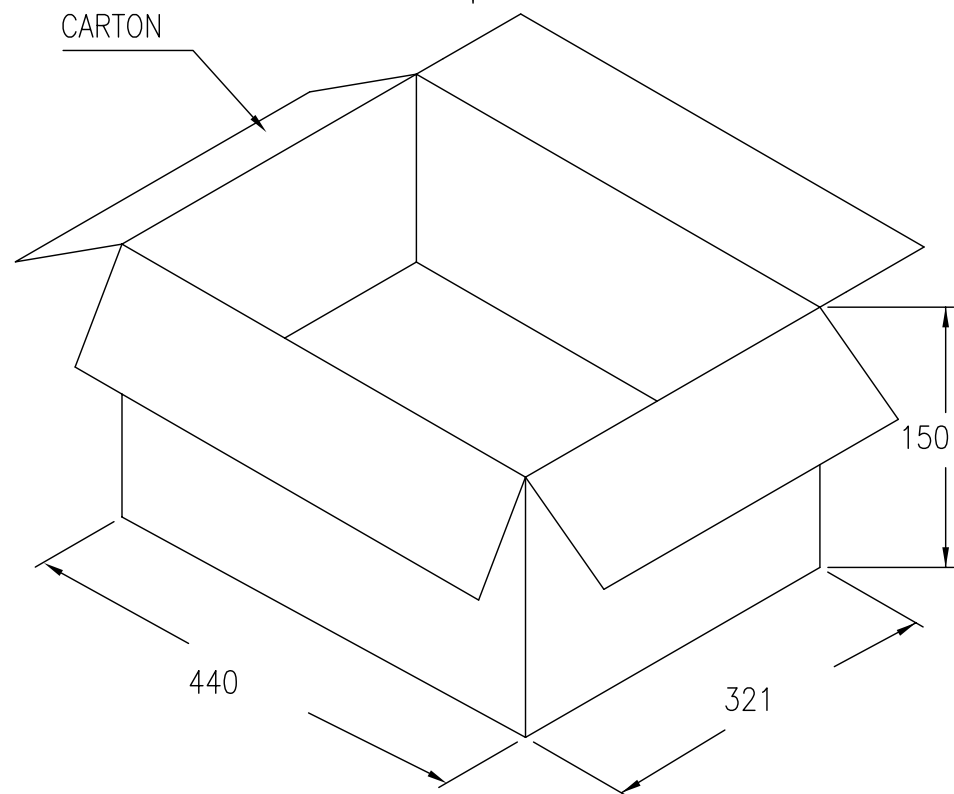
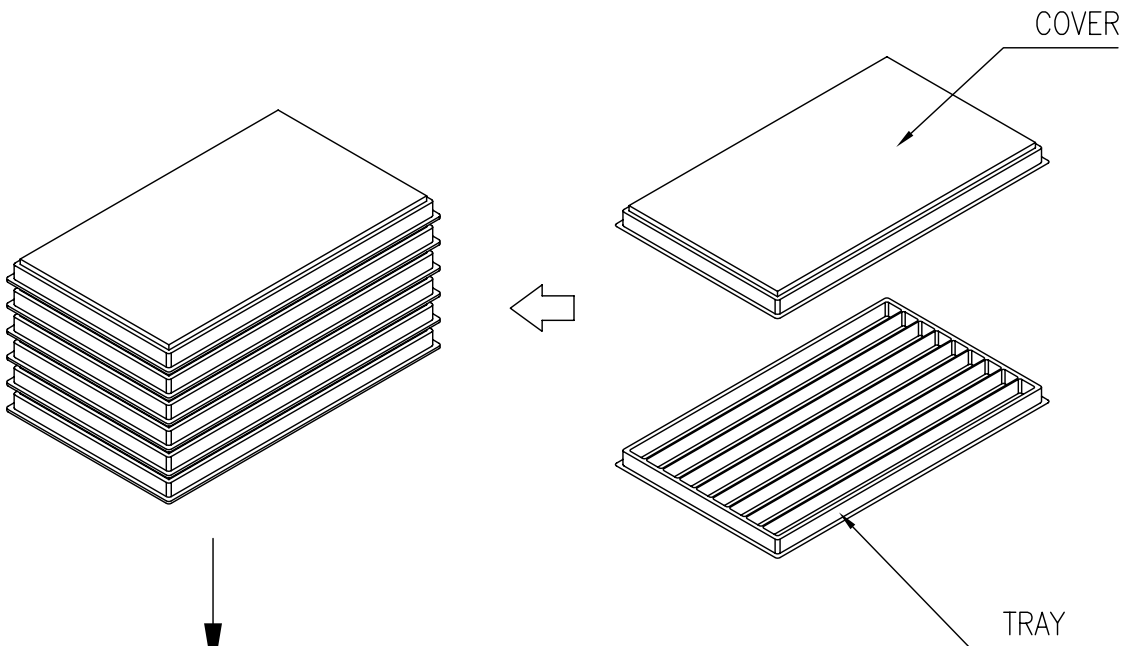
DWN

APVD

SEE SHEET 1.

NOTES:

- 1. MATERIAL:
 - 1.1 TRAY: PVC
 - 1.2 SHIPPING CARTON: CORRUGATED FIBERBOARD
- 2. DIMENSION:
 - 2.1 TRAY: L=340, W=228, H=17.4
 - 2.2 SHIPPING CARTON: L=440, W=321, H=150
- 3. QUANTITY:
 - 3.1 PRIMARY PACKING: 90 PCS/TRAY
 - 3.2 SECONDARY PACKING: 11 TRAY/CARTON (990PCS)
- 4. CARTON WEIGHT:
 - 4.1 NET WEIGHT: 6.96 KG
 - 4.2 GROSS WEIGHT: 7.96 KG



THIS DRAWING IS A CONTROLLED DOCUMENT.		DWN		Tyco Electronics Corporation Taipei, Taiwan	
DIMENSIONS: MM		CHK		NAME	
TOLERANCES UNLESS OTHERWISE SPECIFIED:		APVD		PLUG ASSEMBLY, 9 POSN, RIGHT ANGLE, 8.08mm[0.318in]	
0 PLC ± -		PRODUCT SPEC		SIZE	
1 PLC ± -		APPLICATION SPEC		CAGE CODE	
2 PLC ± -		WEIGHT		DRAWING NO	
3 PLC ± -		CUSTOMER DRAWING		RESTRICTED TO	
4 PLC ± -		SCALE		A3 00779 C=1734352	
ANGLES ± -		SHEET		REV	
MATERIAL		FINISH		2 of 3	
				A	

THIS DRAWING IS UNPUBLISHED.

RELEASED FOR PUBLICATION

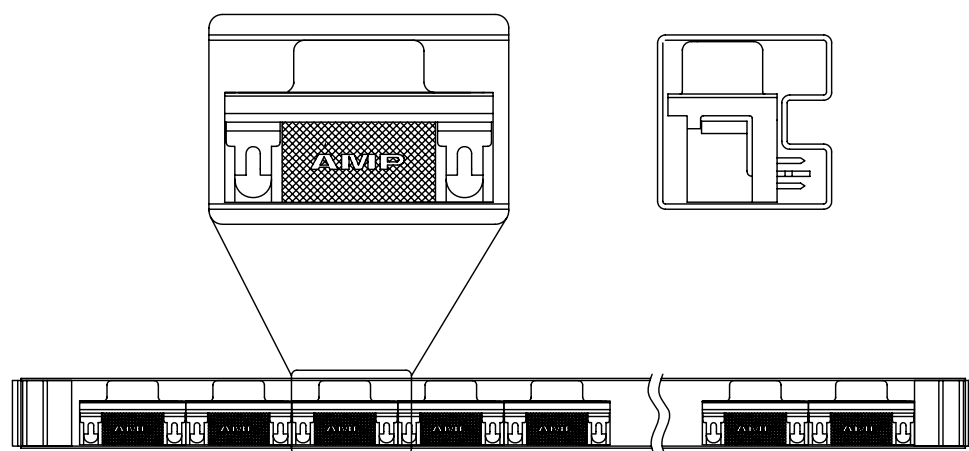
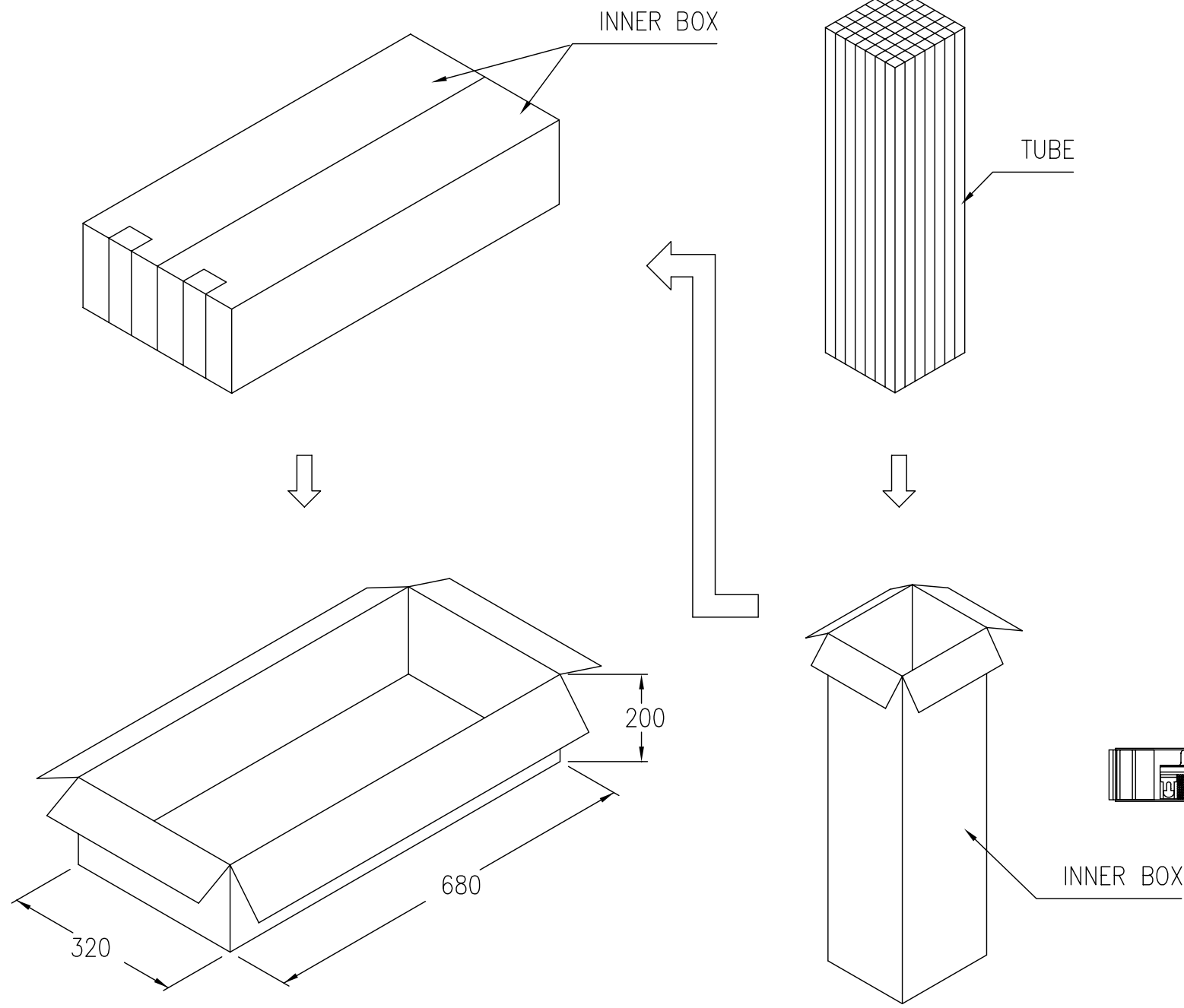
AUG ,2006.

© COPYRIGHT BY TYCO ELECTRONICS CORPORATION. ALL RIGHTS RESERVED.

LOC	DIST	REVISIONS			
P	LTR	DESCRIPTION	DATE	DWN	APVD
		SEE SHEET 1.			

NOTES:

- 1. MATERIAL:
 - 1.1 TUBE: PVC
 - 1.2 SHIPPING CARTON: CORRUGATED FIBERBOARD
- 2. DIMENSION:
 - 2.1 TUBE: L=650, W=18.8, H=18.6
 - 2.2 SHIPPING CARTON: L=680, W=320, H=200
- 3. QUANTITY:
 - 3.1 PRIMARY PACKING: 20 PCS/TUBE
 - 3.2 SECONDARY PACKING: 50 TUBE/BOX
 - 3.3 THIRD PACKING: 2 BOX/CARTON (2,000PCS)
- 4. CARTON WEIGHT:
 - 4.1 NET WEIGHT: 17.0 KG
 - 4.2 GROSS WEIGHT: 18.0 KG



THIS DRAWING IS A CONTROLLED DOCUMENT.		DWN		Tyco Electronics Corporation Taipei, Taiwan													
DIMENSIONS: MM		TOLERANCES UNLESS OTHERWISE SPECIFIED:		NAME													
<table border="1"> <tr><td>0 PLC</td><td>± -</td></tr> <tr><td>1 PLC</td><td>± -</td></tr> <tr><td>2 PLC</td><td>± -</td></tr> <tr><td>3 PLC</td><td>± -</td></tr> <tr><td>4 PLC</td><td>± -</td></tr> <tr><td>ANGLES</td><td>± -</td></tr> </table>		0 PLC	± -	1 PLC	± -	2 PLC	± -	3 PLC	± -	4 PLC	± -	ANGLES	± -	APVD		PLUG ASSEMBLY, 9 POSN, RIGHT ANGLE, 8.08mm[0.318in]	
0 PLC	± -																
1 PLC	± -																
2 PLC	± -																
3 PLC	± -																
4 PLC	± -																
ANGLES	± -																
MATERIAL		FINISH		PRODUCT SPEC													
				APPLICATION SPEC													
				WEIGHT													
				CUSTOMER DRAWING													
				SIZE	RESTRICTED TO												
				A3 00779													
				C=1734352													
				SCALE	SHEET												
				-	3 of 3												
					REV												
					A												