



750-102 750-103 and 750-115 Connector to Connector Pre-Terminated Assemblies Series 72 & 74 Tubing & Series 75 Conduit

FOR CONNECTOR-TO-CONNECTOR APPLICATIONS CONNECTOR DESIGNATORS (A-B-D-E-F-G-H-J-K-L-S)

750 N A 102 M F20 1 A16 2-24-36

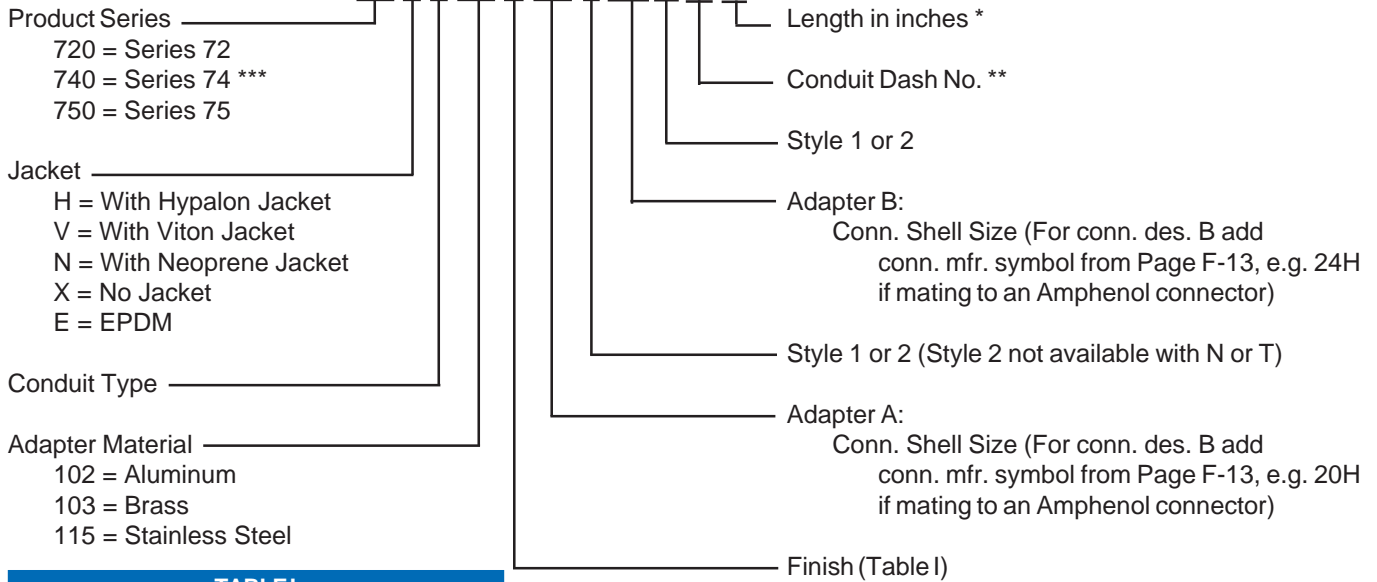
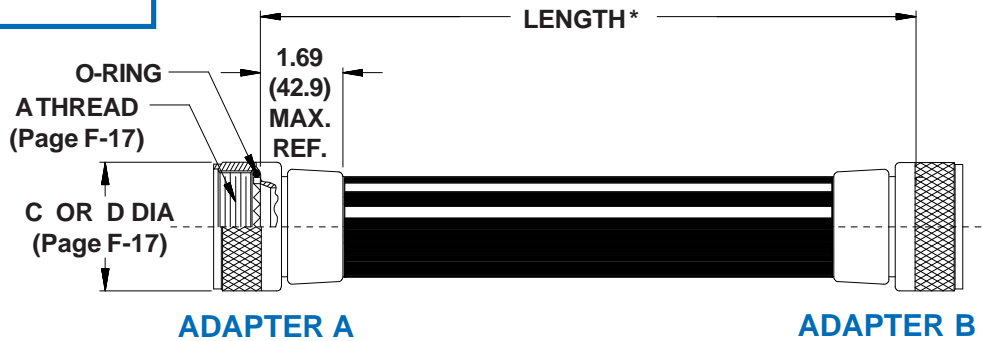


TABLE I

| SYMBOL | FINISH |
|--------|---|
| B | Olive Drab over Cadmium Plate |
| J | Gold Iridite over Cadmium Plate over Nickel |
| M | Electroless Nickel |
| N | Olive Drab over Cadmium Plate over Nickel |
| NC | Zinc-Cobalt, Olive Drab |
| NF | Olive Drab over Cadmium Plate over Electroless Nickel (500 Hour Salt Spray) |
| T | Bright Dip Cadmium Plate over Nickel |
| Z1 | Passivate |



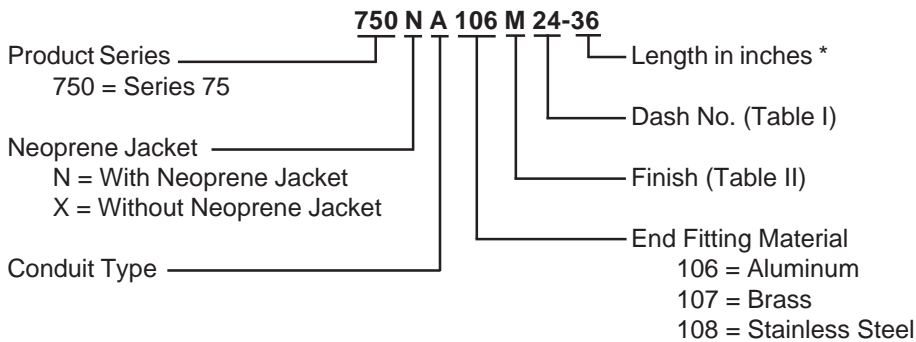
Metric dimensions (mm) are indicated in parentheses.

* Length tolerance is $\pm .250$ (12.7) for lengths up to 24 inches (619.6 mm). Length tolerance for longer lengths is \pm one percent (1%) of the length.

** Consult factory for fittings using 3.000" (76.2) conduit.

*** Pre-terminated assemblies using product Series 74 will be supplied with FEP material, standard wall thickness, standard convolutions, tin/copper braid, and neoprene jacket. For other options consult factory.

**750-102 750-103 and 750-115
Pre-Terminated Assemblies for
M28840/5, /25, /27 & /30 Adapters
Series 72 & 74 Tubing & Series 75 Conduit**



**USE WITH
ADAPTERS
M28840/5
M28840/25
M28840/27
M28840/30**

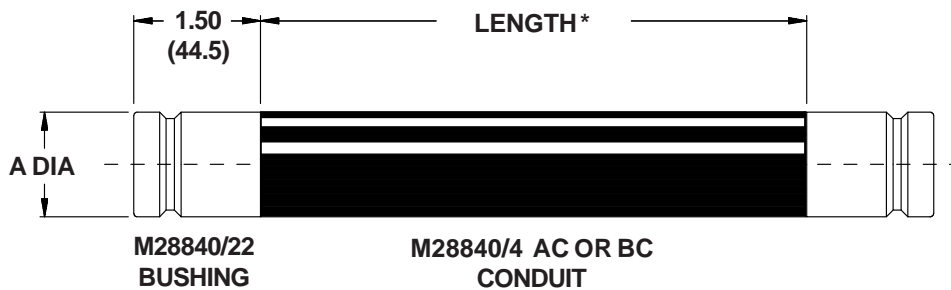


TABLE I

| DASH NO. | CONDUIT I.D. | MIL-C-28840/4 SIZE REF. | A DIA |
|----------|--------------|-------------------------|--------------|
| 12 | .375 (9.5) | 03 | .625 (15.9) |
| 16 | .500 (12.7) | 04 | .750 (19.1) |
| 20 | .625 (15.9) | 05 | .875 (22.2) |
| 24 | .750 (19.1) | 06 | 1.000 (25.4) |
| 32 | 1.000 (25.4) | 08 | 1.375 (34.9) |
| 40 | 1.250 (31.8) | 10 | 1.625 (41.3) |
| 48 | 1.500 (38.1) | 12 | 1.875 (47.6) |
| 64 | 2.000 (50.8) | 16 | 2.375 (60.3) |

TABLE II

| SYMBOL | FINISH |
|--------|---|
| B | Olive Drab over Cadmium Plate |
| J | Gold Iridite over Cadmium Plate over Nickel |
| M | Electroless Nickel |
| N | Olive Drab over Cadmium Plate over Nickel |
| NC | Zinc-Cobalt, Olive Drab |
| NF | Olive Drab over Cadmium Plate over Electroless Nickel (500 Hour Salt Spray) |
| T | Bright Dip Cadmium Plate over Nickel |
| Z1 | Passivate |

Metric dimensions (mm) are indicated in parentheses.

* Length tolerance is $\pm .250$ (12.7) for lengths up to 24 inches (619.6 mm). Length tolerance for longer lengths is \pm one percent (1%) of the length.