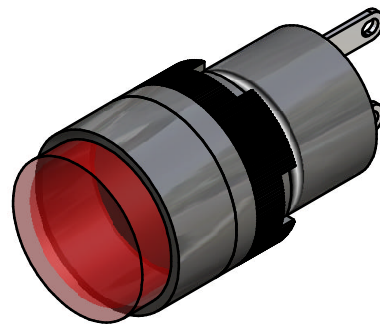
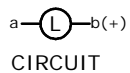
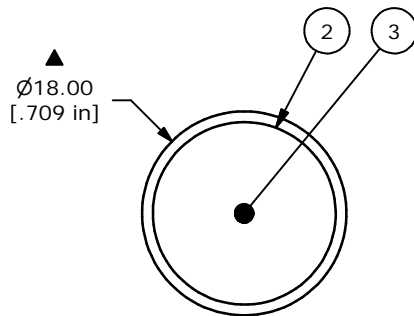


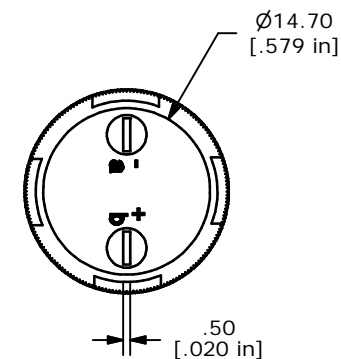
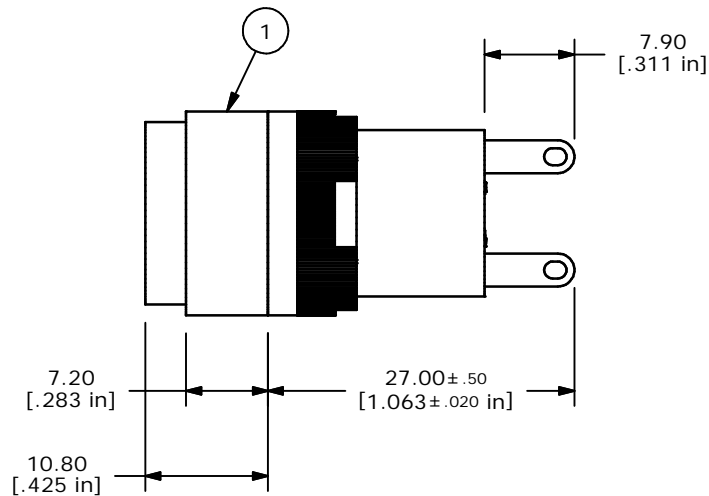
RECOMMENDED PANEL MOUNTING



| PARTS LIST | | | |
|------------|-----|-------------|-------------------------------------|
| ITEM | QTY | PART NUMBER | DESCRIPTION |
| 1 | 1 | F040003 | L16PL10 BODY |
| 2 | 1 | F050117 | 50-001-14 RED FLAT TRANSPARENT LENS |
| 3 | 1 | F050420 | 50-004-20 RED 12V LAMP |



CIRCUIT



- NOTE:
1. ALL DIMENSIONS IN MM [INCH]
 2. GENERAL TOLERANCE: X.X=±0.4
X.XX=±0.25
 3. TERMINAL NUMBERS FOR REF ONLY
 4. OPERATING TEMP: -25°C to +55°C
 5. STORAGE TEMP: -40°C TO +85°C
 - ▲ 6. LAMP VOLTAGE: 12VDC LED
 7. ▲ DENOTES CRITICAL PARAMETER.



| | | | | |
|-----|--------|-------------------------|---------|----|
| A | 14240 | RELEASED FOR PRODUCTION | 8/17/04 | AR |
| REV | PCR NO | DESCRIPTION | DATE | BY |

| | | | | |
|-----------------------|---------|----|---------|-----|
| TITLE L16PLR10JREDRED | | | | |
| SCALE | DATE | DR | DWG | REV |
| 1.5:1 | 8/17/04 | AR | XF0601P | A |

THE INFORMATION CONTAINED IN THIS DOCUMENT IS PROPRIETARY TO E-SWITCH AND IS NOT TO BE COPIED OR TRANSFERRED