

iC-TW4 PROGRAMMABLE INTERPOLATOR WITH AUTOMATIC OFFSET CORRECTION



Rev D1, Page 1/14

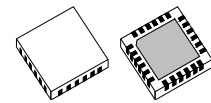
FEATURES

Realtime interpolation with selectable factors of x2, x4, x5, x8, x10, x16, x20, x25, x32, x50, x64
 Differential signal and index gating inputs
 Input voltage range of 10 mVpp diff. to 1.5 Vpp diff.
 Maximum input frequency of 300 kHz (to x8), 150 kHz (x10 to x16), 75 kHz (x20 and up)
 Selectable hysteresis of 2.8° to 15.6°
 Averaging filter over 16 samples
 Latency less than 1 μs
 Differential encoder quadrature outputs
 Electronic index signal generation
 Startup behaviour: ABZ state defined by absolute sensor position within a period
 Automatic offset correction for sensor and interpolator circuit
 Static pin programming with four external resistors
 Low power consumption from single-ended 3.3 V to 5 V supply
 Extended temperature range of -40 to +125 °C

APPLICATIONS

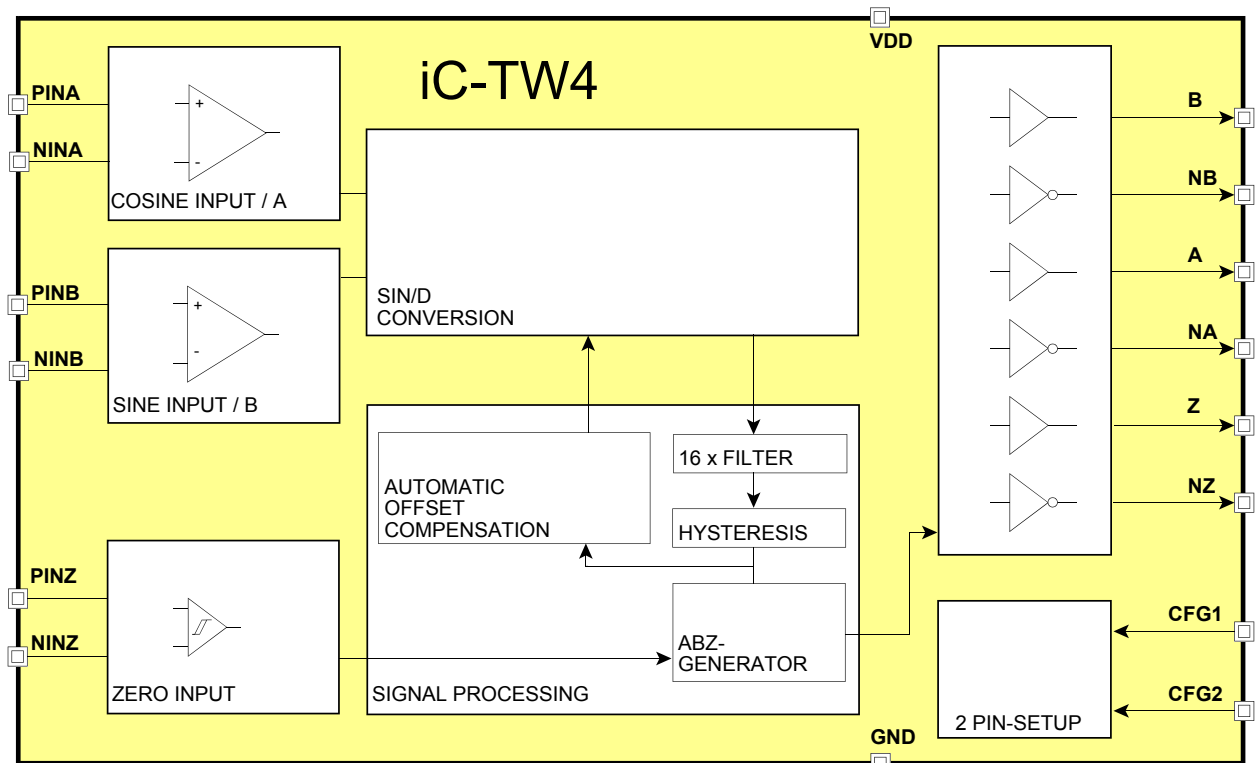
Optical and magnetic position sensors
 Rotary encoders
 Linear encoders
 Space constraint embedded solutions

PACKAGES



QFN24

BLOCK DIAGRAM



iC-TW4 PROGRAMMABLE INTERPOLATOR WITH AUTOMATIC OFFSET CORRECTION



Rev D1, Page 2/14

DESCRIPTION

iC-TW4, operating on single-ended supplies of 3.3 V to 5V, is a low cost interpolation device featuring an automatic signal conditioning and differential encoder quadrature outputs for cable drive.

The chip is pin configured with four external resistors and needs no micro controller or EEPROM for operation or configuration. An adaptive algorithm is used to automatically cancel sensor and input amplifier offset voltages, therefore eliminating the need for cumbersome system calibration.

The pin configuration selects for the interpolation between factors of x2 and x64, and adapts the input gain to cope with differential sensor signals between 10 mVpp to 1.5 Vpp.

The interpolation engine accepts two differential sinusoidal input signals (sine and cosine) to produce a highly interpolated incremental output signal. Sensor bridges are directly interfaced with no external components required.

iC-TW4 can also operate on single-ended input signals when tying the negative input terminals to the signal reference, usually VDD/2.

The index gating inputs can interface a wide range of index sensors, a Hall switch or MR bridge sensor, for instance. iC-TW4 generates the index pulse for every sine/cosine signal period that is released by the gating signal. The pulse output is one increment wide and is located at the positive crossover of the A versus the B inputs. By swapping pins PINA and NINA or pins PINB and NINB it is possible to achieve any desired phase relationship of the Z output versus the A and B outputs, respectively.

The device also supports a variety of test modes for device verification and production test. A built in power-on-reset circuit keeps the device in reset mode until the applied power supply voltage permits reliable operation.

CONTENTS

PACKAGES	3	CONFIGURATION	8
ABSOLUTE MAXIMUM RATINGS	4	Interpolation	8
THERMAL DATA	4	Performance	9
ELECTRICAL CHARACTERISTICS	5	Amplification	9
INPUT STAGE	7	Test Modes	9
Programmable Gain Amplifier	7	INDEX GATING	10
Automated Offset Adjustment	7	Calibration Mode	11
Limits of Automated Offset Adjustment	7	START UP	12
		TYPICAL APPLICATIONS	13

iC-TW4 PROGRAMMABLE INTERPOLATOR WITH AUTOMATIC OFFSET CORRECTION

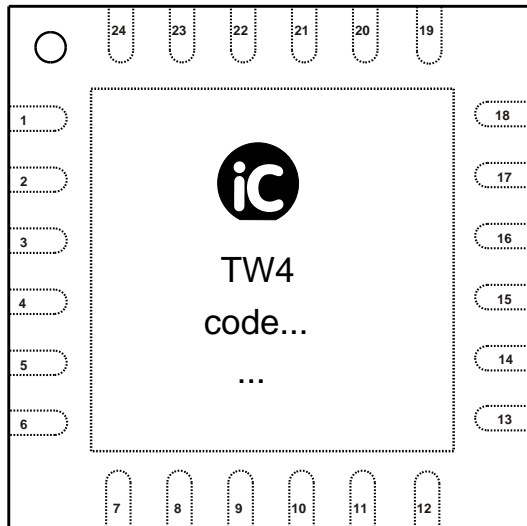


Rev D1, Page 3/14

PACKAGES

PIN CONFIGURATION QFN24 4 mm x 4 mm

Orientation of the package label (Ⓢ TW4 code...) is subject to change.



PIN FUNCTIONS

No.	Name	Function
1	n.c.	n.c.
2	NZ	Index Output Z-
3	B	Index Output B+
4	NB	Index Output B-
5	A	Index Output A+
6	n.c.	n.c.
7	n.c.	n.c.
8	NA	Index Output A-
9	GND	Ground
10	CFG1	Configuration Pin 1
11	CFG2	Configuration Pin 2
12	n.c.	n.c.
13	n.c.	n.c.
14	PINB	Pos. Signal Input Channel B
15	NINB	Neg. Signal Input Channel B
16	NINA	Neg. Signal Input Channel A
17	PINA	Pos. Signal Input Channel A
18	n.c.	n.c.
19	n.c.	n.c.
20	PINZ	Pos. Index Enable Input
21	NINZ	Neg. Index Enable Input
22	VDD	+3 V to 5 V Power Supply
23	Z	Index Output Z+
24	n.c.	n.c.
TP		<i>Thermal Pad</i>

The *Thermal Pad* of the QFN package (bottom side) is to be connected to a ground plane on the PCB which must have GND potential.

iC-TW4 PROGRAMMABLE INTERPOLATOR WITH AUTOMATIC OFFSET CORRECTION



Rev D1, Page 4/14

ABSOLUTE MAXIMUM RATINGS

These ratings do not imply operating conditions; functional operation is not guaranteed. Beyond these values damage may occur.

Item No.	Symbol	Parameter	Conditions			Unit
				Min.	Max.	
G001	VDD	Supply Voltage VDD	referenced to GND	-0.3	6	V
G002	V()	Voltage at PINA, NINA, PINB, NINB, PINZ, NINZ, A, NA, B, NB, Z, NZ, CFG1, CFG2	referenced to GND	-0.3	VDD + 0.5	V
G003	I()	Current in PINA, NINA, PINB, NINB, PINZ, NINZ, CFG1, CFG2, A, NA, B, NB, Z, NZ		-20	20	mA
G004	Vd	ESD Susceptibility Of Signal Output Pins: A, NA, B, NB, Z, NZ	HBM, 100 pF discharged through 1.5k Ω		2	kV
G005	Vd	ESD Susceptibility Of Remaining Pins: PINA, NINA, PINB, NINB, PINZ, NINZ, CFG1, CFG2	HBM, 100 pF discharged through 1.5k Ω		1.5	kV
G006	Tj	Junction Temperature		-40	125	$^{\circ}$ C
G007	Ts	Storage Temperature		-40	125	$^{\circ}$ C

THERMAL DATA

Item No.	Symbol	Parameter	Conditions				Unit
				Min.	Typ.	Max.	
T01	Ta	Operating Ambient Temperature		-40		125	$^{\circ}$ C
T02	Rthaj	Thermal Resistance Chip To Ambient	QFN24 surface mounted to PCB, following JEDEC 51		32		K/W

All voltages are referenced to ground unless otherwise stated.

All currents flowing into the device pins are positive; all currents flowing out of the device pins are negative.

iC-TW4 PROGRAMMABLE INTERPOLATOR WITH AUTOMATIC OFFSET CORRECTION



Rev D1, Page 5/14

ELECTRICAL CHARACTERISTICS

Operating conditions: VDD = 3.0...5.5 V, Ta = -40...125 °C, reference point GND unless otherwise stated

Item No.	Symbol	Parameter	Conditions				Unit
				Min.	Typ.	Max.	
Total Device							
001	VDD	Permissible Supply Voltage VDD		3.0		5.5	V
002	I(VDD)	Total Supply Current	VDD = 3.3 V; f(in) = 0 Hz VDD = 3.3 V; f(in) = 100 kHz VDD = 5.5 V; f(in) = 0 Hz VDD = 5.5 V; f(in) = 100 kHz			5 8 10 15	mA mA mA mA
003	Vc(hi)	Clamp-Voltage hi at all pins	Vc(hi) = V() - VDD; I() = 10 mA	0.5		1.2	V
004	Vc(lo)	Clamp-Voltage lo at all pins	I() = -10 mA	-1.2		-0.3	V
Amplifier Inputs PINA, NINA, PINB, NINB							
A01	Vin(sig)	Permissible Input Voltage Range		1.4		VDD - 1	V
A02	ΔG	Nominal Gain Step Size			6.0		dB
A03	AGA()	Absolute Gain Accuracy			±1		dB
A04	CGM	Gain Matching	G(CHA) vs. G(CHB)	0.85		1.15	
A05	Vos(in)	Input Referred Offset Voltage		-12		12	mV
A06	Vosr(out)	Output Referred Offset Correction Range			±248		mV
A07	fmax(in)	Maximum Input Frequency For Offset Correction				fosc /20000	
A08	Iik()	Input Current	V() = 0 .. VDD	-50		50	nA
Oscillator							
B01	fosc	Internal Oscillator Frequency	VDD = 3.0 V	15		24	MHz
B02	Δf(T)	Frequency Variation	Tj = -40 to 125°C, VDD const.	-20		0	%
B03	Δf(V)	Frequency Variation	VDD = 3.0 V to 5.5 V, Tj const.	0		25	%
Zero Input Signals PINZ, NINZ							
C01	Vin(sig)	Permissible Input Signal Range		0.0		VDD	V
C02	Vin(os)	Input Referred Offset Voltage		-15		15	mV
C03	Iik()	Input Current	V() = 0 .. VDD	-50		50	nA
Digital Outputs A, NA, B, NB, Z, NZ							
D01	I(max)	Permissible DC Load Current	source and sink, per pin	-10		10	mA
D02	Vs(hi)	Output Saturation Voltage hi	Vs(hi) = V(VDD) - V(); I() = -6 mA; VDD = 3.3 V +/- 10 % VDD = 5 V +/- 10 %			0.65 0.5	V V
D03	Isc(hi)	Short-Circuit Current hi	V() = GND; short-circuit time 10 ms maximum	-100		-10	mA
D04	Vs(lo)	Output Saturation Voltage lo	I() = 6 mA; VDD = 3.3 V +/- 10 % VDD = 5 V +/- 10 %			0.5 0.35	V V
D05	Isc(lo)	Short-Circuit Current lo	V() = VDD; short-circuit time 10 ms maximum	10		140	mA
D06	tr()	Rise Time	V(): 10 to 90%, VDD = 3.3 V, CL() = 10 pF			4	ns
D07	tf()	Fall Time	V(): 90 to 10%, VDD = 3.3 V, CL() = 10 pF			4	ns
D08	twhi	Duty Cycle at Output A, B	referred to period T, see Fig. 1		50		%
D09	tAB	Output Phase A vs. B	referred to period T, see Fig. 1		25		%
D10	tMTD	Minimum Transition Distance	see Fig. 1		1/fosc		

ELECTRICAL CHARACTERISTICS

Operating conditions: VDD = 3.0...5.5 V, Ta = -40...125 °C, reference point GND unless otherwise stated

Item No.	Symbol	Parameter	Conditions	Min.	Typ.	Max.	Unit
Signal Processing							
E01	AAabsOff	Absolute Angular Accuracy with offset error	referred to 360° input period; Vin = 1.2 Vpp diff; IPF = x64; initial error with offset at maximum	-45		45	DEG
E02	AAabs	Absolute Angular Accuracy following offset compensation	referred to 360° input period; Vin = 1.2 Vpp diff; IPF = x64; fin() = 35 Hz ... 700 Hz (constant); offset correction completed after > 160 input signal periods	-7		7	DEG
E03	AArel	Relative Angular Accuracy	see condition E02, but: IPF = x64 IPF = x2 to x32	-30 -20		30 20	% %
E04	ABrel	Relative Angular Accuracy A vs. B			1/2 AArel		%
Power-On-Reset And Configuration							
F01	VDDon	Turn-on Threshold VDD (power on release)			1.8		V
F02	tp(on)	Startup Delay				35	ms

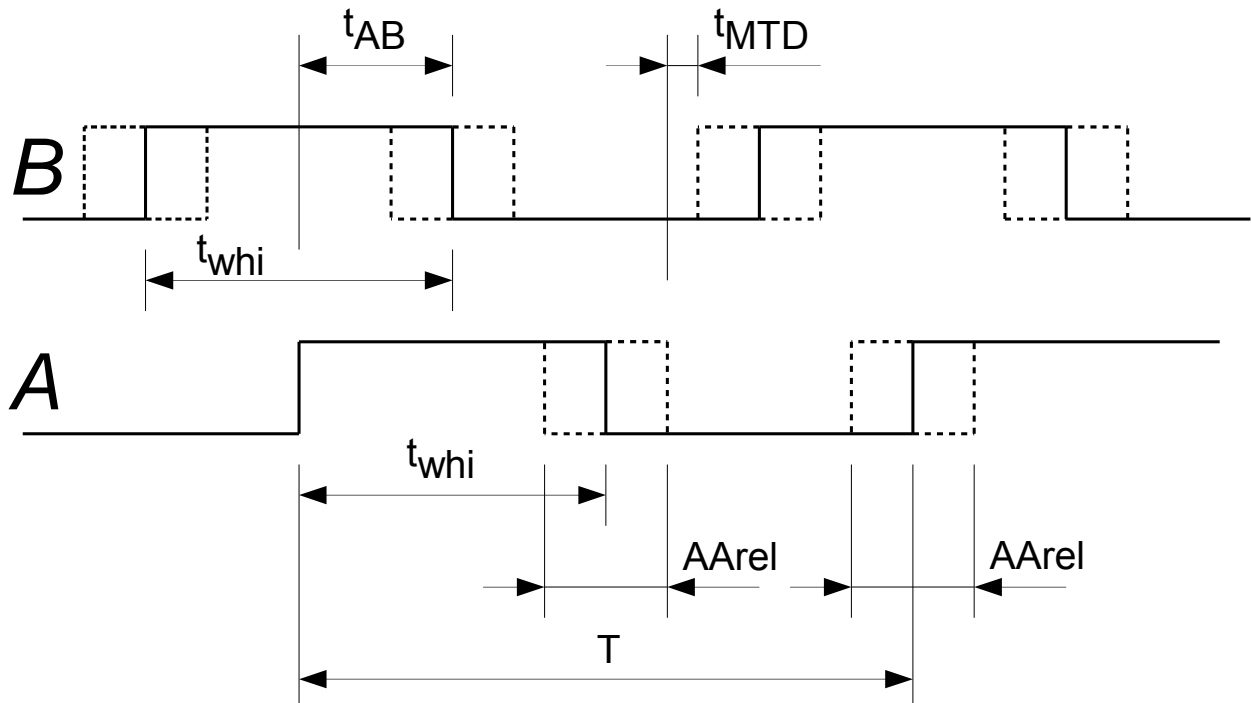


Figure 1: Relative phase distance

INPUT STAGE

Programmable Gain Amplifier

A programmable gain amplifier (PGA) with output referred offset adjustment is used as input stage, shown in Figure 2. The gain is common for both channel A and B and is programmed through pin CFG2.

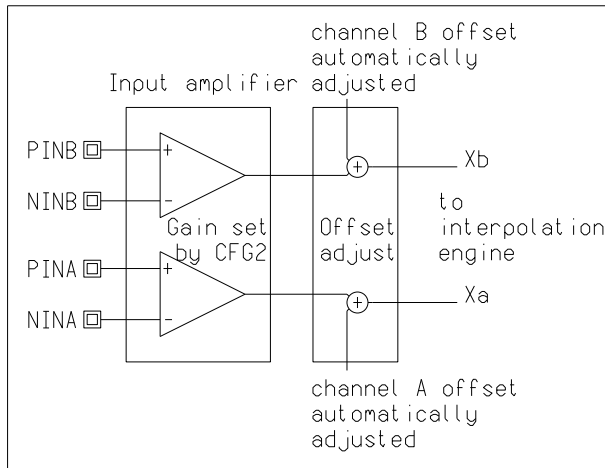


Figure 2: Input stage

Automated Offset Adjustment

Offset adjustment is provided at the output of the input amplifier. The offset correction is performed auto-

matically and continuously. Amplifier offset and sensor offset are both eliminated offering a true plug-and-play system. Additional device or sensor calibration is not required as the iC-TW4 does all calibration automatically. In addition, the effect of temperature dependent offset drift of both the amplifier and the sensor is eliminated.

Consider the Table 5 regarding the relationship between input signal peak-to-peak differential amplitude and resulting offset correction range. The sensor input signal offset must satisfy the requirement of Equation 1 as well as the limits set by Table 5. The sensor offset cannot lie outside of the correction range. Otherwise, the tracking engine is not able to converge.

Equation 1:

$$V_{AOFS}^2 + V_{BOFS}^2 < V_R^2$$

Parameter	Description	Unit
V_{AOFS}	Sensor offset input A	mV
V_{BOFS}	Sensor offset input B	mV
V_{IN}	Sensor input amplitude peak-peak differential	mV
V_R	$V_R = V_{IN}/2 - 12 \text{ mV}$	mV

Table 4: Parameters of equation

CFG2 configuration	Input signal range	Max allowed sensor offset*
0	800 mV - 1.5 V	±400 mV
1	400 mV - 800 mV	±232 mV
2	200 mV - 400 mV	±112 mV
3	100 mV - 200 mV	±50 mV
4	50 mV - 100 mV	±19 mV
5	25 mV - 50 mV	±3.5 mV
6	10 mV - 25 mV	[out of range]

* Notes: the values are based on amplifier input offset of ±12 mV.

Table 5: Input amplifier gain and offset

Limits of Automated Offset Adjustment

The Automated Offset Adjustment function is immune to monotonic acceleration (resp. deceleration) - i.e. changes in input frequency - over multiple (> 2) periods. Motion profiles with short steps or vibrations within up to 2 periods may accumulate offset and occasionally reduce accuracy to 1/8 of the period, which is +/-45 deg.

CONFIGURATION

The iC-TW4 is configured by applying the appropriate voltage and impedance on its configuration pins CFG1 and CFG2. A two-resistor voltage divider is sufficient to generate the required configuration voltage. The resistor divider must be connected to VDD and GND of iC-TW4. The resistors should be placed as close as possible to pin CFG1 and CFG2 and no decoupling capacitor should be used. The resistors tolerance must be 1 % to guarantee reliable operation across all parametric corners.

The configuration applied to pins CFG0 and CFG1 is not permitted to change during operation or unpredictable behaviour can result. In order to change the configuration a Power-On-Reset (POR) must be executed (power cycling).

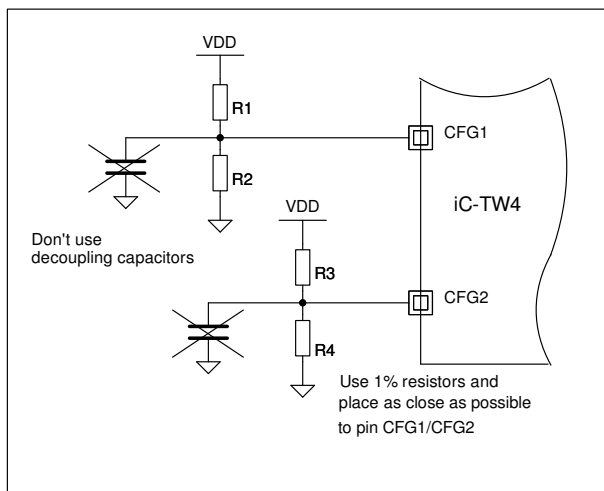


Figure 3: Configuration

Interpolation

The interpolation factor is configured through pin CFG1. The recommended resistor values shown in Table 6 should be used.

IPF(Interpolation)	Hysteresis	[V] at CFG1	R1 [kΩ]	R2 [kΩ]
x2 (8)	10.4 °	0.13 * VDD	22.6	3.48
x2 (8)	15.6 °	0.13 * VDD	562	86.6
x4 (16)	10.4 °	0.2 * VDD	15.0	3.74
x4 (16)	15.6 °	0.2 * VDD	374	93.1
x5 (20)	10.4 °	0.27 * VDD	11.3	4.12
x5 (20)	15.6 °	0.27 * VDD	280	102
x8 (32)	10.4 °	0.33 * VDD	8.87	4.53
x8 (32)	15.6 °	0.33 * VDD	226	113
x10 (40)	5.6 °	0.4 * VDD	7.50	4.99
x10 (40)	10.4 °	0.4 * VDD	187	124
x16 (64)	5.6 °	0.46 * VDD	6.49	5.62
x16 (64)	10.4 °	0.46 * VDD	162	140
x20 (80)	2.8 °	0.54 * VDD	5.62	6.49
x20 (80)	5.6 °	0.54 * VDD	140	162
x25 (100)	2.8 °	0.6 * VDD	4.99	7.50
x25 (100)	5.6 °	0.6 * VDD	124	187
x32 (128)	2.8 °	0.67 * VDD	4.53	8.87
x32 (128)	5.6 °	0.67 * VDD	113	226
x50 (200)	2.8 °	0.73 * VDD	4.12	11.3
x50 (200)	5.6 °	0.73 * VDD	102	280
x64 (256)	2.8 °	0.8 * VDD	3.74	15.0
x64 (256)	5.6 °	0.8 * VDD	93.1	15.0

Table 6: Interpolation configuration

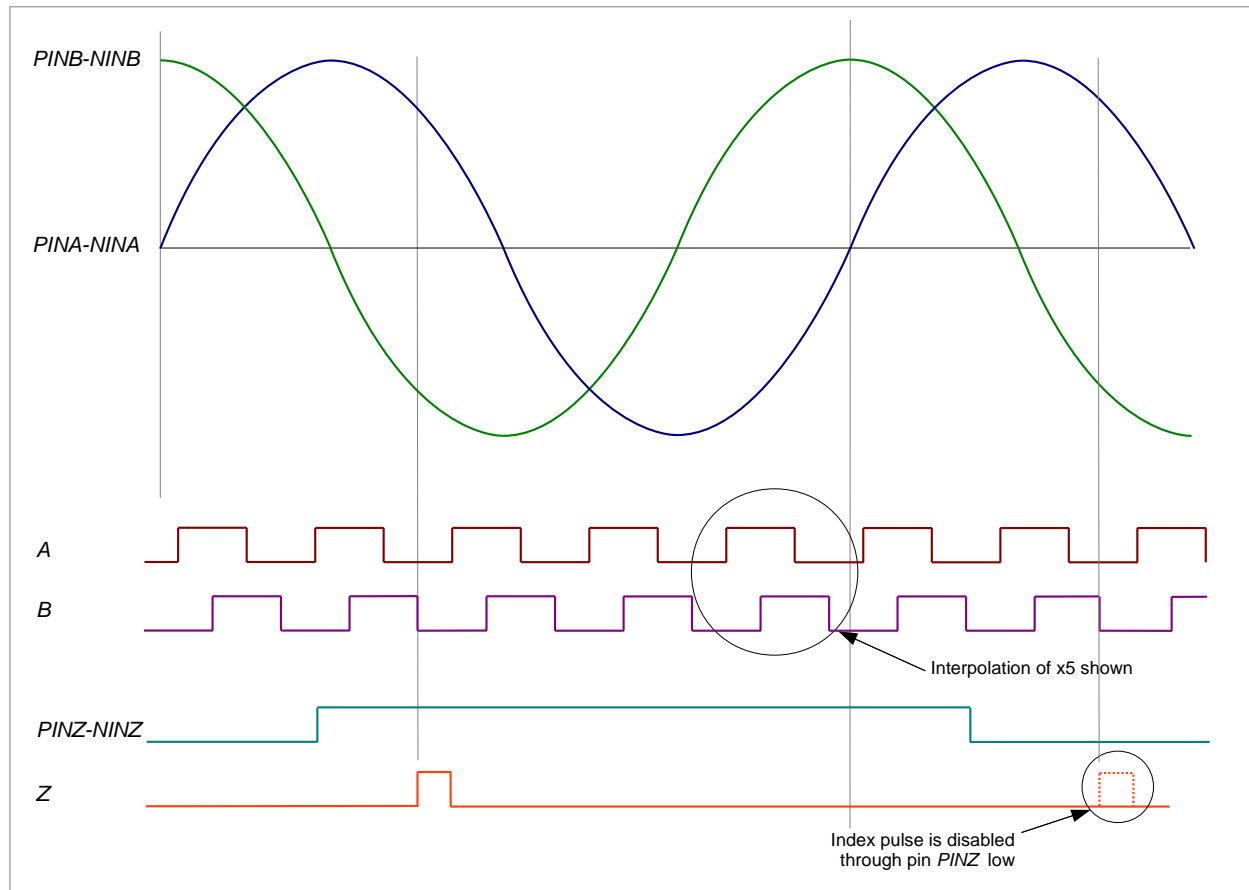


Figure 4: Interpolation function

Performance

The device performance depends primarily on the selected interpolation rate. However, parametric manufacturing tolerances as well as power supply voltage and temperature has a defining impact on corner performance. Typical performance refers to nominal wafer parameters. Due to manufacturing variations the actual performance can be $\pm 20\%$ of stated typical performance.

IPF	Typ. maximum input frequency
x2	300 kHz
x4	300 kHz
x5	300 kHz
x8	300 kHz
x10	150 kHz
x16	150 kHz
x20	75 kHz
x25	75 kHz
x32	75 kHz
x50	75 kHz
x64	75 kHz

Table 7: Frequency range

Typical performance at 25 °C, maximum input frequency at 125 °C is up to 10% lower

Amplification

The input amplifier gain is configured through pin CFG2. The recommended resistor values are shown in Table 8. 1% tolerance resistors must be used.

Input Amplitude, peak-peak differential	[V] at CFG2	R3 [kΩ]	R4 [kΩ]
0.8 V - 1.5 V	$0.13 * V_{DD}$	22.6	3.48
400 mV - 800 mV	$0.20 * V_{DD}$	15.0	3.74
200 mV - 400 mV	$0.27 * V_{DD}$	11.3	4.12
100 mV - 200 mV	$0.33 * V_{DD}$	8.87	4.53
50 mV - 100 mV	$0.40 * V_{DD}$	7.50	4.99
25 mV - 50 mV	$0.46 * V_{DD}$	6.49	5.62
10 mV - 25 mV	$0.54 * V_{DD}$	5.62	6.49
test only	$0.60 * V_{DD}$	4.99	7.50
reserved	$0.67 * V_{DD}$	4.53	8.87
reserved	$0.73 * V_{DD}$	4.12	11.3
reserved	$0.80 * V_{DD}$	3.74	15.0

Table 8: Gain configuration

Test Modes

The iC-TW4 supports a variety of test modes. With the exception of index calibration all test modes are used for device verification and production test only. Please refer to section "Index Gating" on page 10 for details on how to use the index calibration mode.

Test mode	[V] at CFG1	Z at CFG1	[V] at CFG2	Z at CFG2
PGA A	0.8 * VDD	< 3 kΩ	Refer to table 8	> 75 kΩ
PGA B	0.8 * VDD	> 75 kΩ	Refer to table 8	> 75 kΩ
Calib 1	0.87 * VDD	> 75 kΩ	Refer to table 8	< 3 kΩ
Index calibration	0.87 * VDD	< 3 kΩ	Refer to table 8	< 3 kΩ
Offset	0.87 * VDD	< 3 kΩ	Refer to table 8	> 75 kΩ
Vc	0.87 * VDD	> 75 kΩ	Refer to table 8	> 75 kΩ

Table 9: Test modes

INDEX GATING

The iC-TW4 can interface to a wide range of index gating sources. Most commonly used are the digital Hall sensor and the MR sensor bridge. The digital Hall sensor provides a large swing input signal to the iC-TW4. Depending on the polarity of the Hall it is either connected to pin NINZ or PINZ. Most Hall sensors use an

open drain stage pulling the output low in the presence of a magnetic field. The unused terminal NINZ or PINZ should be biased to an adequate mid voltage level to guarantee good noise margin. Refer to Figure 5 for sample configurations.

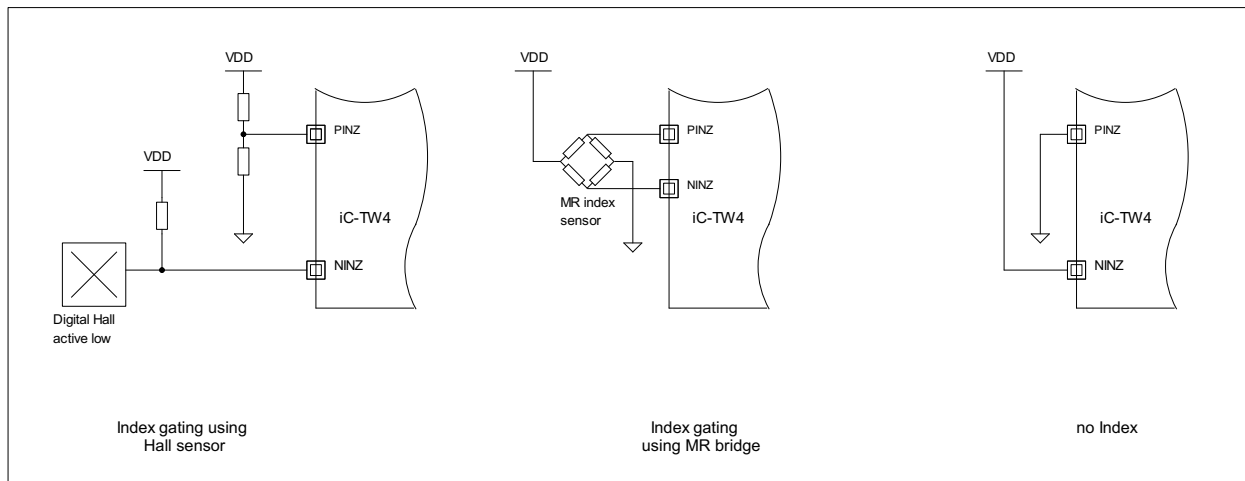


Figure 5: Index configuration

A MR sensor differential bridge can also be used to gate the index. Typically, the MR sensor provides a small signal amplitude. In addition, residual side lobes are present that can trigger double indexing. It might be necessary to externally adjust the sensor offset in order to fine-tune the desired threshold. The iC-TW4 provides a calibration mode, which allows the internal

gating window to be observed. This simplifies product calibration as variation in sensor offset can be easily compensated for. Figure 6 shows a correctly set threshold when using an MR gating sensor. The side lobes are below the threshold line and no parasitic triggering occurs.

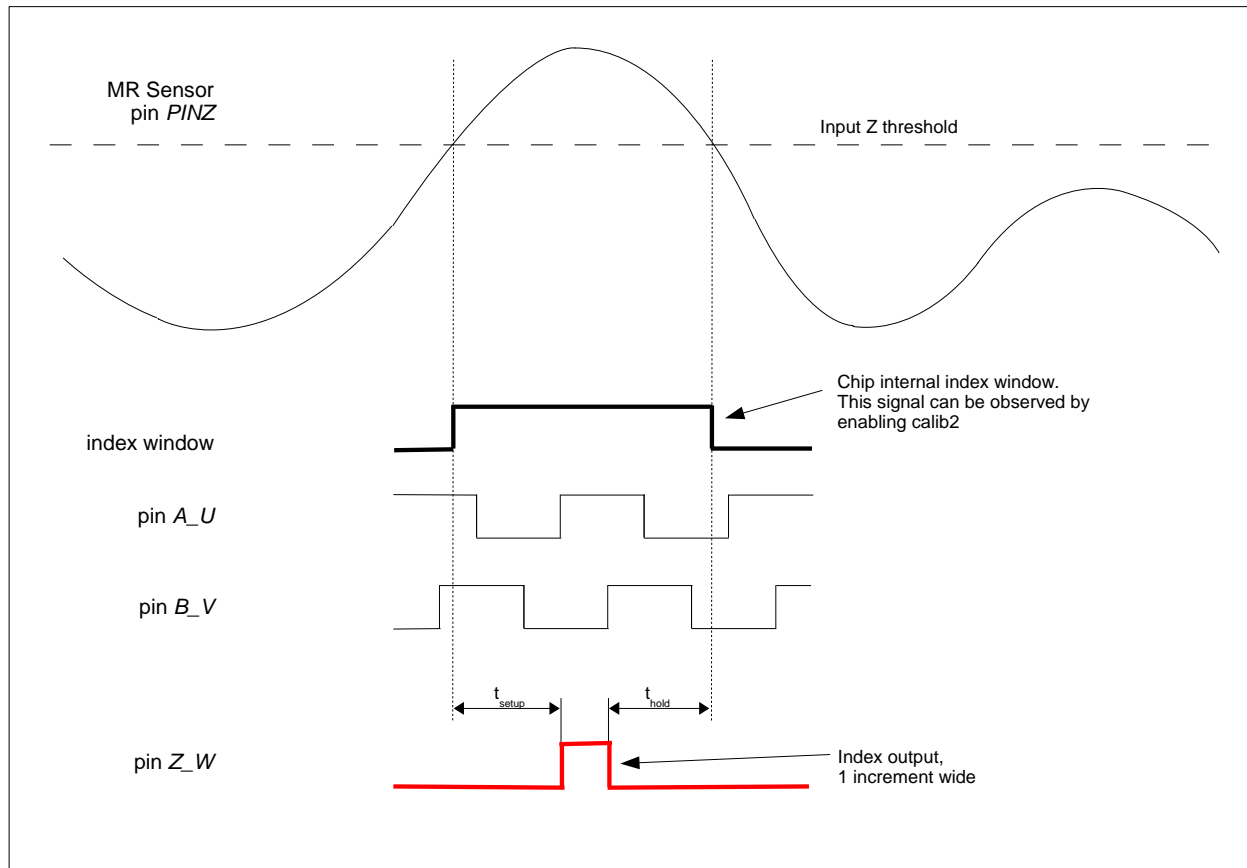


Figure 6: Index gating

Calibration Mode

The calibration mode is enabled by choosing the index calibration mode of Table 9. The internal index window can now be observed on pin B. Index gating should be calibrated at sine/cosine input frequencies below 5 kHz to minimize the effect of latency. Timings shown in Table 10 is valid for input frequencies below 5 kHz. Once the timing is satisfied according to Table 10, cor-

rect operation is guaranteed up to the maximum input frequency as specified in electrical characteristics No. A07.

Parameter	Description	Min
t_{setup}	Index window setup time before rising edge of Z	0.8 μs
t_{hold}	Index window hold time before falling edge of Z	0.8 μs

Table 10: Index gate timing

START UP

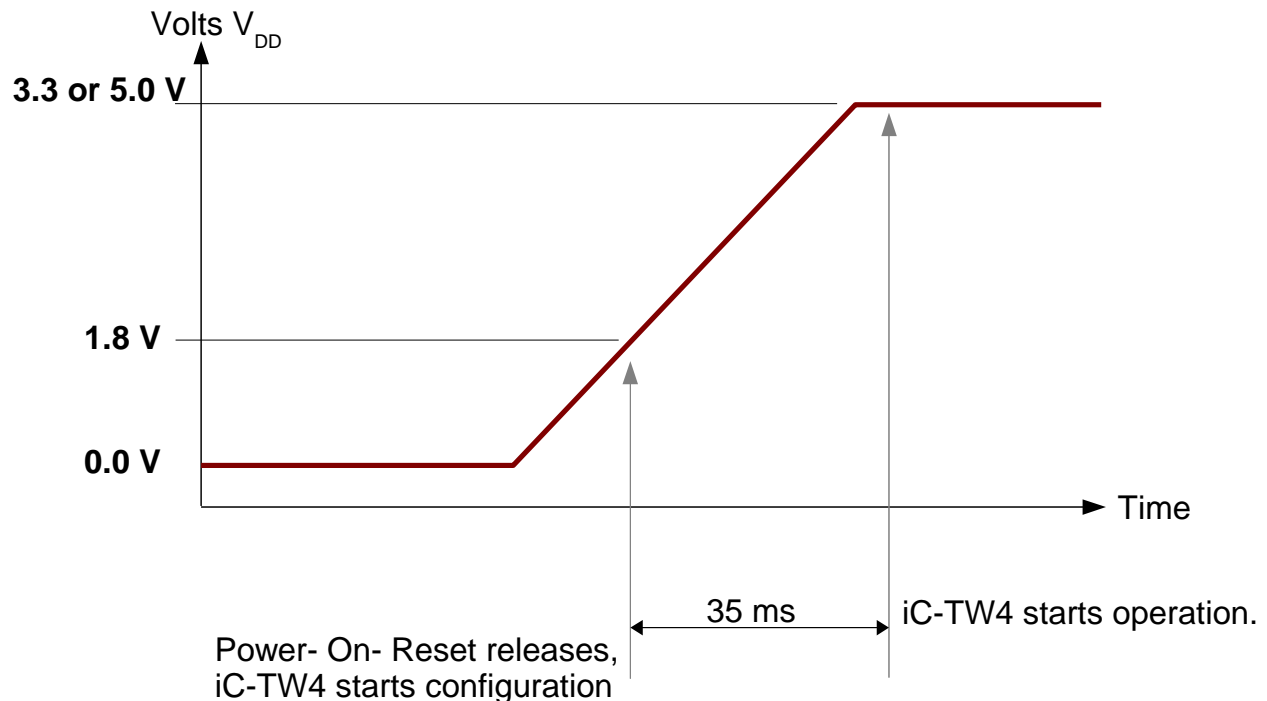


Figure 7: Power supply ramp-up

The iC-TW4 contains built-in Power-On-Reset (POR) circuitry. The POR keeps the device in reset as long as the applied power supply voltage does not allow reliable operation. Once the power supply ramps up above 1.8 V, the POR releases the reset and the iC-TW4 starts the configuration cycle. 35 ms after the device goes out of reset, normal operation begins.

The A/B signals on start-up follow reproducibly the stable input signal state with a stable A/B output state. No A/B bursts are output on start-up with a stable input signal state. The state of the A/B output signals is defined by the absolute sensor position within a period.

The phase relationship between Z and A/B is defined and persists.

Due to hysteresis it is possible that the A/B output differs on start-up from the levels on power down.

To avoid A/B output toggling while startup it is important that the power supply ramp-up is sufficiently fast and the input signals are stable as soon as normal operation begins. In applications where startup A/B toggling is acceptable, no precaution must be taken, as the iC-TW4 will properly power-up on an indefinitely slow supply rise time.

TYPICAL APPLICATIONS

Figure 8 shows a device setup with an unipolar sensor signal. With the resistors R1, R2, R3, R4 and R5 it is possible to adjust to the sensor signal (compensation of amplitude, reference voltage, and sensor supply).

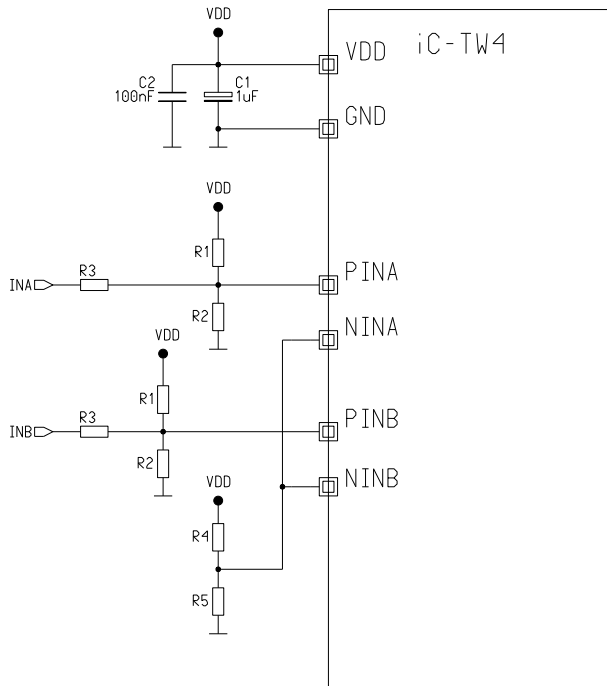


Figure 8: Unipolar sensor signal adaption using resistors

Figure 9 shows a typical device setup with a sensor being connected to the input stages via differential bridges. Index gating uses a differential bridge as well. Note also that it is advisable to decouple the supply voltage with a capacitor. Resistor sizes on pins CFG1 and CFG2 need to be chosen in accordance with the desired operation mode. Refer to Table 6 for more details.

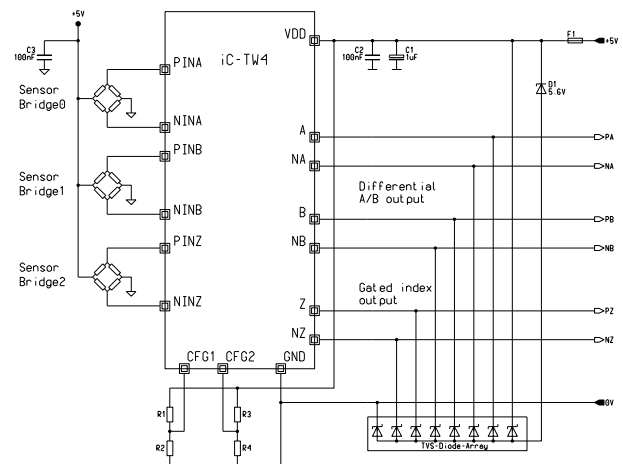


Figure 9: Device setup using bridges

iC-Haus expressly reserves the right to change its products and/or specifications. An Infoletter gives details as to any amendments and additions made to the relevant current specifications on our internet website www.ichaus.de/infoletter; this letter is generated automatically and shall be sent to registered users by email.

Copying – even as an excerpt – is only permitted with iC-Haus approval in writing and precise reference to source.

iC-Haus does not warrant the accuracy, completeness or timeliness of the specification on this site and does not assume liability for any errors or omissions in the materials. The data specified is intended solely for the purpose of product description. No representations or warranties, either express or implied, of merchantability, fitness for a particular purpose or of any other nature are made hereunder with respect to information/specification or the products to which information refers and no guarantee with respect to compliance to the intended use is given. In particular, this also applies to the stated possible applications or areas of applications of the product.

iC-Haus conveys no patent, copyright, mask work right or other trade mark right to this product. iC-Haus assumes no liability for any patent and/or other trade mark rights of a third party resulting from processing or handling of the product and/or any other use of the product.

As a general rule our developments, IPs, principle circuitry and range of Integrated Circuits are suitable and specifically designed for appropriate use in technical applications, such as in devices, systems and any kind of technical equipment, in so far as they do not infringe existing patent rights. In principle the range of use is limitless in a technical sense and refers to the products listed in the inventory of goods compiled for the 2008 and following export trade statistics issued annually by the Bureau of Statistics in Wiesbaden, for example, or to any product in the product catalogue published for the 2007 and following exhibitions in Hanover (Hannover-Messe).

We understand suitable application of our published designs to be state-of-the-art technology which can no longer be classed as inventive under the stipulations of patent law. Our explicit application notes are to be treated only as mere examples of the many possible and extremely advantageous uses our products can be put to.

iC-TW4 PROGRAMMABLE INTERPOLATOR WITH AUTOMATIC OFFSET CORRECTION



Rev D1, Page 14/14

ORDERING INFORMATION

Type	Package	Order Designation
iC-TW4 Evaluation board	24 pin QFN, 4 mm x 4 mm	iC-TW4 QFN24 iC-TW4 EVAL TW41D

For technical support, information about prices and terms of delivery please contact:

iC-Haus GmbH
Am Kuemmerling 18
D-55294 Bodenheim
GERMANY

Tel.: +49 (61 35) 92 92-0
Fax: +49 (61 35) 92 92-192
Web: <http://www.ichaus.com>
E-Mail: sales@ichaus.com

Appointed local distributors: http://www.ichaus.com/sales_partners