

**PLEASE CHECK WWW.MOLEX.COM FOR LATEST PART INFORMATION**

**Part Number:** [0945294212](#)  
**Status:** **Active**  
**Description:** 5.00mm (.197") Pitch RAST, Receptacle, Black Color, PA Polyamide (Nylon) 6/6, 12 Circuits, Glow Wire Compatible

**Documents:**

[Drawing \(PDF\)](#) [Product Specification PS-94529-002 \(PDF\)](#)  
[Product Specification PS-94529-001 \(PDF\)](#) [RoHS Certificate of Compliance \(PDF\)](#)

**Agency Certification**

CSA LR19980  
 UL E29179

**General**

Product Family Crimp Housings  
 Series [94529](#)  
 Product Name Pitch 5 Edge Card

**Physical**

Breakaway No  
 Circuits (maximum) 12  
 Color - Resin Black  
 Flammability 94V-0  
 Gender Female  
 Glow-Wire Compliant Yes  
 Lock to Mating Part Yes  
 Material - Resin Nylon  
 Number of Rows 1  
 Packaging Type Bag  
 Panel Mount No  
 Pitch - Mating Interface (in) 0.197 In  
 Pitch - Mating Interface (mm) 5.00 mm  
 Pitch - Term. Interface (in) 0.197 In  
 Pitch - Term. Interface (mm) 5.00 mm  
 Polarized to Mating Part Yes  
 Ports 1  
 Stackable No  
 Temperature Range - Operating -40°C to +105°C, -40°C to +85°C

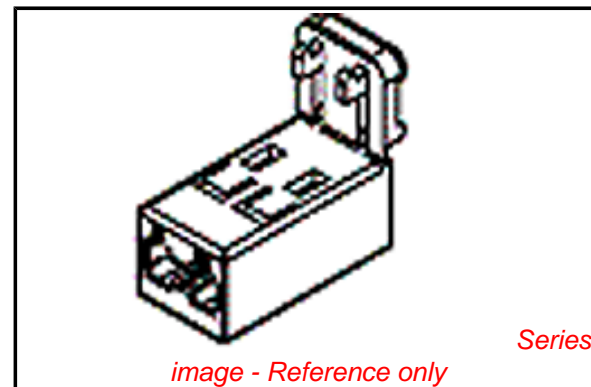
**Electrical**

Current - Maximum per Contact 6A

**Material Info**

**Reference - Drawing Numbers**

Product Specification PS-94529-001, PS-94529-002  
 Sales Drawing SD-94529-012



**EU RoHS**

**ELV and RoHS  
 Compliant**  
**REACH SVHC  
 Not Reviewed**  
**Halogen-Free  
 Status  
 Not Reviewed**

**China RoHS**



**Need more information on product  
 environmental compliance?**

Email [productcompliance@molex.com](mailto:productcompliance@molex.com)  
 For a multiple part number RoHS Certificate of Compliance, [click here](#)

Please visit the [Contact Us](#) section for any non-product compliance questions.

**Search Parts in this Series**

[94529Series](#)

**Mates With**

PCB thickness 1.50mm (.059")

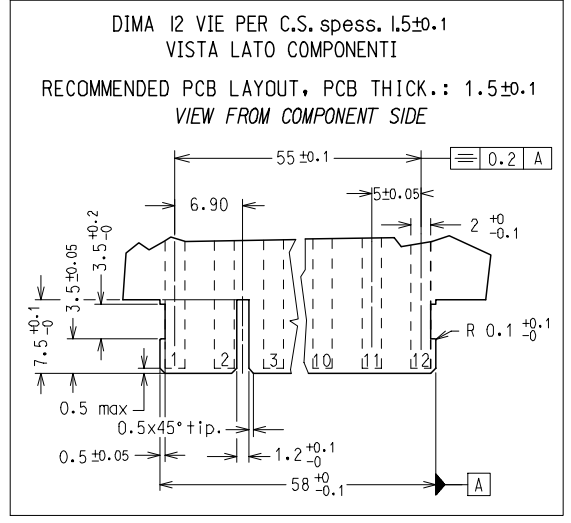
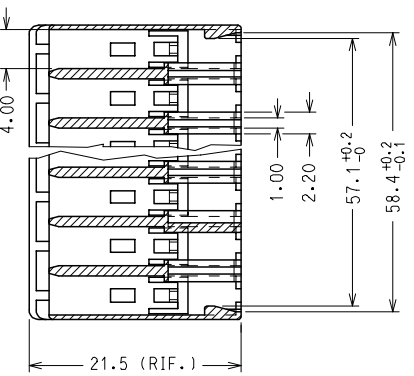
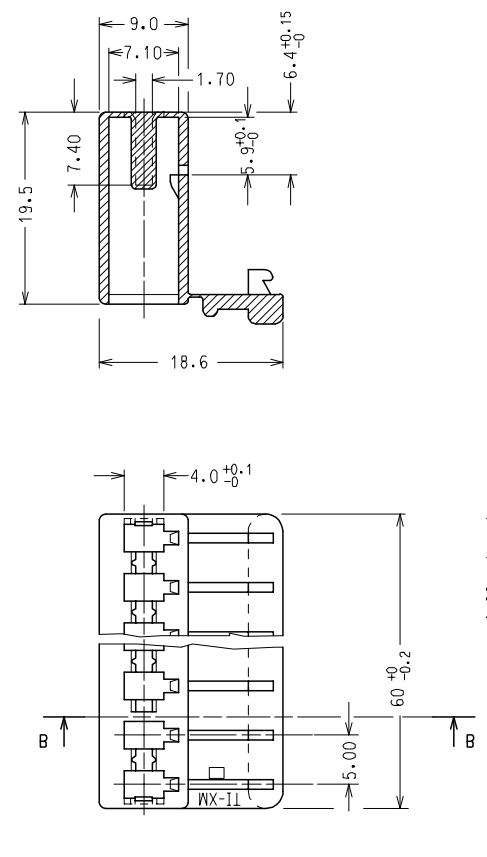
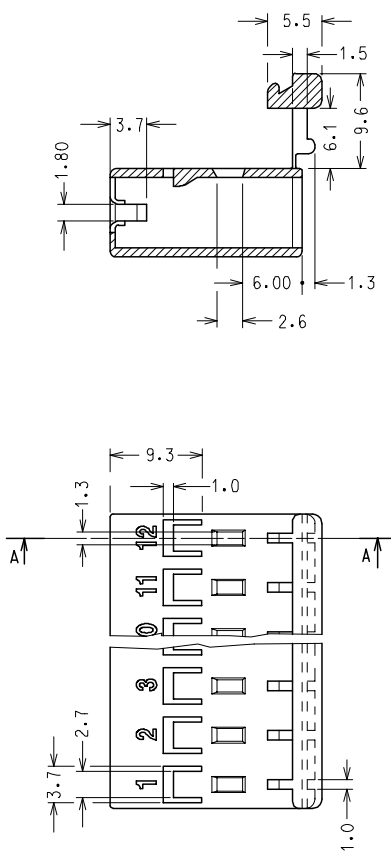
**Use With**

[94529-1203 Terminal](#)

10 9 8 7 6 5 4 3 2 1

SECTION A-A

SECTION B-B



CODICE	P/N	COLORE	MATERIALE
94529-9112		NATURALE (NATURAL)	PA 66 UL94 V2 GWT 850°C
94529-9212		NERO (BLACK)	
94529-7112		NATURALE (NATURAL)	PA 66 UL94 V0
94529-4112		NATURALE (NATURAL)	NYLON 6.6 GWT 750 °C sec. IEC 60335-1
94529-4212		NERO (BLACK)	TEST METHOD IEC 60695-2-11

NOTA: LE DIMENSIONI VANNO MISURATE CON CORPI STABILIZZATI SECONDO NG 2301. (AUMENTO IN PESO DEL 2.7 %)

NOTE: PARTS SHALL BE DIMENSIONALLY CHECKED AFTER ATTAINING EQUILIBRIUM CONDITIONS E.G. 2% INCREASE IN WEIGHT FOR HUMIDITY ABSORPTION FROM DRY STATUS.

CARATTERISTICHE PRODOTTO SECONDO PS-94529  
PRODUCT CHARACTERISTICS ACCORDING TO PS-94529 E

CONFEZIONE: 1800 pz. IN SCATOLA  
PACKAGING: 1800 pcs IN CARTON BOX

SPQ: 1800 pzs. Descr. Std: HSG FOR FORK TERMINAL 12 CKT

EC NO: Z2006-0107 DRWN: FGOTTARDI 005/12/20 CHKD: RSANDANI 005/12/20 APPR: GZUINI 2006/01/09 B4	QUALITY SYMBOLS	GENERAL TOLERANCES (UNLESS SPECIFIED)	SCALE 2:1	DESIGN UNITS METRIC	FIRST ANGLE PROJECTION	REVISE ON CAD ONLY																								
	DESCRIPTION ▲ -0 ▽ -0	<table border="1"> <thead> <tr> <th></th> <th>mm</th> <th>INCH</th> </tr> </thead> <tbody> <tr> <td>4 PLACES</td> <td>± ---</td> <td>± ---</td> </tr> <tr> <td>3 PLACES</td> <td>± ---</td> <td>± ---</td> </tr> <tr> <td>2 PLACES</td> <td>± 0.10</td> <td>± ---</td> </tr> <tr> <td>1 PLACE</td> <td>± 0.2</td> <td>± ---</td> </tr> </tbody> </table>		mm	INCH	4 PLACES	± ---	± ---	3 PLACES	± ---	± ---	2 PLACES	± 0.10	± ---	1 PLACE	± 0.2	± ---	<table border="1"> <thead> <tr> <th colspan="2">DIMENSION STYLE</th> </tr> <tr> <th>mm ONLY</th> <th>TITLE</th> </tr> </thead> <tbody> <tr> <td>DRAWN BY FGOTTARDI</td> <td>DATE 2000/01/25</td> </tr> <tr> <td>CHECKED BY MTESTAGU</td> <td>DATE 2000/01/25</td> </tr> <tr> <td>APPROVED BY RMARTUCC</td> <td>DATE 2000/01/25</td> </tr> </tbody> </table>	DIMENSION STYLE		mm ONLY	TITLE	DRAWN BY FGOTTARDI	DATE 2000/01/25	CHECKED BY MTESTAGU	DATE 2000/01/25	APPROVED BY RMARTUCC	DATE 2000/01/25	12 CKT HOUSING FOR STRAIGHT FORK TERMINAL	
			mm	INCH																										
		4 PLACES	± ---	± ---																										
3 PLACES	± ---	± ---																												
2 PLACES	± 0.10	± ---																												
1 PLACE	± 0.2	± ---																												
DIMENSION STYLE																														
mm ONLY	TITLE																													
DRAWN BY FGOTTARDI	DATE 2000/01/25																													
CHECKED BY MTESTAGU	DATE 2000/01/25																													
APPROVED BY RMARTUCC	DATE 2000/01/25																													
DRAFT WHERE APPLICABLE MUST REMAIN WITHIN DIMENSIONS	MOLEX MOLEX INCORPORATED		MATERIAL NO. SEE TABLE	DOCUMENT NO. SD-94529-012	SHEET NO. 1 OF 1																									

THIS DRAWING CONTAINS INFORMATION THAT IS PROPRIETARY TO MOLEX INCORPORATED AND SHOULD NOT BE USED WITHOUT WRITTEN PERMISSION

9 8 7 6 5 4 3 2 1