

PLEASE CHECK WWW.MOLEX.COM FOR LATEST PART INFORMATION

Part Number: [0987861018](#)
Status: **Active**
Overview: [mox crimp terminals](#)
Description: 2.54mm (.100") Pitch MOX Receptacle Housing, 6 Circuits, Dual Row, Gray

Documents:

[Application Specification \(PDF\)](#) [RoHS Certificate of Compliance \(PDF\)](#)
[Drawing \(PDF\)](#)

General

Product Family	Crimp Housings
Series	98786
Comments	2x3 Circuits, Contact Retentio Force without secondary locking: 40N, with secondary locking: 60N
Overview	mox crimp terminals
Product Name	MOX

Physical

Circuits (maximum)	6
Color - Resin	Gray
Gender	Female
Glow-Wire Compliant	No
Keying to Mating Part	None
Lock to Mating Part	Yes
Material - Resin	Nylon
Number of Rows	2
Packaging Type	Bag
Panel Mount	No
Pitch - Mating Interface (in)	0.100 In
Pitch - Mating Interface (mm)	2.54 mm
Pitch - Term. Interface (in)	0.100 In
Pitch - Term. Interface (mm)	2.54 mm
Polarized to Mating Part	Yes
Stackable	No
Temperature Range - Operating	-40°C to +100°C

Electrical

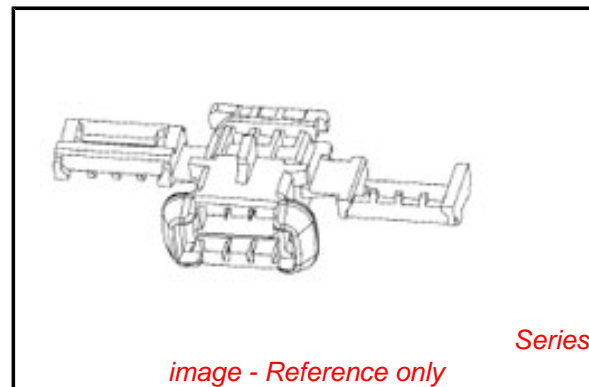
Current - Maximum per Contact	7.5A
-------------------------------	------

Material Info

Old Part Number	49908228
-----------------	----------

Reference - Drawing Numbers

Application Specification	AS-98787-001
Packaging Specification	PK-98786-001
Sales Drawing	SD-98786-001



EU RoHS

ELV and RoHS Compliant
REACH SVHC Contains SVHC: No
Halogen-Free Status
Not Reviewed

China RoHS



Need more information on product environmental compliance?

Email productcompliance@molex.com
 For a multiple part number RoHS Certificate of Compliance, [click here](#)

Please visit the [Contact Us](#) section for any non-product compliance questions.

Search Parts in this Series

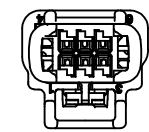
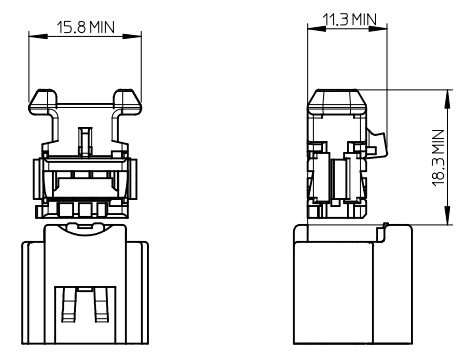
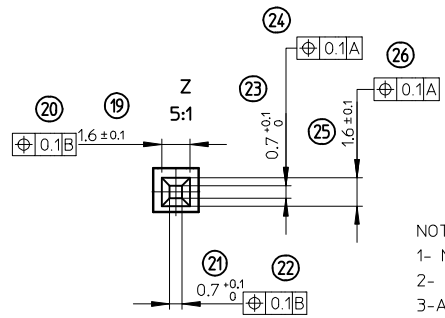
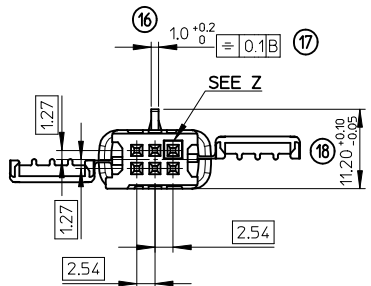
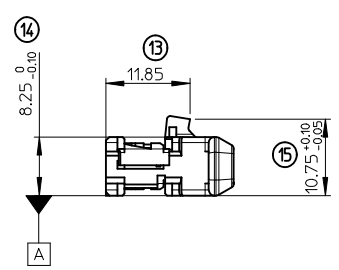
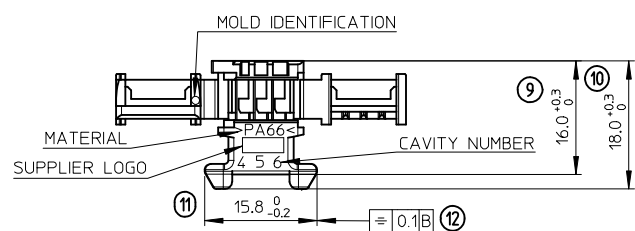
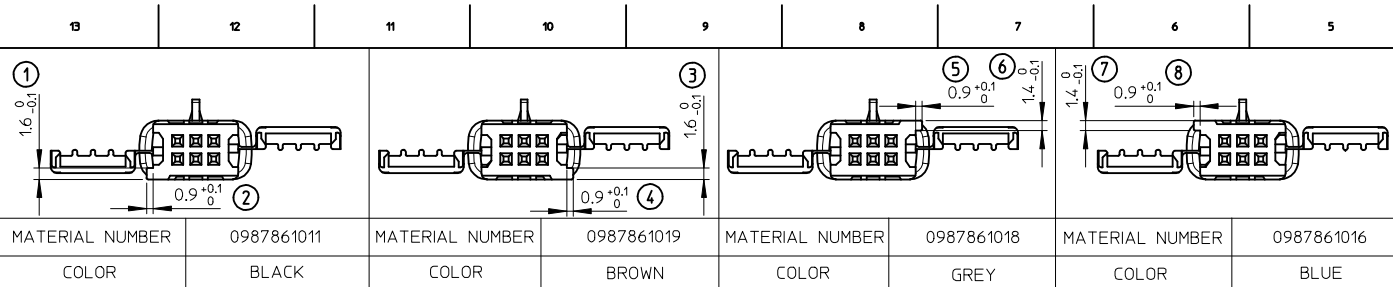
[98786Series](#)

Mates With

[98780](#) Male Header, [98787](#) MOX Plug Housing

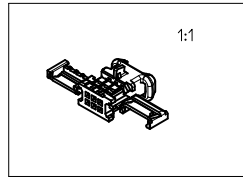
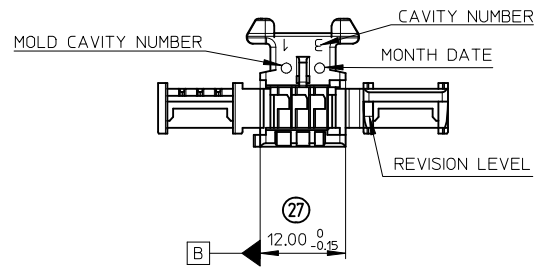
Use With

[98658](#) MOX Crimp Terminal



NECESSARY VOLUME FOR THE HOUSING ASSEMBLY.
ALLOW AN ADDITIONAL VOLUME FOR THE UNMATING

- NOTES:
- 1- MATERIAL : POLYAMIDE (PA66) UNFILLED UL94V-2
 - 2- USE WITH : 98658 (MOX 0.63 TERMINAL)
 - 3-APPLICATION SPECIFICATION : AS-98787-001
 - 4-MATE WITH : SERIES 98787 , 98780
 - 5-WEIGHT : 1.060 g



FIRST RELEASE EC NO: G2008-0366 DRAWN: VGUERIN 2008/03/25 CHKD: JLDUCLOS 2008/03/25 APPR: LSTICKEIR 2008/03/27	DESCRIPTION	GENERAL TOLERANCES (UNLESS SPECIFIED)		DIMENSION STYLE	SCALE	DESIGN UNITS	FIRST ANGLE	
				MM ONLY	2:1	METRIC	PROJECTION	
				DRAWN BY	DATE	TITLE		
				VGUERIN	2008/03/07	MOX RCPT HSG 0.635 CEM 6CKT		
				CHECKED BY	DATE			
				JLDUCLOS	2008/03/07			
				APPROVED BY	DATE			
				LSTICKEIR	2008/03/07			
				MATERIAL NO.	DOCUMENT NO.			
				SEE CHART		SD-98786-001		
				THIS DRAWING CONTAINS INFORMATION THAT IS PROPRIETARY TO MOLEX INCORPORATED AND SHOULD NOT BE USED WITHOUT WRITTEN PERMISSION			SHEET NO.	
							1 OF 1	