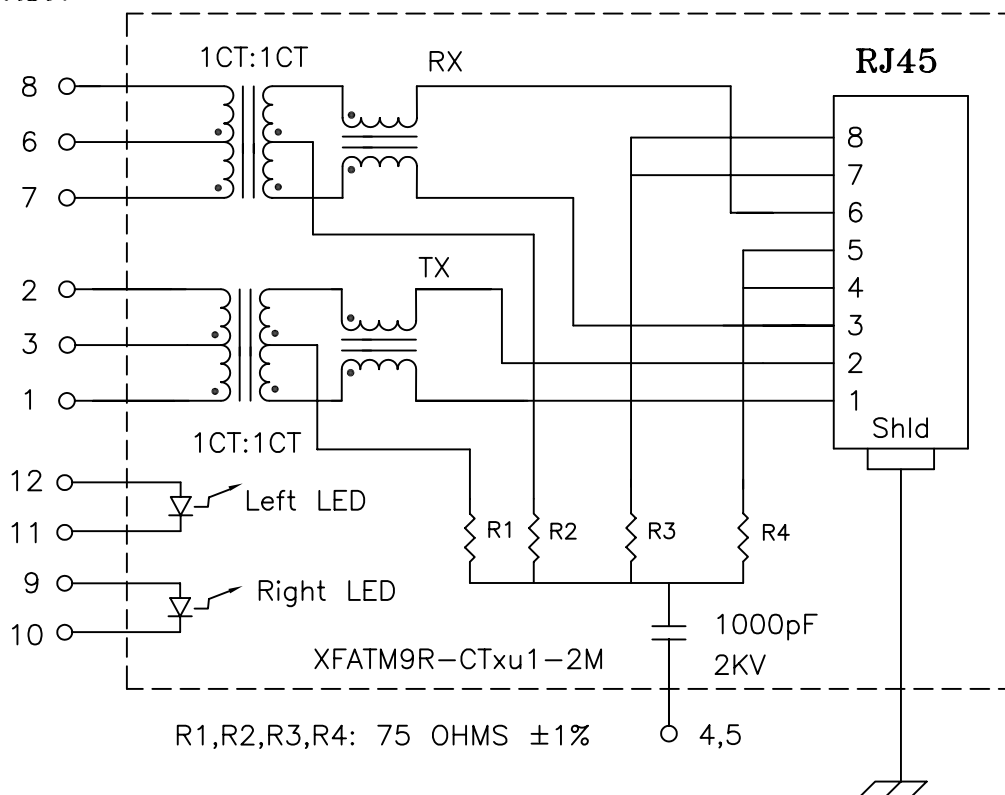


# Schematic:



## Electrical Specifications: @25°C

- Isolation Voltage: 1500Vac (Input to Output)
- Isolation Voltage: 500Vac, Pins 1+2+3 to 6+7+8
- Turns Ratio: TX 1CT:1CT ±3% RX 1CT:1CT ±3%
- CABLE SIDE OCL: 350uH Minimum @100KHz 100mV 8mA<sub>dc</sub>
- C<sub>w/w</sub>: 27pF Typical @100KHz 100mV
- Insertion Loss: -1.0dB Max @1-65MHz
- Return Loss: -20dB Typ @1-10MHz  
 -16dB Typ @10-30MHz  
 -12dB Typ @30-60MHz  
 -10dB Typ @60-80MHz
- Crosstalk: -40dB Typ @1-30MHz  
 -35dB Typ @30-60MHz  
 -30dB Typ @60-100MHz
- CMRR: -30dB Typ @1-50MHz  
 -20 dB Typ @50-150MHz

### Notes:

1. Solderability: Leads shall meet MIL-STD-202G, Method 208H for solderability.
2. Flammability: UL94V-0
3. ASTM oxygen index: > 28%
4. Insulation System: Class F 155°C. UL file E151556
5. Operating Temperature Range: All listed parameters are to be within tolerance from -40°C to +85°C
6. Storage Temperature Range: -55°C to +125°C
7. Aqueous wash compatible
8. Electrical and mechanical specifications 100% tested
9. RoHS Compliant Component

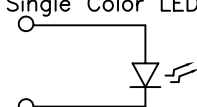
DOC REV: A/3

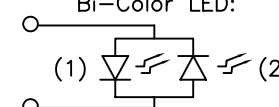
Complete the Combo P/N as follows:

Replace 'x' & 'u' in the part number with one of the LED color letters:

Y=Yellow	'x' = Left LED Color
G=Green	'u' = Right LED Color
A=Amber	
R=Red	

C=Green(1)/Amber(2) Bicolor  
 D=Amber(1)/Green(2) Bicolor  
 M=Green(1)/Yellow(2) Bicolor  
 N=Yellow(1)/Green(2) Bicolor  
 P=Red(1)/Green(2) Bicolor  
 Q=Green(1)/Red(2) Bicolor  
 E=Red(1)/Yellow(2) Bicolor  
 F=Yellow(1)/Red(2) Bicolor  
 H=Amber(1)/Yellow(2) Bicolor

Single Color LED: 

Bi-Color LED: 

# PROPRIETARY

Document is the property of XFMRs Group & is not allowed to be duplicated without authorization.

**XFMRs Inc.**  
www.XFMRs.com

Title:  
SINGLE PORT TAB UP COMBO

UNLESS OTHERWISE SPECIFIED

P/N: XFATM9R-CTxu1-2M

REV. A

TOLERANCES:  
.xxx ±0.010

DWN.

罗振江

Oct-18-05

Dimensions in Inch

CHK.

廖玉坤

Oct-18-05

SHEET 1 OF 2

APP.

Isaiah M

Oct-18-05

